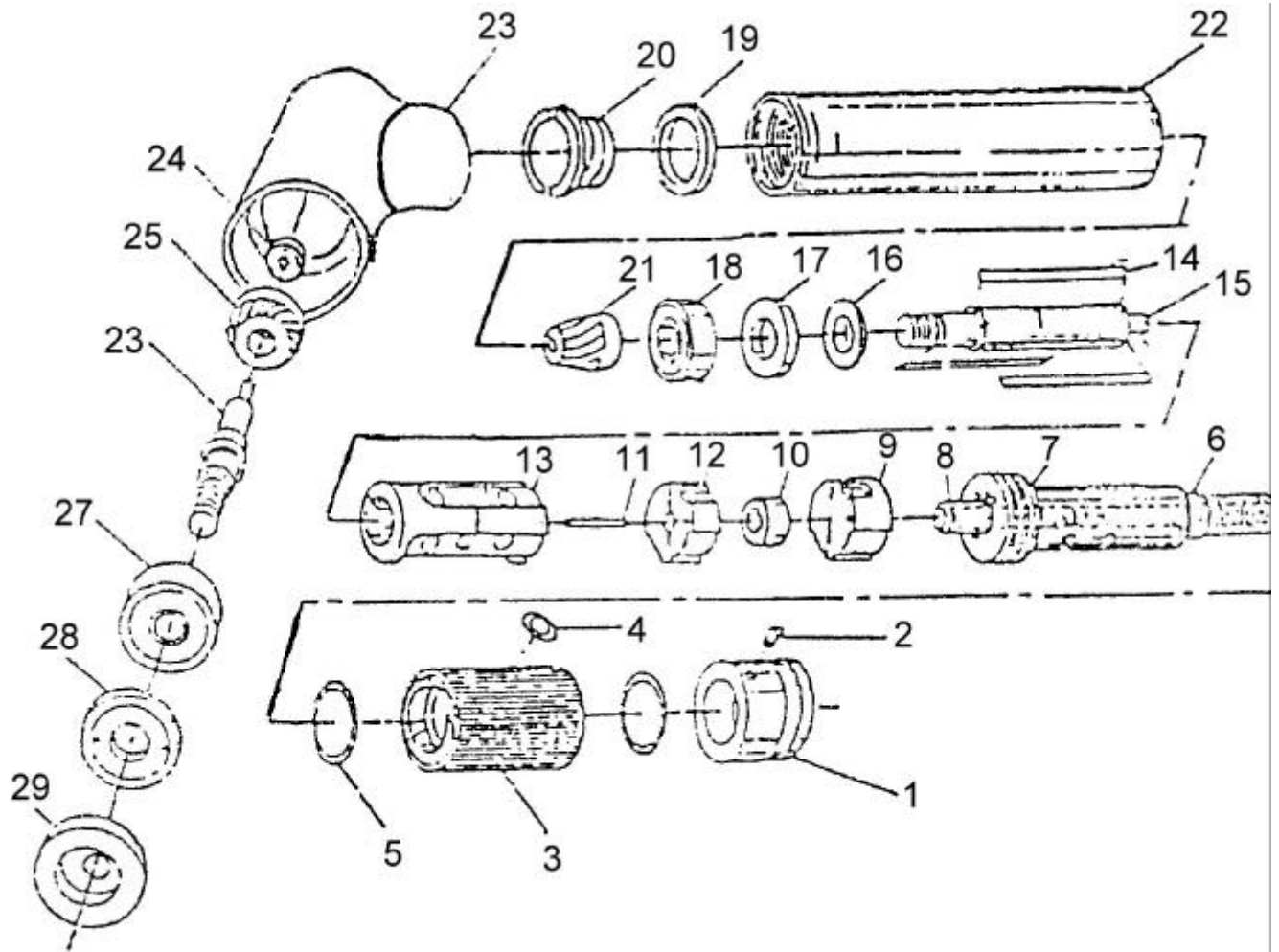


# GISON Pneumatic Tools

## GP-8241 30mm Angle Grinder/Sander



### PARTS LIST

✧ : Consuming Part

Item No.	Part No.	Description	Qty.	Item No.	Part No.	Description	Qty.
1	824101	Rear End Holder	1	15	824115	Rotor	1
2	824102	Screw	1	16	824116	Spacer	1
3	824103	Sliding Knob	1	17	824117	Lateral Disc	1
4	824104	O-Ring	1	✧ 18	824118	Ball Bearing	1
5	824105	O-Ring	2	19	824119	Brass Lock Screw	1
6	824106	Hose Plug	1	20	824120	Brass Spacer	1
7	824107	Pin	1	21	824121	Screw Gear	1
8	824108	Intake Stainless Steel tube	1	22	824122	Sleeve	1
9	824109	Intake Plate	1	23	824123	Bend Shell	1
✧ 10	824110	Ball Beang	1	✧ 24	824124	Ball Bearing	1
11	824111	Pin	1	25	824125	Screw Gear	1
12	824112	Bearing Plate	1	26	824126	Driven Shaft	1
13	824113	Cylinder	1	✧ 27	824127	Ball Bearing	1
✧ 14	824114	Rotor Blade	3	28	824128	Chuck Screw	1
				29	824129	Guard Cover	1

**Application:** Ideal for grinding metal model, machine processing, engrave wood, and parts processing.

#### Features:

- It can handle 1/8" and 3 mm capacity collet chuck.
- Easy-to-handle roll type throttle for instant adjustment of speed.
- Built-in silencer for quiet operation.
- Ultra precision bearings support the rotating parts for true running.
- Air motor for high speed operation less heating.
- Interchangeable with various heads for wide application.
- It has good motor at 20,000~22,000 RPM.