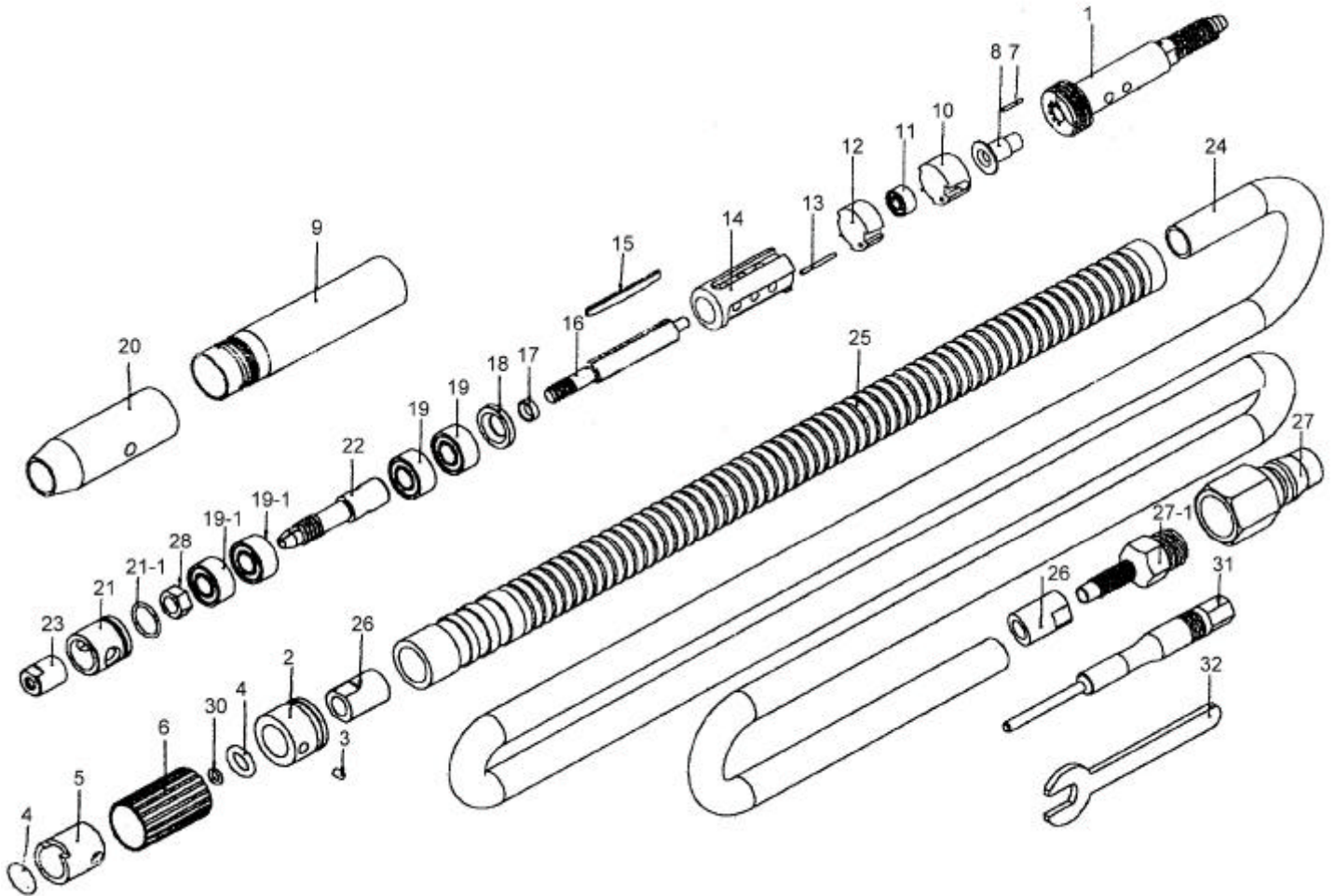


吉生 GISON

GP-8240A Air Micro Grinder



PARTS LIST

✧ : Consuming Part

Item No.	Part No.	Description	Qty.	Item No.	Part No.	Description	Qty.
1	82401	Hose Plug	1	18	82418	Spacer	1
2	82402	Rear End Holder	1	✧ 19	82419	Ball Bearing	2
3	82403	Screw	1	✧ 19-1	82419-1	Ball Bearing	2
✧ 4	82404	O-Ring	2	20	82420	Front Pipe	1
5	82405	Bushing	1	21	82421	Chuck Stand	1
6	82406	Sliding Knob	1	21-1	82421-1	O-Ring	1
7	82407	Pin	1	✧ 22	82422	Collet	1
8	82408	Intake Steel Tube	1	23	82423	Clamping Nut	1
9	82409	Sleeve	1	24	82424	Air Hose (150 cm)	1
10	82410	Intake Plate	1	25	82425	Muffler Tube (40 cm)	1
✧ 11	82411	Ball Bearing	1	26	82426	Hose Ripe	2
12	82412	Bearing Plate	1	27	82427	Inlet Connector	1
13	82413	Pin	1	27-1	82427-1	Inlet Connector	1
14	82414	Cylinder	1	30	82430	O-Ring	1
✧ 15	82415	Rotor Blade	3	31	82431	Driver	1
16	82416	Rotor	1	32	82432	Spanner	1
17	82417	Lateral Disc	1				