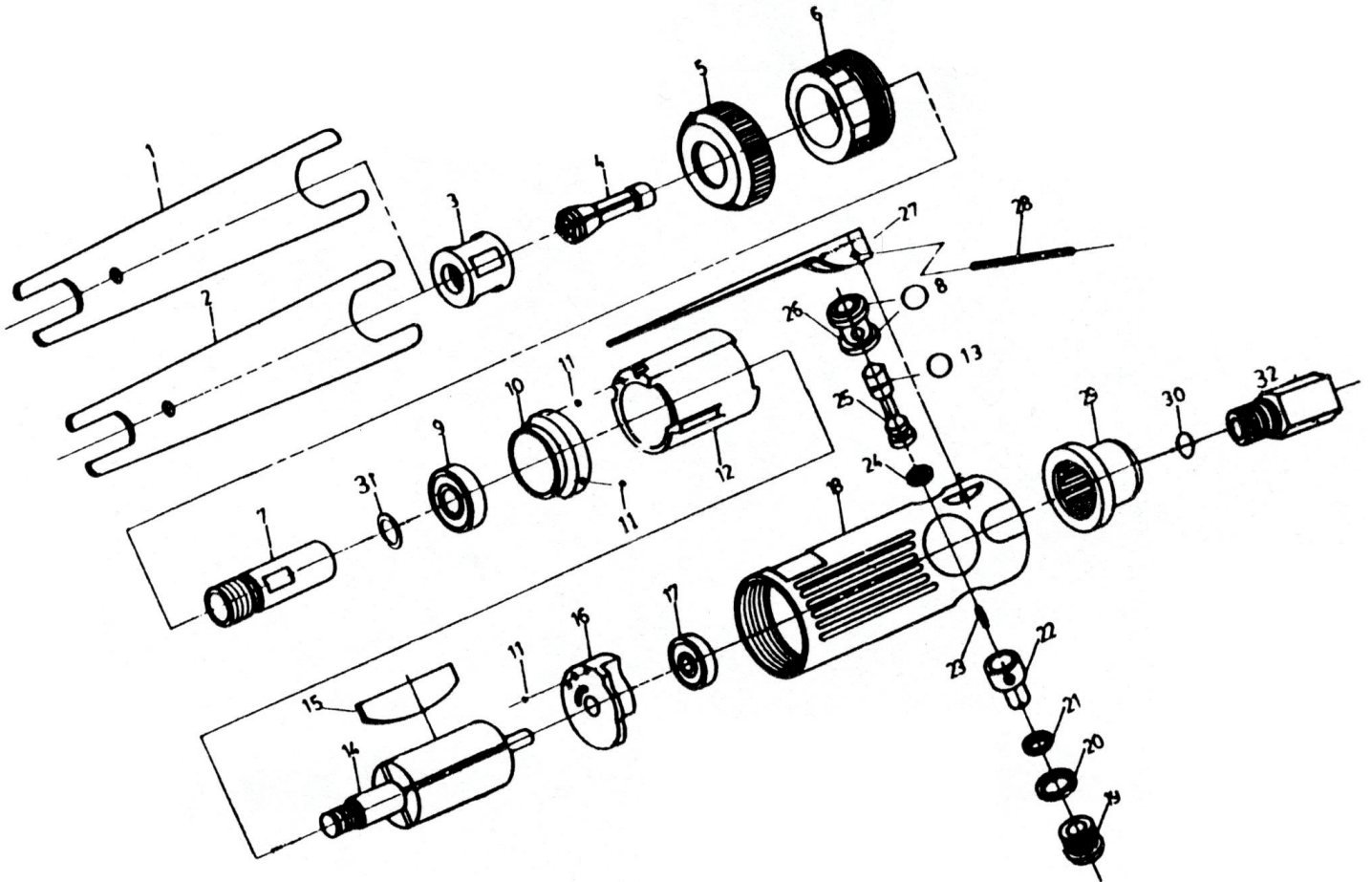




# GISON Pneumatic Tools

## GP-824 Air Die Grinder



### PARTS LIST

✳ : Consuming Part

Item No.	Part No.	Description	Qty.	Item No.	Part No.	Description	Qty.
1	824001	Double Ended Spanner	1	17	824017	Ball Bearing	1
2	824002	Double Ended Spanner	1	18	824018	Motor Housing	1
3	824003	Collet Nut	1	19	824019	Valve Screw + O-Ring (#19+#20)	1
4	824004	Collet	1	✳ 20	824020	O-Ring	1
5	824005	Housing Cap	1	✳ 21	824021	O-Ring	1
6	824006	Retainer	1	22	824022	Air Regulator	1
7	824007	Spindle	1	✳ 23	824023	Spring	1
✳ 8	824008	O-Ring	2	✳ 24	824024	O-Ring	1
9	824009	Ball Bearing	1	25	824025	Throttle Valve	1
10	824010	Front End Plate	1	26	824026	Valve	1
11	824011	Ball	3	27	824027	Safety Throttle Lever	1
12	824012	Cylinder	1	28	824028	Throttle Lever Pin	1
✳ 13	824013	O-Ring	1	29	824029	Exhaust Deflector	1
14	824014	Rotor	1	✳ 30	824030	O-Ring	1
✳ 15	824015	Rotor Blade	4	31	824031	Washer	1
16	824016	Rear Plate + Ball (#16+#11)	1	32	824032	Inlet Bushing	1