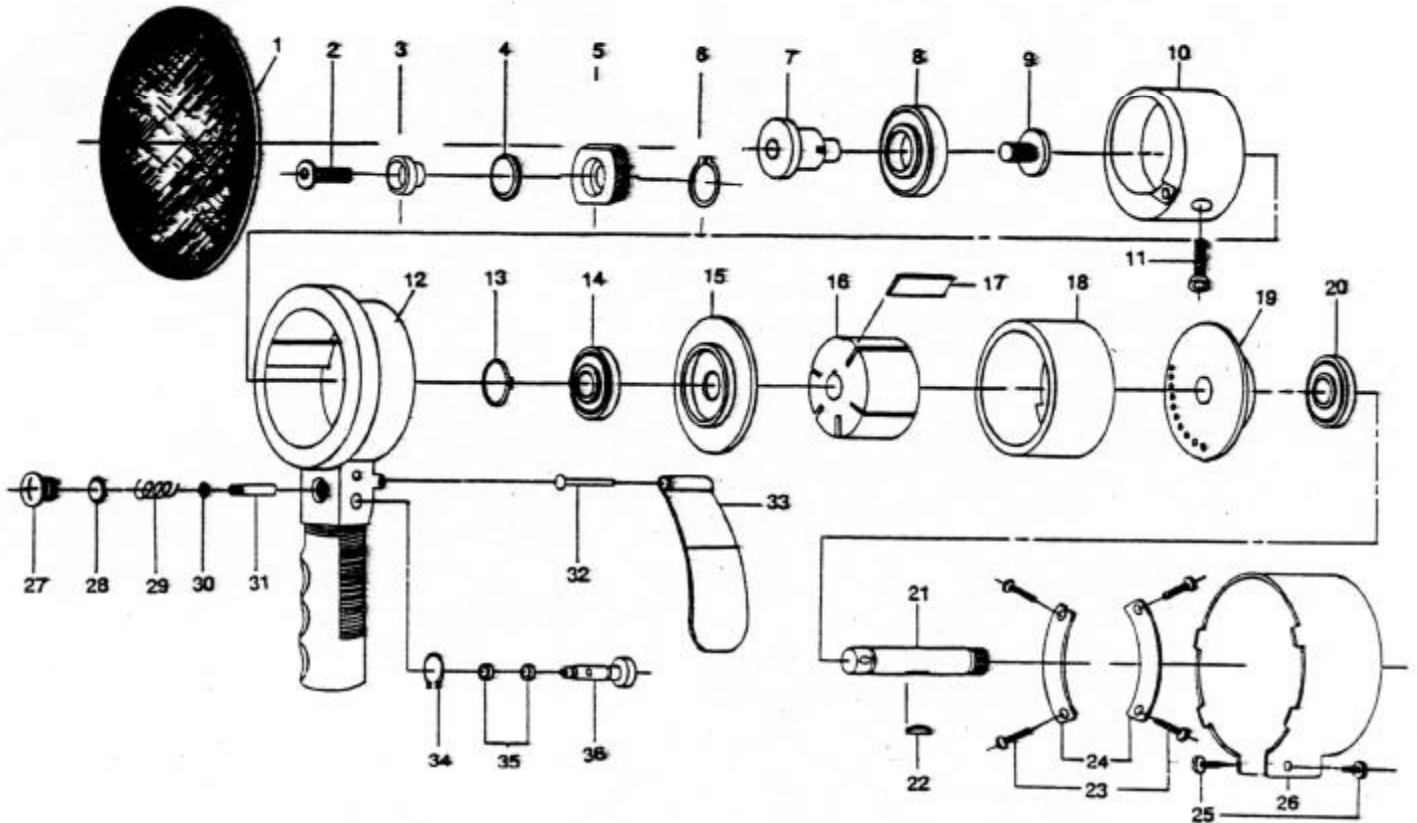




吉生 GISON

GP-822 Dual Action Sander



PARTS LIST

✦ : Consuming Part

No.	Part No.	Description	Qty.	No.	Part No.	Description	Qty.
1	822001	Sanding Pad	1	19	822019	Top End Plate	1
2	822002	Screw Balance Nut	1	20	822020	Ball Bearing	1
3	822003	Spindle Lock Collar	1	21	822021	Rotor Shaft	1
4	822004	Wave Washer	1	22	822022	Key	1
5	822005	Spindle Lock	1	23	822023	Cap Screw	4
6	822006	Retaining Ring	1	24	822024	Cap Stop Plate	2
7	822007	Random Shaft	1	25	822025	Cap Screw	3
8	822008	Ball Bearing	1	26	822026	Motor Cover	1
9	822009	Lock Screw	1	27	822027	Valve Screw	1
10	822010	Random Balance Body	1	28	822028	O-Ring	1
11	822011	Lock Screw	1	29	822029	Spring	1
12	822012	Motor Housing w/complete handle	1	30	822030	Valve	1
13	822013	Retaining Ring	1	31	822031	Valve Pin	1
14	822014	Ball Bearing	1	32	822032	Pin	1
15	822015	Bottom and Plate	1	33	822033	Valve Lever	1
16	822016	Rotor	1	34	822034	Retaining Ring	1
✦ 17	822017	Rotor Blade	5	35	822035	O-Ring	2
18	822018	Cylinder	1	36	822036	Air Regulator	1