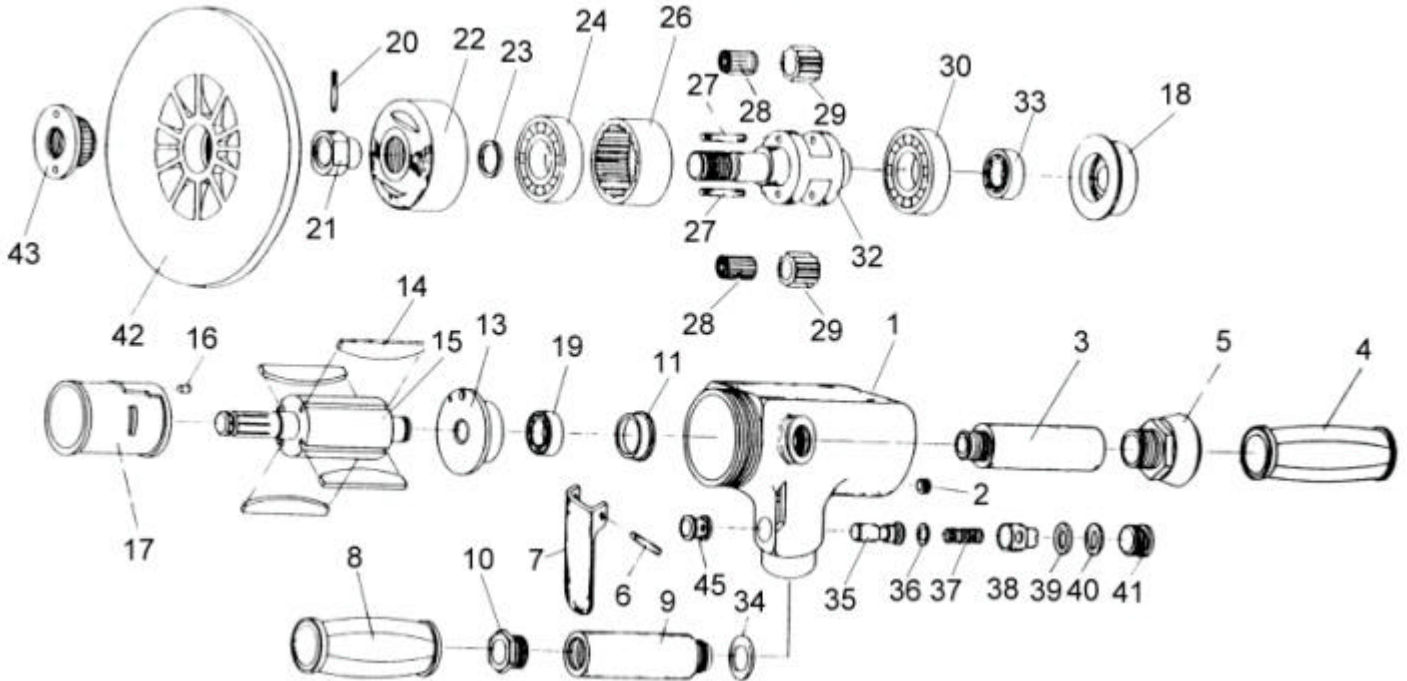




GISON Pneumatic Tools

GP-821P 7" Vertical Polisher



PARTS LIST

★ :Consuming Part

Item No.	Part No.	Description	Qty.	Item No.	Part No.	Description	Qty.
1	821001	Motor Housing	1	27	821027	Planet Pin	2
2	821002	Set Screw	2	28	821028	Needle Roller	22
3	821003	Exhaust Handle	1	29	821029	Planet Pin	2
4	821004	Handle Grip (Exhaust)	1	30	821030	Ball Bearing	1
5	821005	Exhaust Deflector	1	32	821032	Planet Cage	1
6	821006	Spring Pin	1	33	821033	Ball Bearing	1
7	821007	Throttle Lever	1	34	821034	O-Ring	1
8	821008	Handle Grip (Inlet)	1	35	821035	Valve Stem	1
9	821009	Inlet Handle	1	36	821036	O-Ring	1
10	821010	Inlet Bushing	1	37	821037	Valve Spring	1
11	821011	Bearing Cap	1	38	821038	Air Regular	1
13	821013	Rear End Plate	1	39	821039	O-Ring	1
★ 14	821014	Rotor Blade	4	40	821040	O-Ring	1
15	821015	Rotor	1	41	821041	Valve Screw	1
16	821016	Spring Pin	1	42	821042	Pad	1
17	821017	Cylinder	1	★ 43	821043	Pad Nut	1
18	821018	Front End Plate	1	45	821045	Bushing	1
19	821019	Ball Bearing	1	49	821049	Wrench	1
20	821020	Spring Pin	1	50	821050	Wrench	1
21	821021	Collar	1	K01	821K01	Motor Housing Kit (1,2,45)	1 set
22	821022	Clamp Nut	1	K02	821K02	O-Ring Kit (36,39,40)	1 set
23	821023	Oil Seal (V-Mode)	1	K03	821PK03	Planet Gear Kit (27,28,29)	1 set
24	821024	Ball Bearing	1	K04	821K04	Cylinder Kit (16,17)	1 set
★ 26	821026	Internal Gear	1				

To get maximum performance and life of your tool, replace the whole set of Parts Kit (K01,2,3,4) is highly recommend.