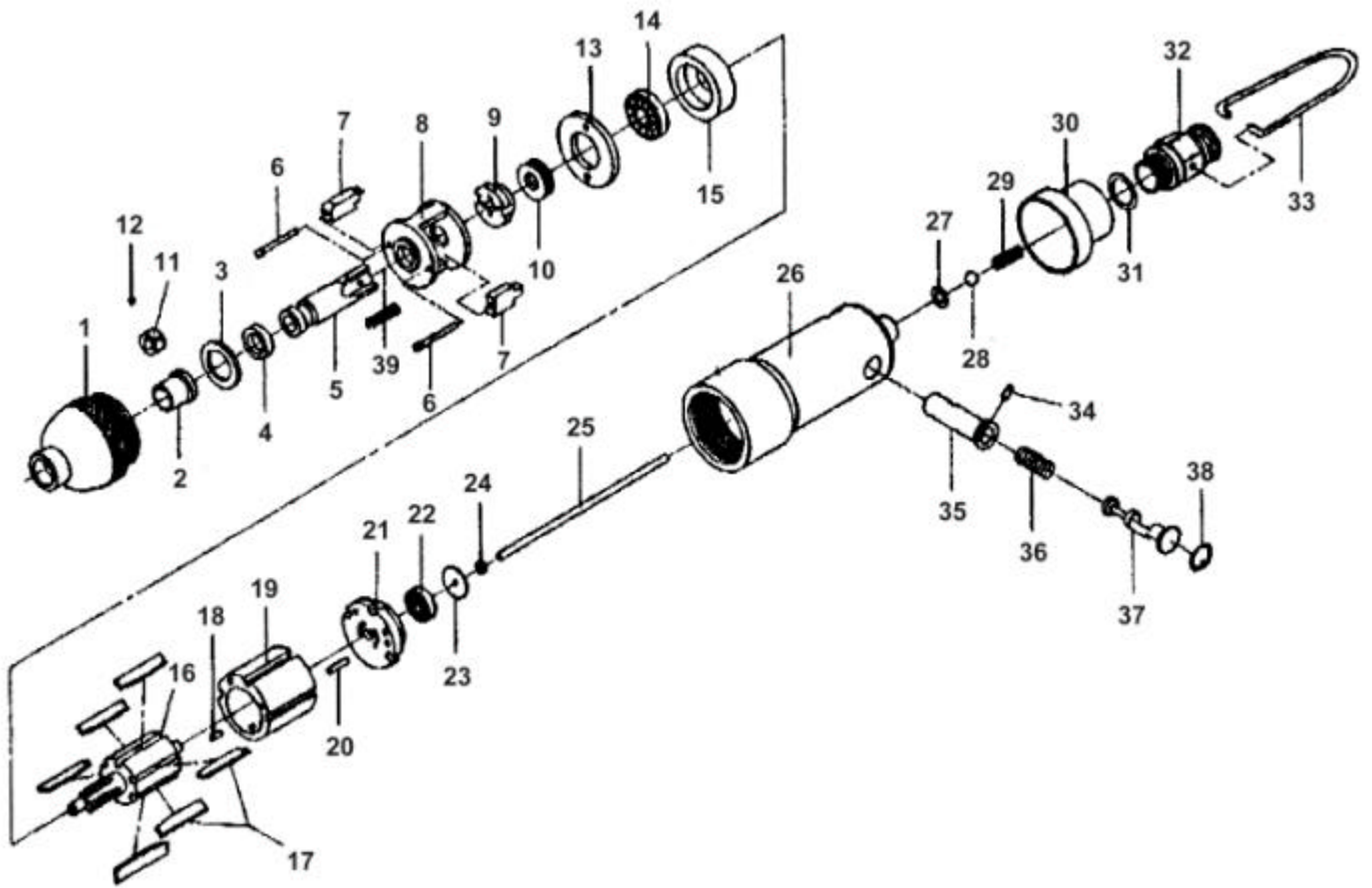


GISON Pneumatic Tools

GP-820 Heavy Duty 4~5mm Air Screw Driver



PARTS LIST

★ :Consuming Part

Item No.	Part No.	Description	Qty.	Item No.	Part No.	Description	Qty.
1	820001	Front Housing	1	21	820021	Rear End Plate	1
2	820002	Bushing	1	22	820022	Ball Bearing	1
3	820003	Trust Wsher	1	23	820023	Washer	1
4	820004	Collar	1	24	820024	O-Ring	1
5	820005	Anvil	2	25	820025	Switch Pin	1
6	820006	Pin	2	26	820026	Motor Housing	1
7	820007	Hammer Dog (2 Pc/Set)	1	27	820027	O-Ring	1
8	820008	Hammer Seat	1	28	820028	Steel Ball	1
9	820009	Cam	1	29	820029	Spring	1
10	820010	Washer	1	30	820030	Exhaust Cover	1
11	820011	Steel Ball Collar	1	31	820031	O-Ring	1
12	820012	Steel Ball	1	32	820032	Air Inlet	1
13	820013	Top Adjuster	1	33	820033	Hook	1
14	820014	Ball Bearing	1	34	820034	Pin	1
15	820015	Front Plate	1	35	820035	Reverse Bushing	1
16	820016	Rotor	1	36	820036	Spring	1
17	820017	Rotor Blade (6 Pcs/Set)	6	37	820037	Valve Stem	1
18	820018	Pin	1	38	820038	Reverse Retainer	1
19	820019	Cylinder	1	39	820039	Switch Spring	1
20	820020	Pin	1				