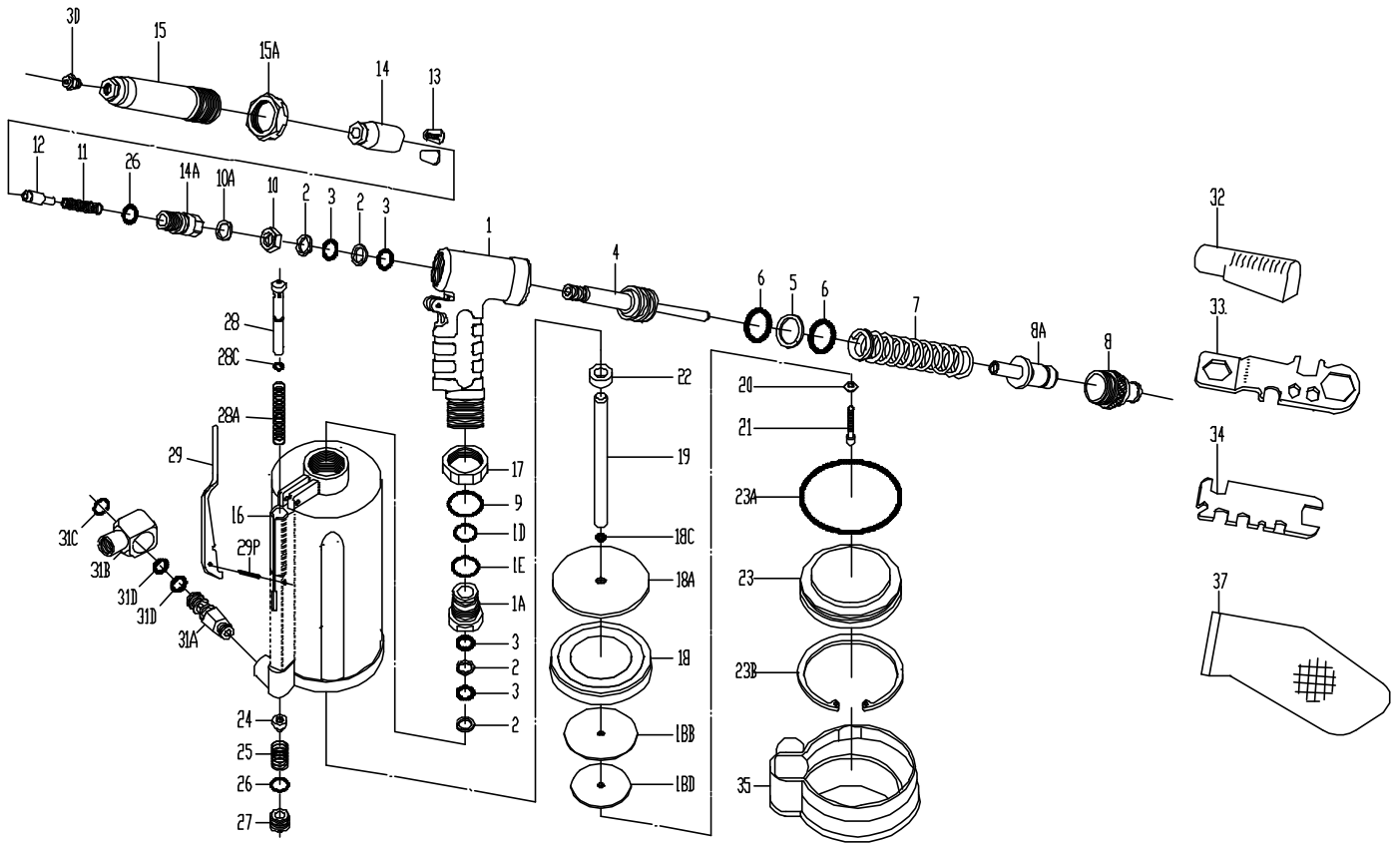


吉生 GISON

GP-745T Air Hydraulic Riveter



PARTS LIST

✳ : Consuming Part

Item No.	Part No.	Description	Qty.	Item No.	Part No.	Description	Qty.
1	745T01	Hydraulic Section	1	21	745T21	Lock Screw	1
1A	745T01A	Plunger Rod Guide	1	22	745T22	Bumper Ring	2
1C	745T01C	O-Ring	2	22A	745T22A	Piston Ass'y (18-22)(Ns)	1
1D	745T01D	O-Ring	1	23	745T23	Air Cylinder Cap	1
1E	745T01E	O-Ring	1	23A	745T23A	O-Ring	1
2	745T02	Back-Up Ring	2	23B	745T23B	Retaining Ring	1
3	745T03	O-Ring	2	24	745T24	Throttle Valve	1
4	745T04	Hydraulic Plunger	1	25	745T25	Throttle Valve Spring	1
5	745T05	Back-Up Ring	1	26	745T26	O-Ring	2
6	745T06	O-Ring	2	27	745T27	Valve Plug	1
7	745T07	Return Spring	1	28	745T28	Valve Tube Ass'y	1
8	745T08	Rear Gland	1	28A	745T28A	Valve Tube Spring	1
8A	745T08A	Vacuum Tube	1	28C	745T28C	O-Ring	1
9	745T09	O-Ring	2	29	745T29	Lever	1
10	745T10	Nut	1	29A	745T29A	Linkage	1
10A	745T10A	Wave Washer	1	29P	745T29P	Roll Pin	2
11	745T11	Spring	1	30	745T30a	Nosepiece 1/8"	1
12	745T12	Jaw Pusher	1		745T30b	Nosepiece 5/32"	1
13	745T13	Jaw "M"	2		745T30c	Nosepiece 3/16"	1
14	745T14	Jaw Housing	1		745T30d	Nosepiece 3/16"- "T" Rivet (Opt.)	1
14A	745T14A	Haw Housing Coupler	1		745T30e	Nosepiece 1/4"	1
15	745T15	Head	1	31	745T31	Swivel Joint Ass'y (31a-31d)(Ns)	1
15A	745T15A	Lock Nut	1	31A	745T31A	Male Inlet Body	1
16	745T16	Air Cylinder Body	1	31B	745T31B	Female Inlet Body (1/4"-18nptf)	1
17	745T17	Lock Nut	1	31C	745T31C	Snap Ring	1
18	745T18	Packing Ring	1	31D	745T31D	O-Ring	3
18A	745T18A	Front Head Disc	1	32	745T32	Deflector	1
18B	745T18B	Rear Head Disc	1	33	745T33	Multi-Wrench (A)	1
18C	745T18C	O-Ring	1	34	745T34	Multi-Wrench (B)	1
18D	745T18D	Rear Disc	1	35	745T35	Rubber Boot	1
19	745T19	Plunger Rod	1	37	745T37	Mandrel Collector (Opt.)	1
20	745T20	Washer	1				