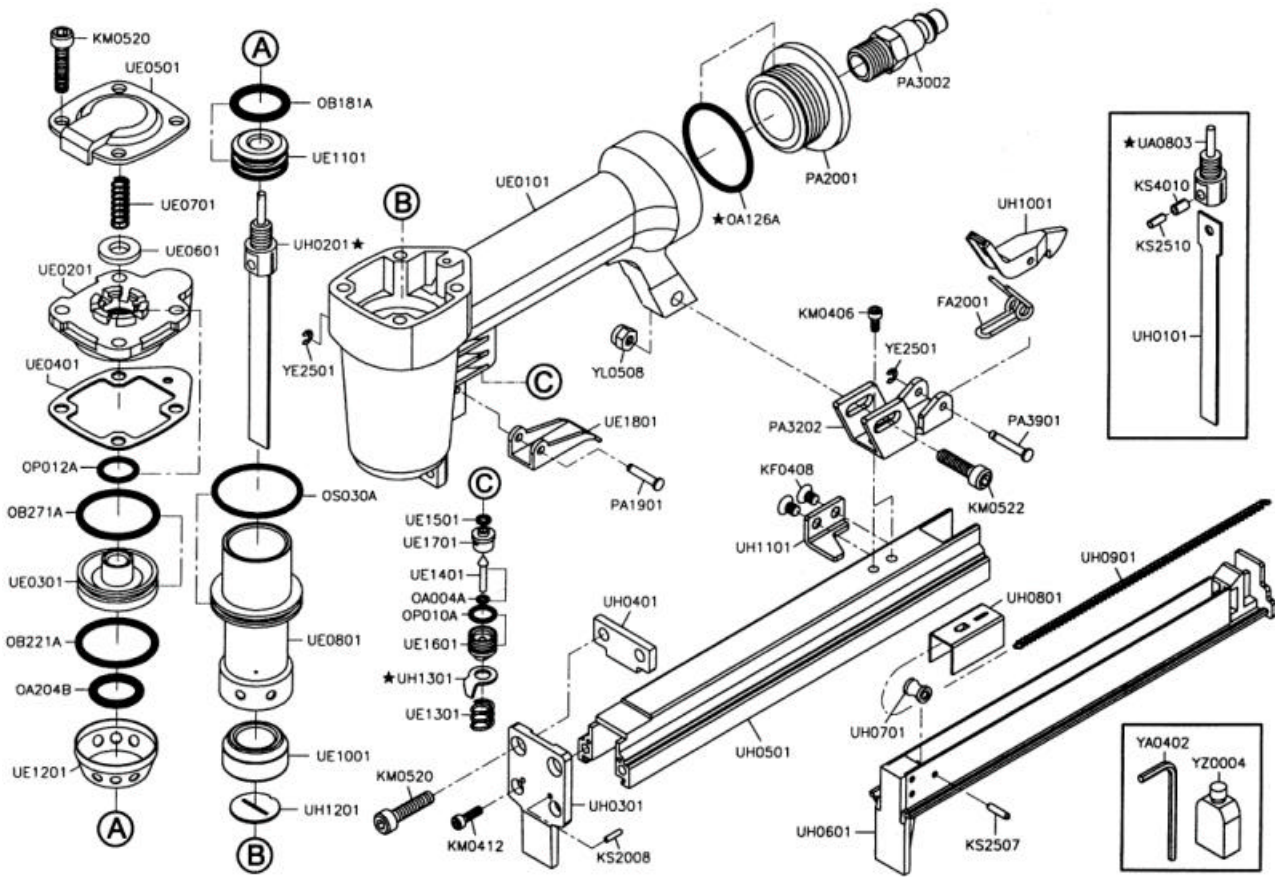


# 吉生 GISON

## GP-71/16 Fine Wire Air Stapler



### PARTS LIST

✳ : Consuming Part

No.	Part No.	Description	Qty.	No.	Part No.	Description	Qty.
1	FA2001	Latch Spring	1	31	UE0601	Piston Stop	1
2	KF0408	Flat Hd.Bolt (M4 x0.7-8L)	2	32	UE0701	Compression Spring	1
3	KM0406	Hex.Soc.Hd.Bolt (M4 x0.7-6L)	2	33	UE0801	Cylinder	1
4	KM0412	Hex.Soc.Hd.Bolt (M4 x0.7-12L)	2	34	UE1001	Bumper	1
5	KM0520	Hex.Soc.Hd.Bolt (M5 x0.8-20L)	6	35	UE1101	Main Piston	1
6	KM0522	Hex.Soc.Hd.Bolt (M5 x0.8-22L)	1	36	UE1201	Collar	1
7	KS2008	Spring Pin (Ø2-8L)	2	37	UE1301	Compression Spring	1
8	KS2507	Spring Pin (Ø2.5-7L)	1	38	UE1401	Trigger Valve Stem	1
9	KS2510	Spring Pin (Ø2.5-10L)	1	39	UE1601	Trigger Valve Guide	1
10	KS4010	Spring Pin (Ø4-10L)	1	40	UE1701	Trigger Valve Seat	1
11	OA004A	O-Ring (1.8 x1.8)	1	41	UE1801	Trigger	1
12	OA126A	O-Ring (ARP568-126)	1	42	UE801	Cylinder	1
13	OA204B	O-Ring (1B)(ARP568-204)	1	43	UH0101	Driver	1
14	OB181A	O-Ring (17.5 x8)	1	44	UH0201	Driver Assy.	1
15	OB221A	O-Ring (1A)(22 x8)	1	45	UH0301	Cover Plate	1
16	OB271A	O-Ring (26.8 x2.4)	1	46	UH0401	Guide Plate	1
17	OP010A	O-Ring (P10)	1	47	UH0501	Magazine Cap	1
18	OP012A	O-Ring (P12)	1	48	UH0601	Magazine Assy.	1
19	OS030A	O-Ring (S30)	1	49	UH0701	Roller	1
20	PA1901	Trigger Pin	1	50	UH0801	Pusher	1
21	PA2001	End Cap	1	51	UH0901	Pull Spring	1
22	PA3002	Coupling Plug (1/4")	1	52	UH1001	Latch	1
23	PA3202	Support	1	53	UH1101	Magazine Retainer	1
24	PA3901	Latch Pin	1	54	UH1201	Nozzle	1
25	UA0803	Stem	1	55	UH1301	Trigger Stop	1
26	UE0101	Body	1	56	YA0402	Hex.Bar Wrench (D4)	1
27	UE0201	Cylinder Cap	1	57	YE2501	E-Ring (Ø2.5)	2
28	UE0301	Head Valve Piston	1	58	YL0508	Lock Nut (M5 x0.8)	1
29	UE0401	Cap Seal	1	59	YZ0004	Oil Box	1
30	UE0501	Exhaust Cap	1				