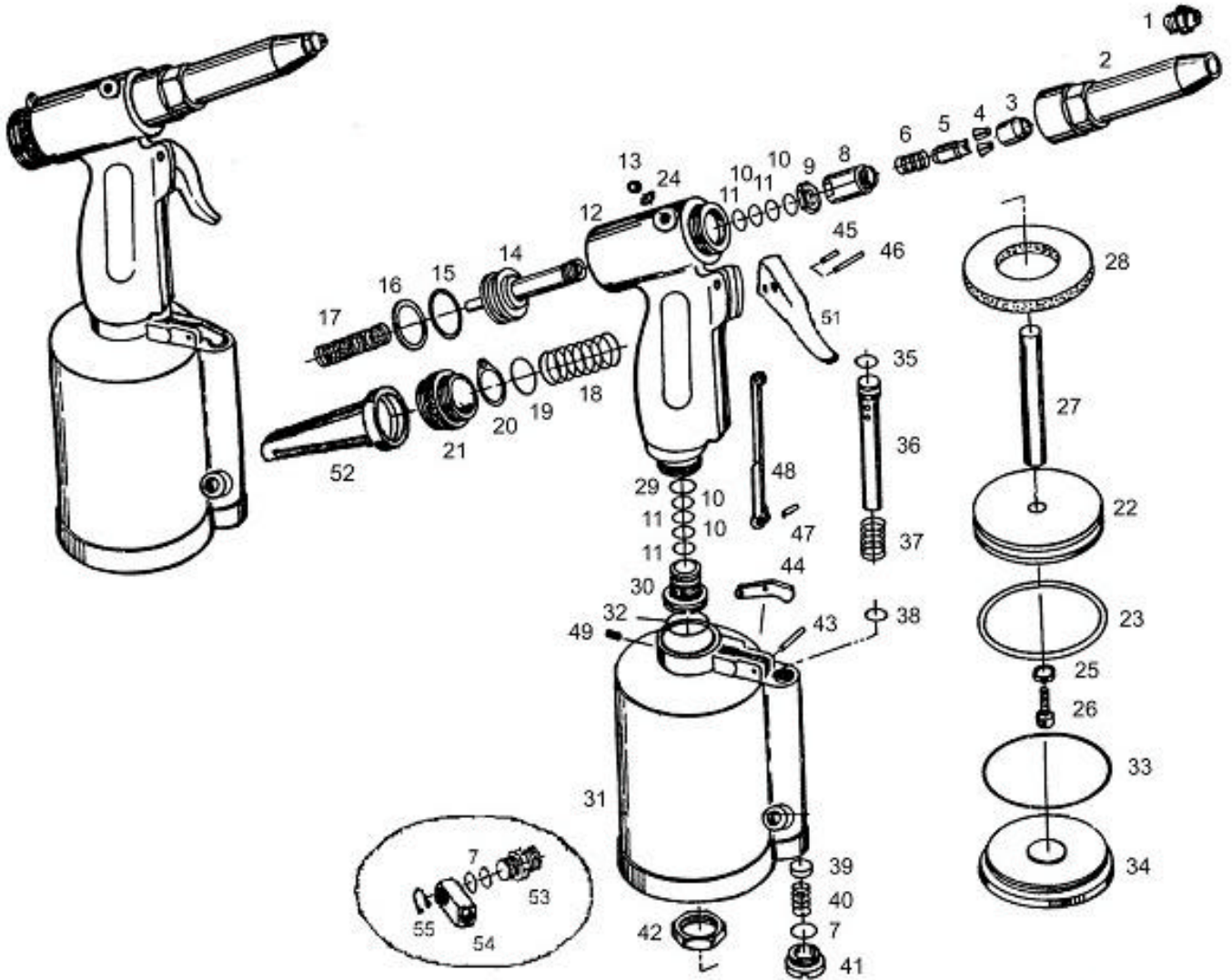




吉生 GISON

GP-504 Air Hydraulic Riveter



PARTS LIST

◆ : Consuming Part

No.	Part No.	Description	Qty.	No.	Part No.	Description	Qty.	No.	Part No.	Description	Qty.
1A	50401A	3/32" Nosepiece	1	17	504017	Return Spring	1	37	504037	Valve Spring	1
1B	50401B	1/8" Nosepiece	1	18	504018	Return Spring	1	38	504038	O-Ring Seal	1
1C	50401C	5/32" Nosepiece	1	19	504019	O-Ring Seal	1	39	504039	Valve Plate	1
1D	50401D	3/16" Nosepiece	1	20	504020	Hanging Ring	1	40	504040	Spring	1
02	504002	Head	1	21	504021	Screw Plug	1	41	504041	Screw Plug	1
03	504003	Jaw Housing	1	23	504023	Air Piston Ring	1	42	504042	Lock Nut	1
04	504004	Jaw	2	24	504024	O-Ring Seal	1	43	504043	Pin	1
05	504005	Jaw Pusher	1	25	504025	Spring Washer	1	44	504044	Trigger Lever	1
06	504006	Spring	1	26	504026	Piston Head Lock Screw	1	45	504045	Pin	1
07	504007	O-Ring Seal	1	27	504027	Plunger Rod	1	46	504046	Pin	1
08	504008	Jaw Housing Coupler	1	28	504028	Damping Ring	1	47	504047	Pin	1
09	504009	Nut	1	29	504029	O-Ring Seal	1	48	504048	Trigger Rod	1
10	504010	X-Ring Seal	4	30	504030	Screw Plug	1	49	504049	Set Screw	1
11	504011	Ring Washer	4	31	504031	Air Cylinder	1	50A	504050A	Wrench	1
12	504012	Hydraulic Section	1	32	504032	O-Ring Seal	1	50B	504050B	14/17mm Wrench	1
13	504013	Oil Plug	1	33	504033	O-Ring Seal	1	51	504051	Trigger	1
14	504014	Hydraulic Plunger	1	34	504034	Air Cylinder Cap	1	53	504053	Air Inlet Fitting	1
15	504015	O-Ring Seal	1	35	504035	O-Ring Seal	1	54	504054	1/4" Air Inlet Fitting	1
16	504016	O-Ring Washer	1	36	504036	Valve Tube	1	55	504055	Retaining Ring	1