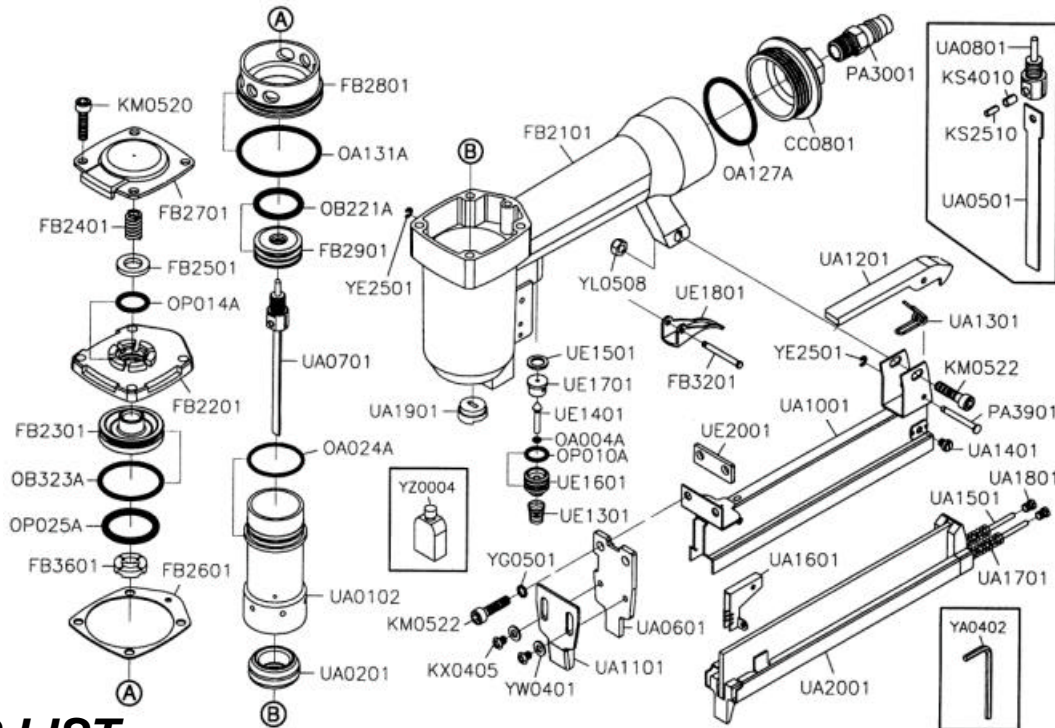


吉生 GISON

GP-422J Medium Wire Air Stapler



PARTS LIST

⚙️ : Consuming Part

Item No.	Part No.	Description	Qty.	Item No.	Part No.	Description	Qty.
1	CC0801	End Cap	1	30	UA0201	Bumper	1
2	FB2101	Body	1	31	UA0501	Driver	1
3	FB2201	Cylinder Cap	1	32	UA0601	Cover Plate	1
4	FB2301	Head Valve Piston	1	33	UA0701	Driver Assy.	1
5	FB2401	Compression Spring	1	34	UA0801	Stem	1
6	FB2501	Seal	1	35	UA1001	Magazine Cap	1
7	FB2601	Cap Seal	1	36	UA1101	Adjustable Plate	1
8	FB2701	Exhaust Cap	1	37	UA1201	Latch	1
9	FB2801	Collar	1	38	UA1301	Latch Spring	1
10	FB2901	Main Piston	1	39	UA1401	Retainer Screw	2
11	FB3201	Trigger Pin	1	40	UA1501	Guide Stem	2
12	FB3601	Piston Stop	1	41	UA1601	Pusher	1
13	KM0520	Hex.Soc.Hd.Bolt (M5 x0.8-20L)	4	42	UA1071	Pusher Spring	2
14	KM0522	Hex.Soc.Hd.Bolt (M5 x0.8-22L)	3	43	UA1801	Hex.Soc.Set Screw	2
15	KS2510	Spring Pin (Ø2.5-10L)	1	44	UA1901	Nozzle	1
16	KS4010	Spring Pin (Ø4-10L)	1	45	UA2001	Magazine Seat	1
17	KX0405	Cap Hd.Bolt (M4 x0.7-5L)	2	46	UE1301	Compression Spring	1
18	OA004A	O-Ring (1.8 x1.8)	1	47	UE1401	Trigger Valve Stem	1
19	OA024A	O-Ring (ARP568-024)	1	48	UE1501	Seal	1
20	OA127A	O-Ring (ARP568-127)	1	49	UE1601	Trigger Valve Guide	1
21	OA131A	O-Ring (ARP568-131)	1	50	UE1701	Trigger Valve Head	1
22	OB221A	O-Ring (22 ø)	1	51	UE1801	Trigger	1
23	OB323A	O-Ring (31.8 x2.4)	1	52	UE2001	Spacer	1
24	OP010A	O-Ring (P10)	1	53	YA0402	Hex Bar Wrench (D4)	1
25	OP014A	O-Ring (P14)	1	54	YE2501	E-Ring (Ø2.5)	2
26	OP025B	O-Ring (1b)(P25)	1	55	YG0501	Spring Washer (Ø5)	2
27	PA3001	Coupling Plut (1/4")	1	56	YL0508	Hex.Nut (M5 x0.8)	1
28	PA3901	Latch Pin	1	57	YW0401	Flat Washer (Ø4)	2
29	UA0102	Cylinder	1	58	YZ0004	Oil Box	1