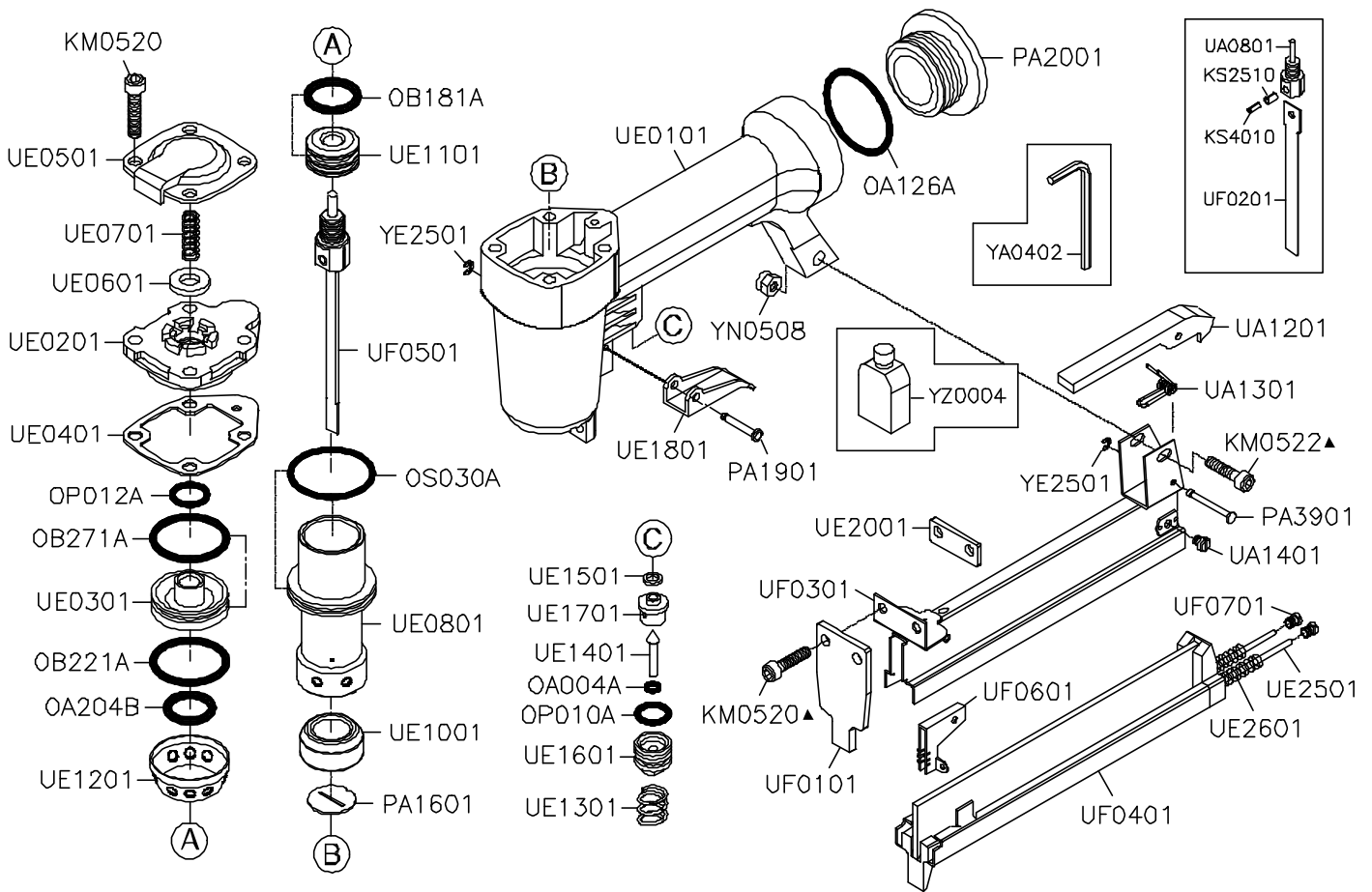


# 吉生 GISON

## GP-413J Fine Wire Air Stapler



### PARTS LIST

★ :Consuming Part

Item No.	Part No.	Description	Qty.	Item No.	Part No.	Description	Qty.
1	KM0520?	Hex.Soc.Hd.Bolt (M5 x0.8 - 20)	6	★ 27	UE0601	Piston Stop	1
2	KM0522?	Hex.Soc.Hd.Bolt (M5 x0.8 - 22)	1	★ 28	UE0701	Compression Spring	1
3	KS2510	Spring Pin (Ø2.5 - 10)	1	29	UE0801	Cylinder	1
4	KS4010	Spring Pin (Ø4 - 10)	1	★ 30	UE1001	Bumper	11
5	OA004A	O-Ring (1.8x1.8)	1	★ 31	UE1101	Main Piston	1
6	OA126A	O-Ring (ARP568 - 126)	1	32	UE1201	Cylinder Ring	1
★ 7	OA204B	O-Ring (1B) (ARP568 - 204)	1	33	UE1301	Compression Spring	1
★ 8	OB181A	O-Ring (17.5x3)	1	34	UE1401	Trigger Valve Stem	1
★ 9	OB221A	O-Ring (22x3)	1	35	UE1501	1seal	1
★ 10	OB271A	O-Ring (26.8x2.4)	1	36	UE1601	Trigger Valve Guide	1
11	OP010A	O-Ring (P10)	1	37	UE1701	Trigger Valve Seat	1
★ 12	OP012A	O-Ring (P12)	1	38	UE1801	Trigger	1
13	OS030A	O-Ring (S30)	1	39	UE2001	Spacer	1
★ 14	PA1601	Nozzle	1	40	UE2501	Guide Stem	2
15	PA1901	Trigger Pin	1	41	UE2601	Pusher Spring	2
16	PA2001	End Cap	1	42	UF0101	Cover Plate	1
17	PA3901	Latch Pin	1	43	UF0201	Driver	1
18	UA0801	Stem	1	44	UF0301	Magazine Cap	1
19	UA1201	Latch	1	45	UF0401	Magazine Assy.	1
20	UA1301	Latch Spring	1	★ 46	UF0501	Driver Assy.	1
21	UA1401	Retainer Screw	2	★ 47	UF0601	Pusher	1
22	UE0101	Body	1	48	UF0701	Hex.Soc.Set Screw	2
23	UE0201	Cylinder Cap	1	49	YA0402	Hex Bar Wrench (D4)	1
★ 24	UE0301	Head Valve Piston	1	50	YE2501	E-Ring (Ø2.5)	2
★ 25	UE0401	Cap Seal	1	51	YN0508	Hex.Nut (M5 x0.8)	1
26	UE0501	Exhaust Cap	1	52	YZ0004	Oil Box	1