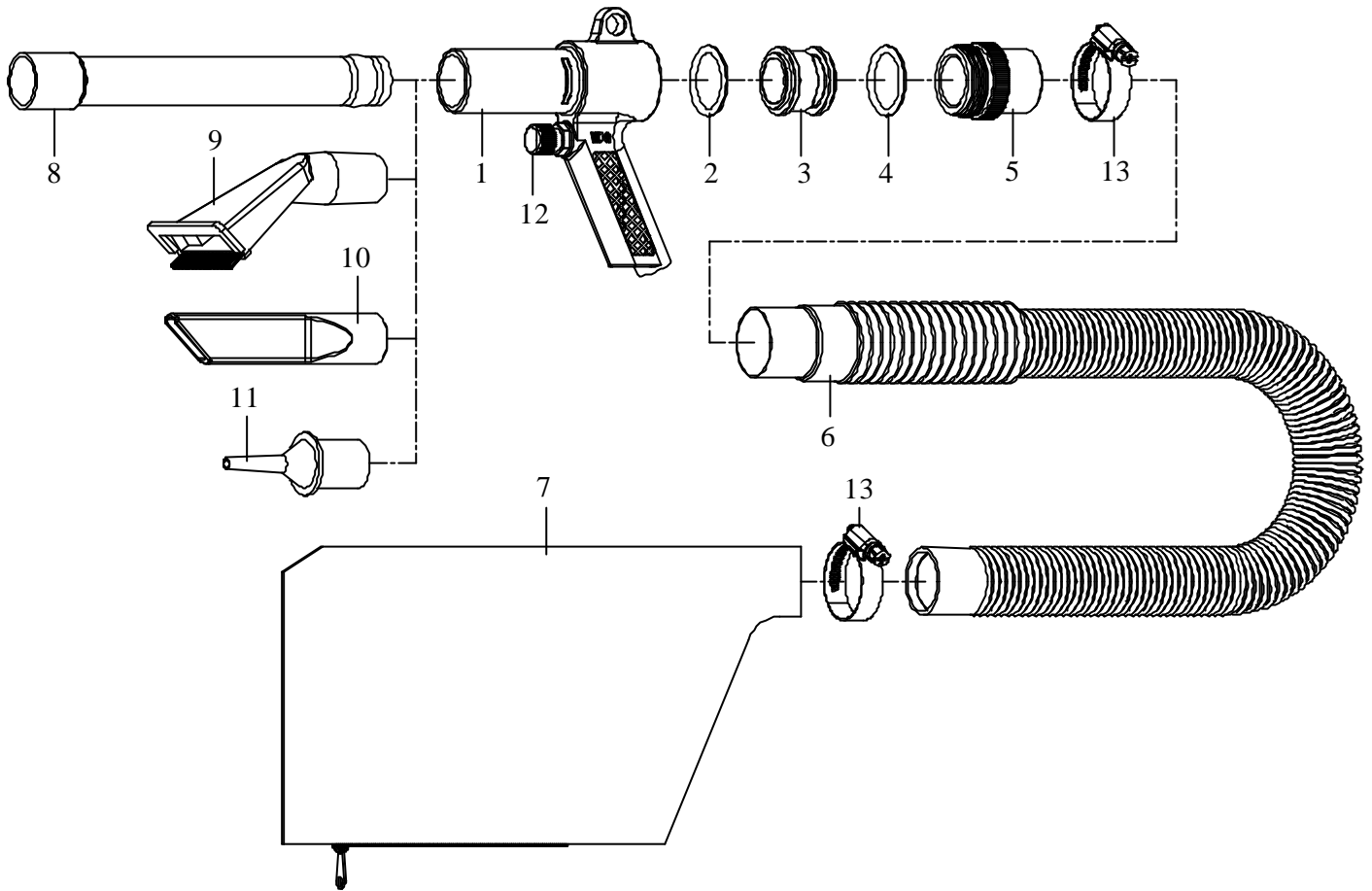


吉生 **GISON**

GP-405B Wonder Gun Kit



PARTS LIST

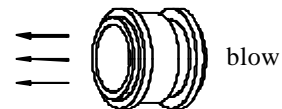
✳ : Consuming Part

Item No.	Part No.	Description	Qty.	Item No.	Part No.	Description	Qty.
1	405B01	Body	1	8	405B08	Round Nozzle	1
2	405B02	O-Ring	1	9	405B09	Brush Nozzle	1
3	405B03	Valve	1	10	405B10	Flat Nozzle	1
4	405B04	O-Ring	1	11	405B11	Tiny Nozzle	1
5	405B05	End Cap	1	12	405B12	Trigger	1
6	405B06	Air Hose	1	13	405B13	Clamp	2
7	405B07	Bag	1				

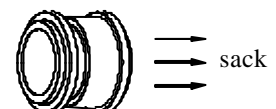
Instructions :

This tool is set in suction position when you receive this tool. Yet, a simple reversion can be done by yourself.

For Blowing purpose - 1. Fix #3 valve be in the position as fig.
2. Pipe and bag are not in use.



For Sucking purpose - 1. Reverse #3 valve be in the position as fig.
2. Pipe and bag are essential.



* Fix #2 & #4 O-Ring carefully to avoid breakage.