



GISON Pneumatic Tools

GP-405 Air Vacuum and Blower

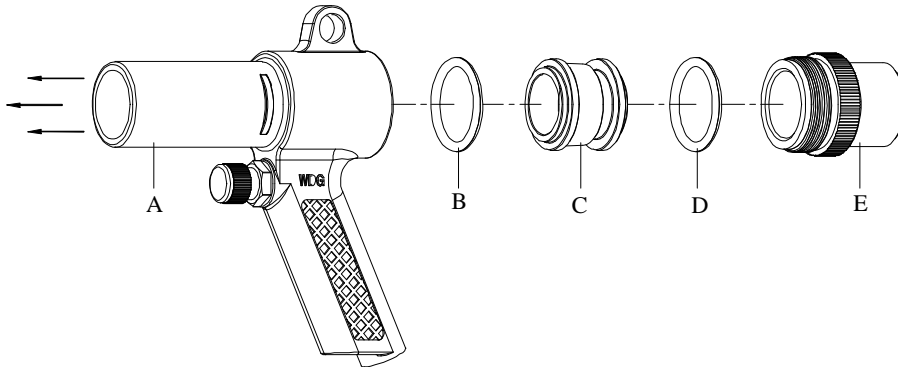
Function:

The "Air Vacuum and Blower" is designed and manufactured for cleaning purposes only by blowing and sucking the not-tool-heavy dust, wood bits, iron bits etc., left on working stand.

Instruction:

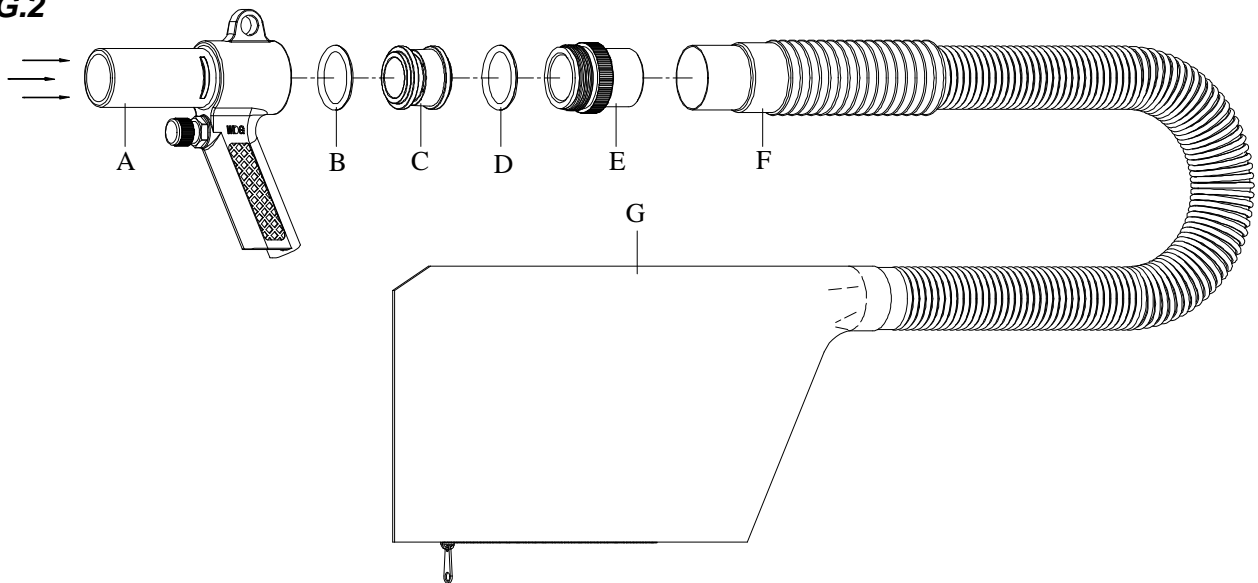
- For blowing, please arrange the parts as shown in **FIG.1** in order to reduce the weight of the gun so that operation can be easier, the pipe and the bag are not necessary in case of blowing.

FIG.1



- For sucking, please arrange the parts as shown in **FIG.2**. Please note that the direction of **part C** in **FIG.2** is exactly opposite to that in **FIG.1**.

FIG.2



Note: The pipe and bag are necessary for sucking function.

Warning:

When using the "Air Vacuum and Blower" for sucking function, you must never forget to connect the pipe to the bag, otherwise fast moving particles sucked into unit may cause serious injury.

PARTS LIST

Item No.	Part No.	Description	Qty.	Item No.	Part No.	Description	Qty.
A	405-A	Body	1	E	405-E	End Cap	1
B	405-B	O-Ring	1	F	405-F	Air Hose	1
C	405-C	Valve	1	G	405-G	Collecting Dust Bag	1
D	405-D	O-Ring	1				