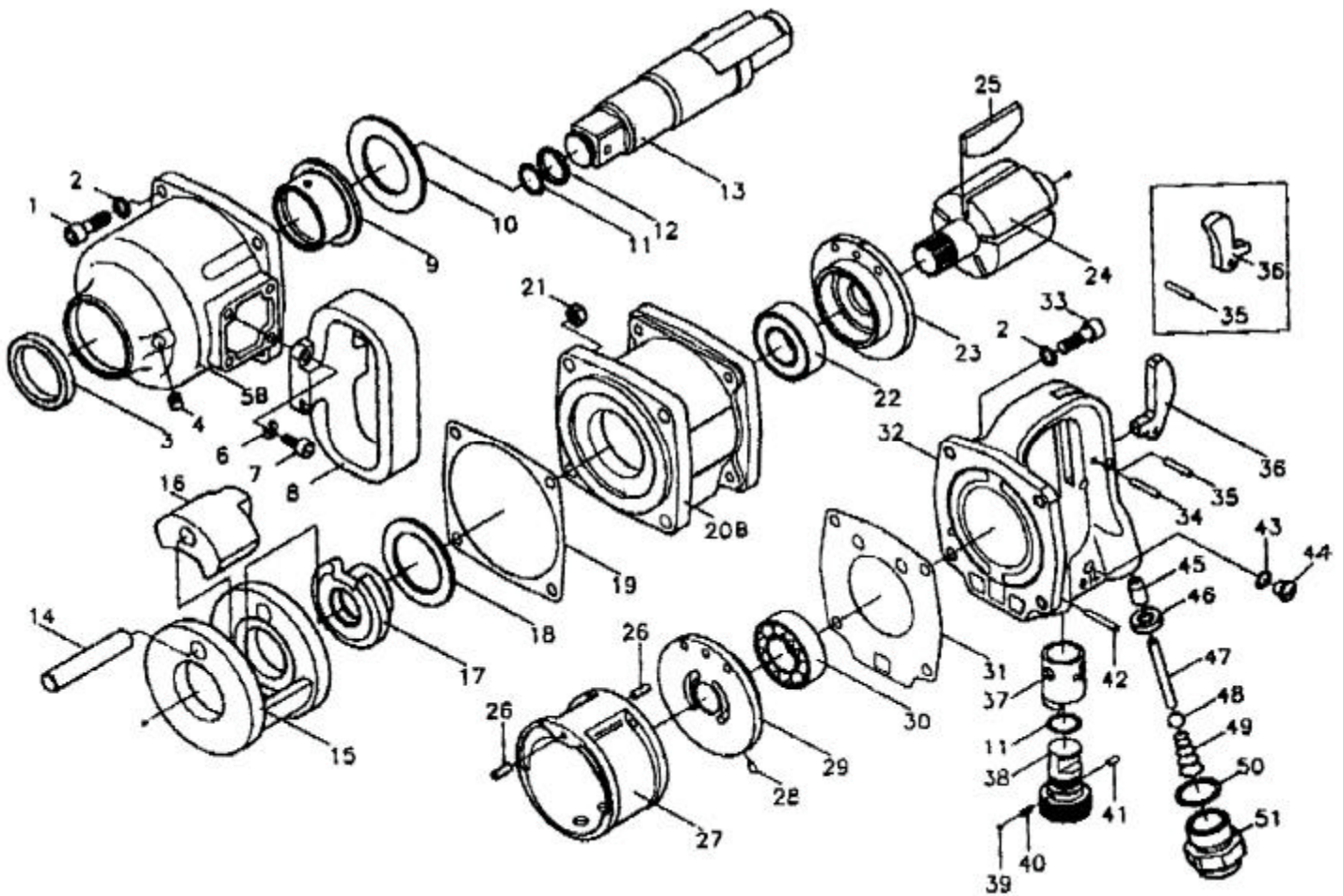


吉生 GISON

GP-38L 1" Heavy Duty Impact Wrench



PARTS LIST

✳ : Consuming Part

Item No.	Part No.	Description	Qty.	Item No.	Part No.	Description	Qty.
1	38L01	Cap Screw	4	28	38L28	Spring Pin	1
2	38L02	Spring Washer	8	29	38L29	Rear End Plate	1
3	38L03	Oil Seal	1	30	38L30	Ball Bearing	1
4	38L04	Set Screw	1	31	38L31	Roar Gasket	1
5B	38L05	Hammer Case	1	32	38L32	Handle Frame	1
6	38L06	Spring Washer	4	33	38L33	Cap Screw	4
7	38L07	Cap Screw	4	34	38L34	Spring Pin	1
8	38L08	D-Type Handle	1	35	38L35	Pin	1
9	38L09	Bushing	1	36	38L36-1	Trigger (Outer)	1
10	38L10	Front Washer	1		38L36-2	Trigger (Inner)	1
11	38L11	O-Ring	2	37	38L37	Reverse Valve Bushing	1
12	38L12	Anvil Collar	1	38	38L38	Regulator	1
13	38L13-1	2" Anvil	1	39	38L39	Steel Ball	1
	38L13-2	8" Anvil	1	40	38L40	Spring	1
14	38L14	Hammer Pin	1	41	38L41	Spring Pin	1
15	38L15	Hammer Caga	1	42	38L42	Spring Pin	1
16	38L16	Hammer Dog	1	43	38L43	O-Ring	1
17	38L17	Cam	1	44	38L44	Oil chamber Screw	1
18	38L18	Washer	1	45	38L45	Valve Bushing	1
19	38L19	Front Gasket	1	46	38L46	Bushing	1
20B	38L20	Motor Housing	1	47	38L47	Valve Stem	1
21	38L21	Lock Nut	4	48	38L48	Steel Ball	1
22	38L22	Ball Bearing	1	49	38L49	Spring	1
23	38L23	Front End Plate	1	50	38L50	O-Ring	1
24	38L24	Rotor	1	51	38L51-1	Air Inlet (1/2" PF)	1
25	38L25	Rotor Blade	5		38L51-2	Air Inlet (1/2" PT)	1
26	38L26	Spring Pin	2		38L51-3	Air Inlet (1/2" NPT)	1
27	38L27	Cylinder	1				