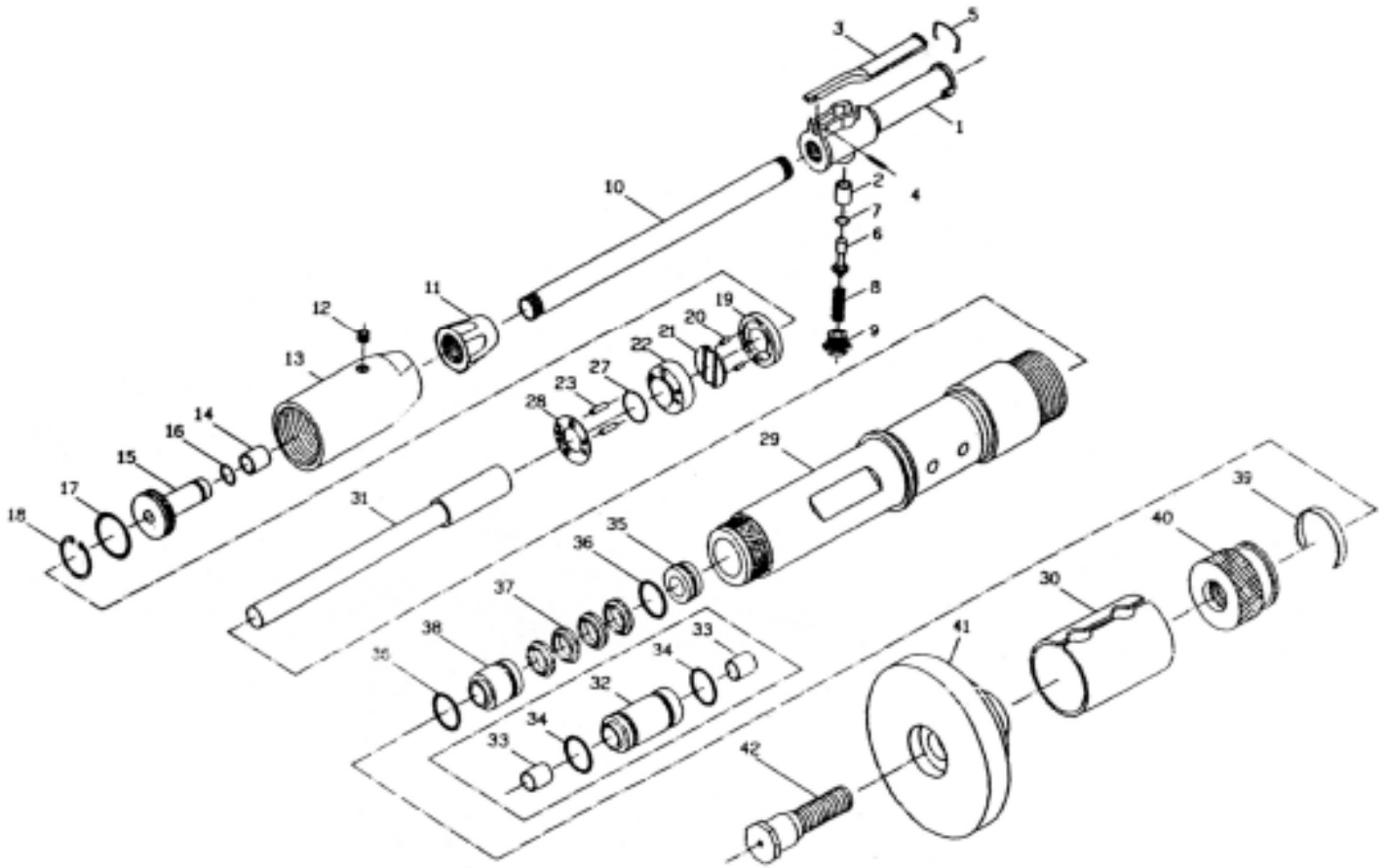




# GISON Pneumatic Tools

## GP-386 Air Sand Rammer/Tamper



### PARTS LIST

✳ : Consuming Part

Item No.	Part No.	Description	Qty.	Item No.	Part No.	Description	Qty.
1	386001	Throttle Body Bare	1	21	386021	Flapper Valve Disc	1
2	386002	Throttle Valve Bushing	1	22	386022	Lower Flapper Valve Block	1
3	386003	Throttle Valve Lever	1	23	386023	Dowel Pin	2
4	386004	Throttle Lever Fulcrum Pin	1	27	386027	Lower Valve Block O-Ring	1
5	386005	Throttle Lever Lock Clip	1	28	386028	Gasket	1
6	386006	Throttle Valve	1	29	386029	Barrel	1
7	386007	Throttle Valve O-Ring	1	30	386030	Exhaust Deflector	1
8	386008	Throttle Valve Spring	1	31	386031	Plunger	1
9	386009	Throttle Valve Plug	1	32	386032	Plunger Guide	1
10	386010	Connecting Pipe	1	33	386033	Plunger Guide Bushing	2
11	386011	Lock Nut	1	34	386034	Plunger Guide O-Ring	2
12	386012	Oil Plug	1	35	386035	Upper Guide Bushing	1
13	386013	Barrel Head	1	36	386036	Guide Bushing O-Ring	2
14	386014	Oil Control Bushing	1	37	386037	Plunger Packing Set	4
15	386015	Oil Reservoir End Cap	1	38	386038	Lower Guide Bushing	1
16	386016	Upper Cap O-Ring	1	39	386039	Packing Nut Lock Clip	1
17	386017	Lower Cap O-Ring	1	40	386040	Packing Nut	1
18	386018	End Cap Retaining Ring	1	41	386041	6" Steel Butt	1
19	386019	Upper Flapper Valve Block	1		386041A	6" Aluminum Butt (Opt.)	
20	386020	Dowel Pin - Valve Disc	2	42	386042	Clamp Screw	1