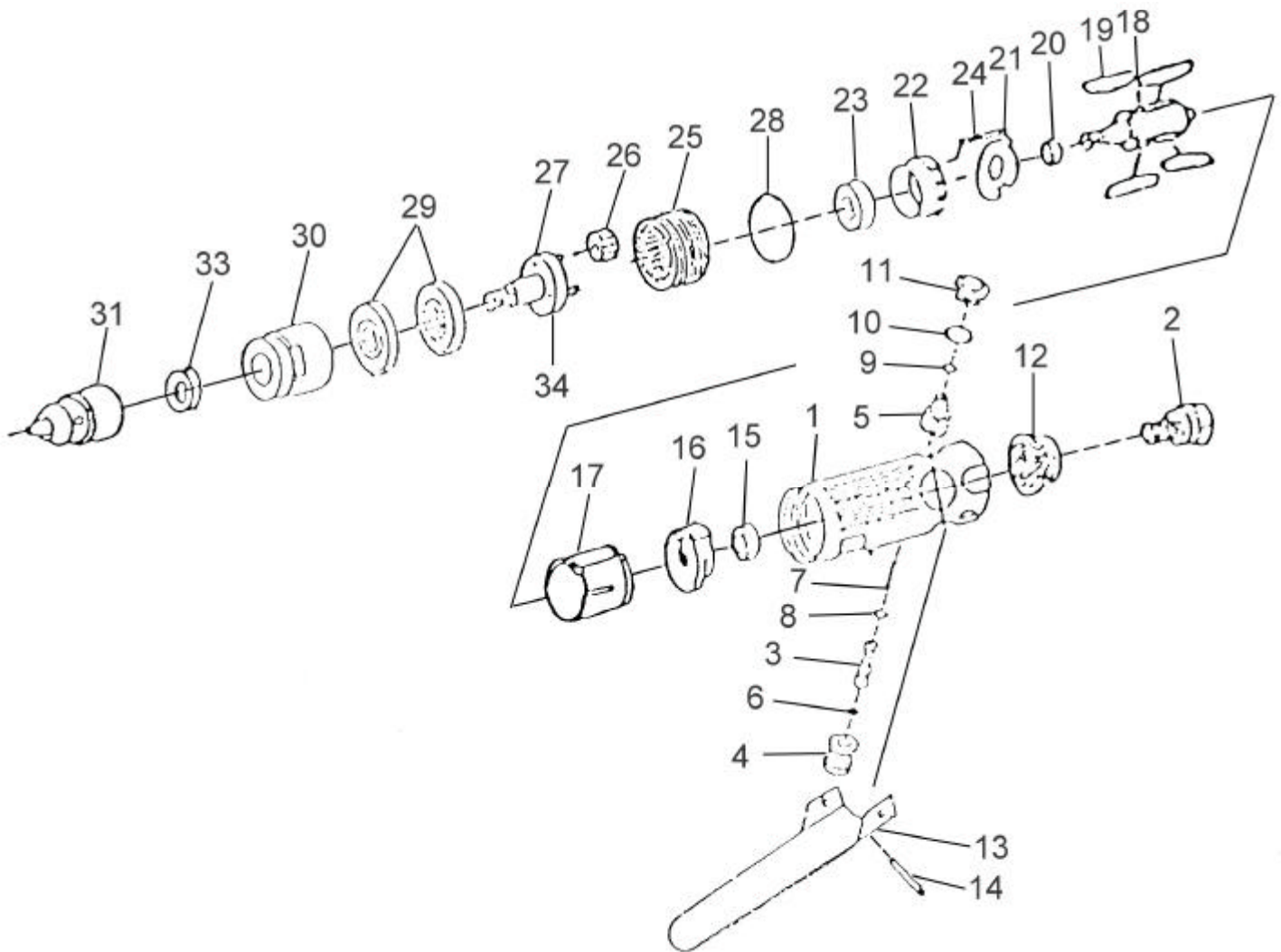


吉生 GISON

GP-332 3/8" High Speed Straight Drill



PARTS LIST

✧ : Consuming Part

Item No.	Part No.	Description	Qty.	Item No.	Part No.	Description	Qty.
1	332001	Handle	1	✧ 19	332019	Vane	4
2	332002	Air Inlet	1	20	332020	Rotor Collar	1
3	332003	Valve Stem	1	21	332021	Gasket (opt.)	1
4	332004	Valve Bushing	1	22	332022	Front End Plate	1
5	332005	Regulator	1	23	332023	Ball Bearing	1
✧ 6	332006	O-Ring	1	24	332024	Dowel Pin	1
7	332007	Spring	1	25	332025	Internal Gear	1
✧ 8	332008	O-Ring	1	26	332026	Pinion Gear	3
✧ 9	332009	O-Ring	1	27	332027	Planet Cage	1
✧ 10	332010	O-Ring	1	28	332028	O-Ring	1
11	332011	Valve Plug	1	✧ 29	332029	Ball Bearing	2
12	332012	Exhaust Deflector	1	30	332030	Housing Cap	1
13	332013	Throttle Lever	1	31	332031	3/8" Chuck	1
14	332014	Spring Pin	1	32	332032	3/8" Chuck Key (not shown)	1
15	332015	Ball Bearing	1	33	332033	Washer	1
16	332016	Rear End Plate	1	34	332034	Roll Pin	3
17	332017	Cylinder	1	35	332035	14 mm Wrench (not shown)	1
18	332018	Rotor	1				