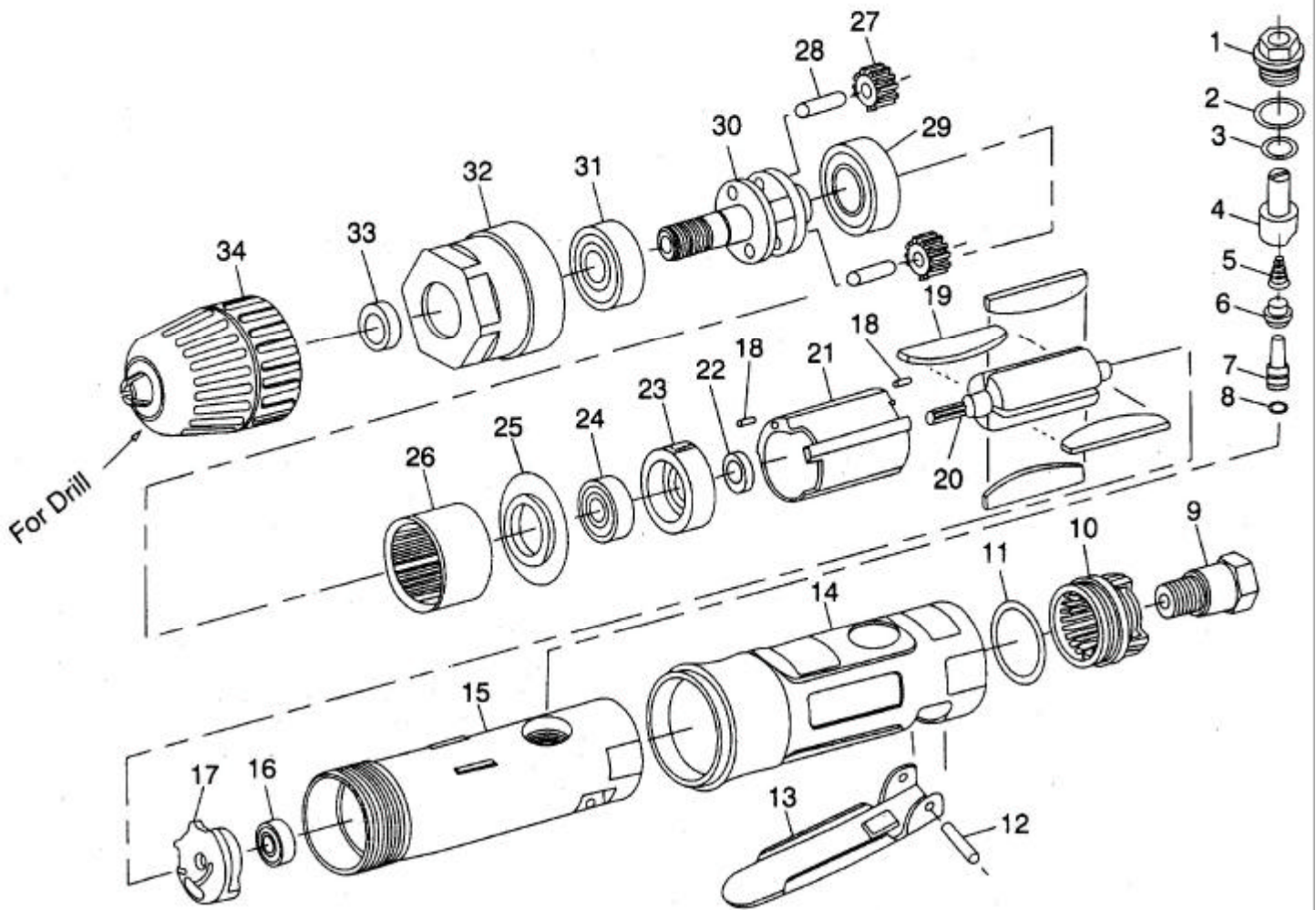


吉生 GISON

GP-330ST 3/8" Air Drill



PARTS LIST

✿ :Consuming Part

Item No.	Part No.	Description	Qty.	Item No.	Part No.	Description	Qty.
01	330ST01	Screw	1	18	330ST18	Steel Ball	2
✿ 02	330ST02	O-Ring	1	✿ 19	330ST19	Rotor Blade	4
✿ 03	330ST03	O-Ring	1	20	330ST20	Rotor	1
04	330ST04	Air Regulator	1	21	330ST21	Cylinder	1
05	330ST05	Spring	1	22	330ST22	Bearing Spacer	1
06	330ST06	Valve Stem Bushing	1	23	330ST23	Front Plate	1
07	330ST07	Valve Stem	1	24	330ST24	Ball Bearing	1
✿ 08	330ST08	O-Ring	1	25	330ST25	Washer	1
09	330ST09	Air Inlet	1	26	330ST26	Thrad Ring Gear	1
10	330ST10	Exhaust Sleeve	1	27	330ST27	Idler Gear	3
✿ 11	330ST11	O-Ring	1	28	330ST28	Idler Gear Pin	3
12	330ST12	Pin	1	29	330ST29	Idler Gear Plate	1
13	330ST13	Lever	1	30	330ST30	Shaft	1
14	330ST14	Protecting Rubber	1	31	330ST31	Ball Bearing	2
15	330ST15	Housing	1	32	330ST32	Clamp Nut	1
16	330ST16	Ball Bearing	1	33	330ST33	Washer	1
17	330ST17	Rear Plate	1	34	330ST34	3/8" Chuck	1