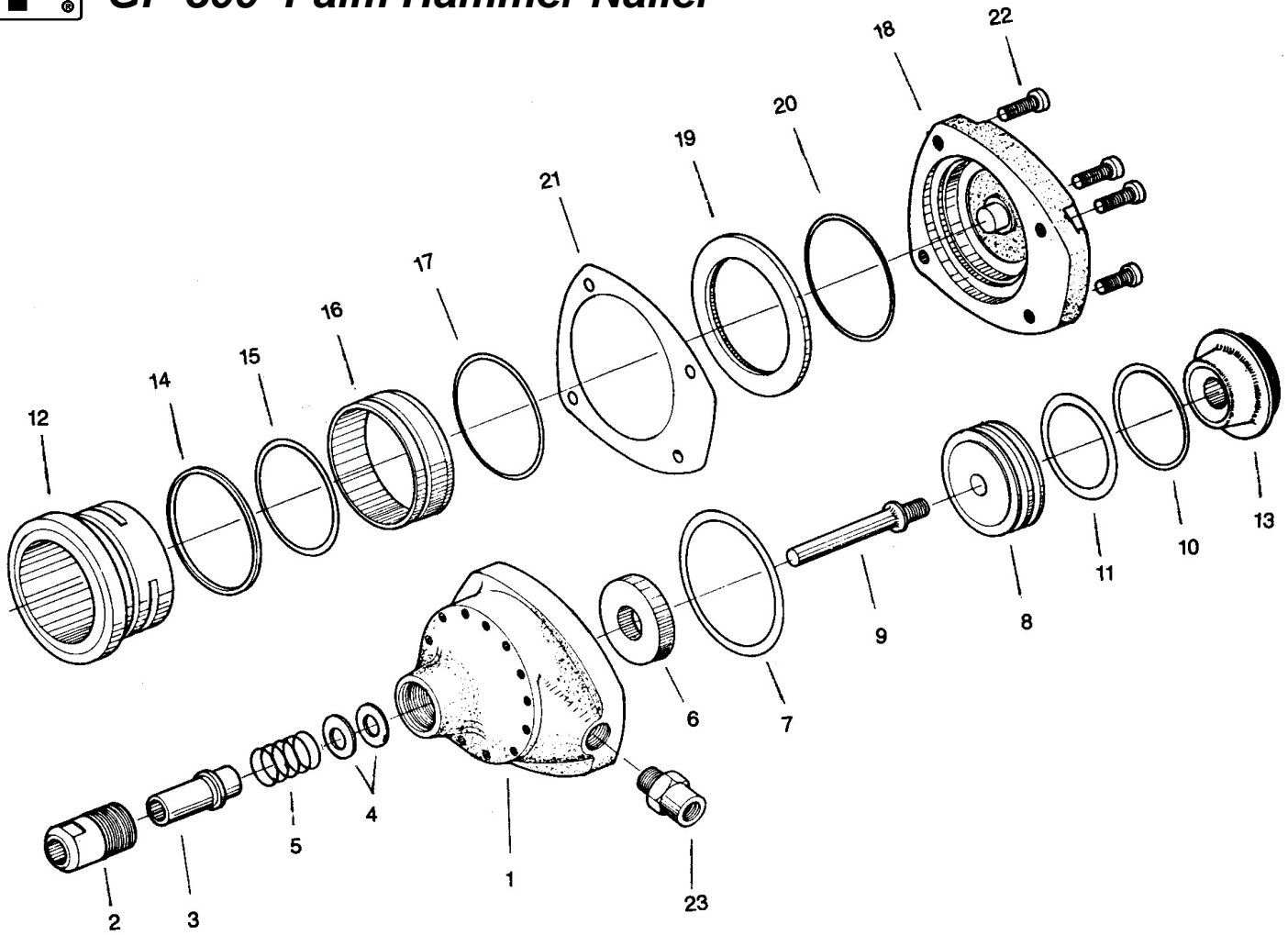




# GISON Pneumatic Tools

## GP-300 Palm Hammer Nailer



### PARTS LIST

✳ : Consuming Part

Item No.	Part No.	Description	Qty.	Item No.	Part No.	Description	Qty.
1	300001	Body	1	13	300013	Cylinder Cover	1
2	300002	Guide Box	1	14	300014	Rubber Ring	1
3	300003	Guide Bushing	1	15	300015	O-Ring	1
✳ 4	300004	Spring Washer	3	16	300016	Valve	1
✳ 5	300005	Spring	1	17	300017	O-Ring	1
6	300006	Damping Rubber	1	18	300018	Cover	1
✳ 7	300007	O-Ring	1	19	300019	Valve Packing	1
8	300008	Piston	1	✳ 20	300020	O-Ring	1
✳ 9	300009	Piston Rod	1	21	300021	Gasket	1
✳ 10	300010	O-Ring	1	22	300022	Screw	4
✳ 11	300011	O-Ring	1	23	300023	Air Inlet	1
12	300012	Cylinder	1				

### Operating Instructions:

#### Air Pressure:

The **Palm Hammer Nailer** requires a minimum air pressure of 50 lbs. and a maximum of 125 lbs. Various nail size require different air pressure for best results as follows:

- ① 5d and 3d            50 to 80 lbs
- ② 8d and 10d         80 to 100 lbs
- ③ 16d and 30d        100 to 115 lbs
- ④ 60d and 70d        115 to 125 lbs

Operation above 125 lbs. air pressure will cause internal damage.

### ***Air Lines and Fittings:***

- The hose and fitting size of the **Palm Hammer Nailer** is 3/8". Although, the tool uses only 2~4 CFM. at maximum operating speed, you should insure maximum air flow for proper installation if air flow is restricted it is recommended that you install a 3~5 gal. (10~20 lites) surge tank within 15 feet (5 m) of the work area.

### ***Air Filter and Lubricator:***

- Since the Palm Hammer Nailer tool is a high speed pneumatic tool, trouble free use is best obtained by using a 3/8" or larger filter and lubricator.
- Clean the filter from time to time and empty the water container every day. Set the pressure regulator according to your requirements.
- Regulate the lubricator to get two drops of oil per minute which can be checked at the show glass.

CAUTION: Warranty not honoured unless tool is used with filter and lubricator.

### ***Operation:***

- Remember, your **Palm Hammer Nailer** tool is an automatic hammer and not a gun. Therefore, it has no trigger. It starts automatically when the hammer tip is pressed against the nail head; It automatically when the nail head no longer touches the driver. The Operator needs only apply a very slight amount of pressure to activate the tool.

### ***Positioning:***

- Hold the nail with the left (or right) hand in the same manner as if you were using a common hammer. With your other hand simply place the tool in a straight line with the direction in which you intend to drive the nail, and locate guide onto the nail head, gently pushing the **Palm Hammer Nailer** against the nail head. When the nail is driven it will automatically stop. Repeat the procedure with another nail.

### ***Air Escaping From Tool:***

- The **Palm Hammer Nailer** may be accidentally dropped after the air pressure has been shut off due to the shock, the internal cycling mechanism may assume a mid-cycling position, and like a valve, allow the air to press through without energizing the oscillating action. No danger or damage can occur. However, the unit will remain inoperative when this occurs. To stop the escaping air, abruptly slap the cap side of the **Palm Hammer Nailer** into the palm of your hand with enough speed of impact to reset the internal piston. The escaping air will immediately stop and your unit is ready for immediate use.
- Check cap screws with proper size allen wrench making sure they are all tight.

### ***Oil:***

- Always use a NON-DETERGENT OIL, 6~10 weight for lubrication.

Note: *When cleaning your **Palm Hammer Nailer**, avoid the use of solvents on all rubber parts.*