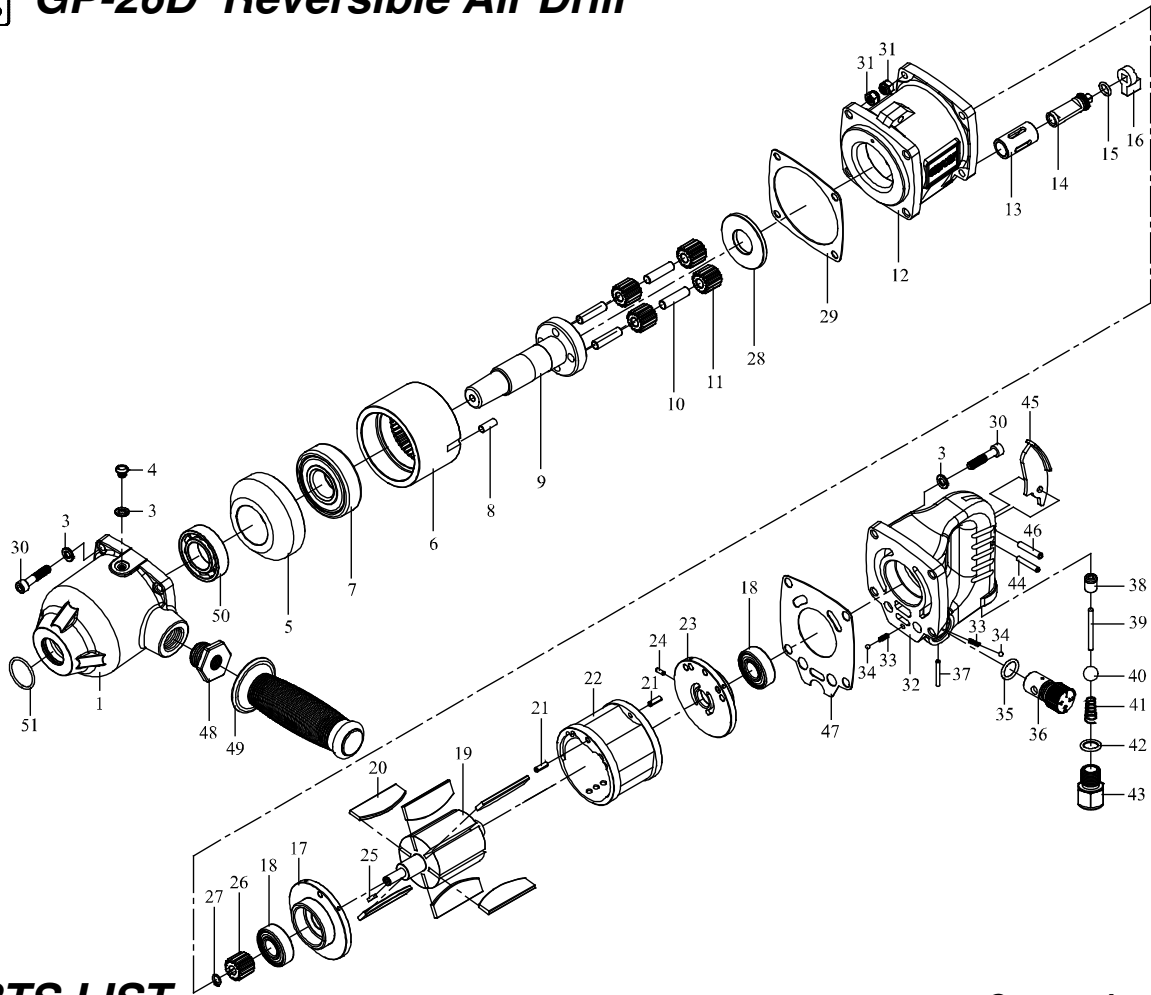


# GISON Pneumatic Tools

## GP-26D Reversible Air Drill



### PARTS LIST

:Consuming Part

Item No.	Part No.	Description	Qty.	Item No.	Part No.	Description	Qty.
1	26DA10000	Front Set	1	27	C7	Retainer	1
3	SPW6	Spring Washer	9	28	26DA50600	Gasket For Gear	1
4	MC004	Screw	1	29	26006000	Front Gasket	1
5	26DA40400	Retainer Ring	1	30	CAP023	Cap Screw	8
6	26DA40000	Retarder	1	31	NS6	Set Screw	8
7	B6305ZZ	Ball Bearing	1	32	26003000	Rear Handle	1
8	P032	Pin	1	33	S011	Spring	2
9	26DA40300	Main Shaft	1	34	380022	Steel Ball	2
10	26DA40200	Pin	4	35	OR007	O-Ring	1
11	26DA40100	Pinion Gear	4	36	26003010	Governor	1
12	26002000	Body	1	37	SP032	Spring Pin	1
14	26002020	Reversible Valve	1	39	26003070	Air Inlet Valve	1
15	OR006	O-Ring	1	40	380007	Nylon Ball	1
16	26002030	Reversible Shifting	1	41	S041	Spring	1
17	26005030	Front Cap	1	42	OR021	O-Ring	1
18	B6202ZZ	Ball Bearing	2	43	26003083	Hose Adapter	1
19	26DA50100	Rotor	1	44	SP016	Spring Pin	1
20	26005020	Rotor Blade	6	45	26003040	Trigger	1
21	SP003	Spring Pin	2	46	SP007	Spring Pin	1
22	26DA50000	Cylinder	1	47	26007000	Rear Gasket	1
23	26005040	Rear Cap	1	48	26001020	Handle Screw	1
24	SP025	Spring Pin	1	49	830027	Anti Vibration Handle	1
25	KR004	Key	1	50	B6005	Ball Bearing	1
26	26DA50500	Drive Gear	1	51	OR027	O-Ring	1

※ If you need to order parts, please mark both **Parts No.** and **Description**. 2013/7/25