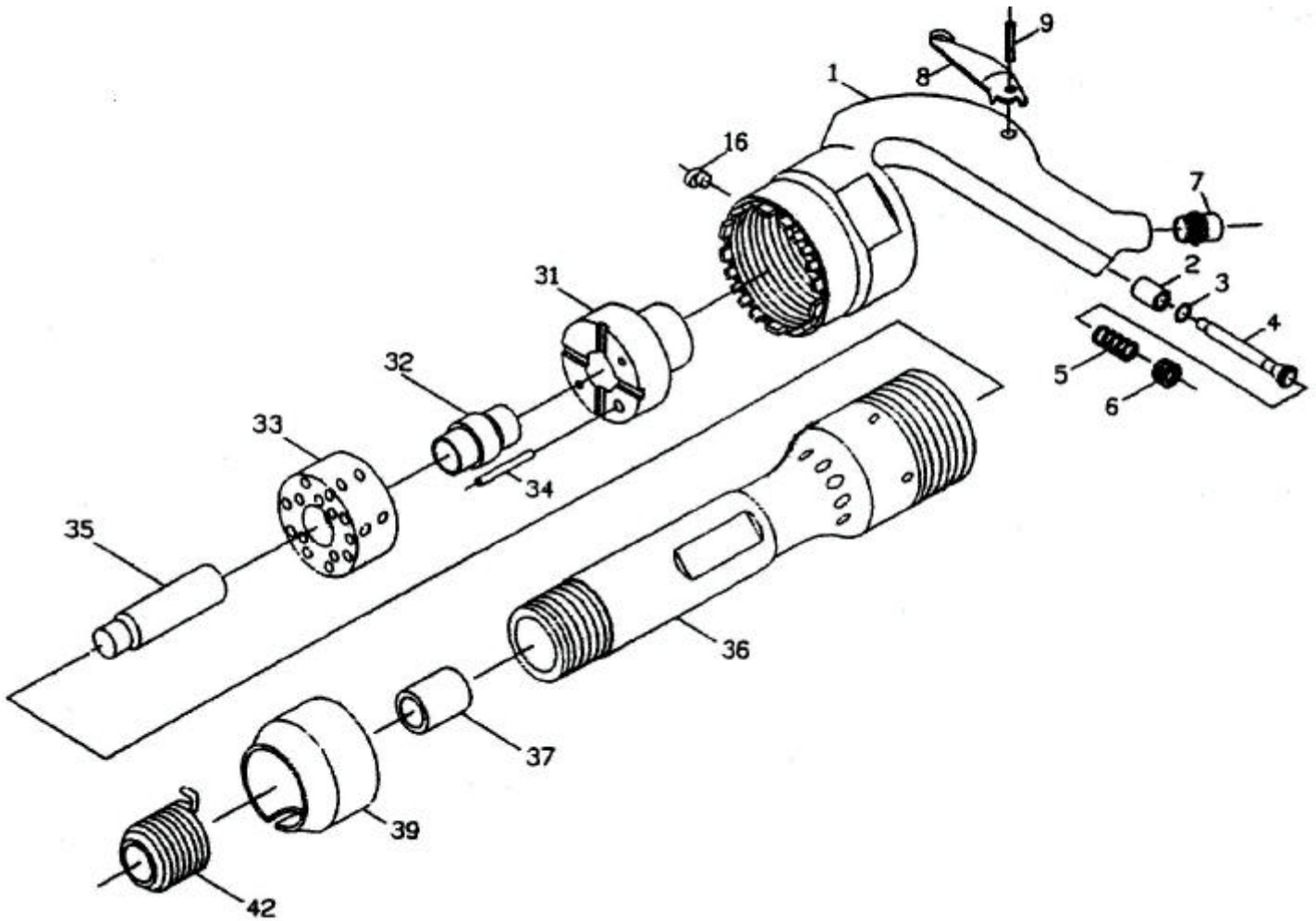


吉生 **GISON**

GP-195G/197G/199G Riveting Hammer



PARTS LIST

✿ Consuming Part

Item No.	Part No.	Description	Qty.	Item No.	Part No.	Description	Qty.
1	195G01	Gooseneck Handle	1	33	195G33	Valve Box	1
2	195G02	Push Pin Bushing	1	34	195G34	Doowel Pin-Valve Ass'y	1
3	195G03	Push Pin O-Ring	1	✿ 35	195G35	Piston (5x)	1
4	195G04	Push Pin	1		197G35	Piston (7x)	1
5	195G05	Push Pin Spring	1		199G35	Piston (9x)	1
6	195G06	Plug Screw	1	36	195G36	Cylinder (5x)	1
7	195G07	Air Inlet Bushing	1		197G36	Cylinder (7x)	1
8	195G08	Throttle Lever	1		199G36	Cylinder (89x)	1
9	195G09	Throttle Lever Fulcrum Pin	1	37	195G37	Rund Bushing	1
16	195G16	Pin, Cylinder Lock	1	38	195G38	Pin-Cylinder Lock	1
31	195G31	Valve Seat	1	39	195G39	Exhaust Deflector	1
32	195G32	Valve	1	42	195G42	"BEE-Hive" Retainer Spring	1