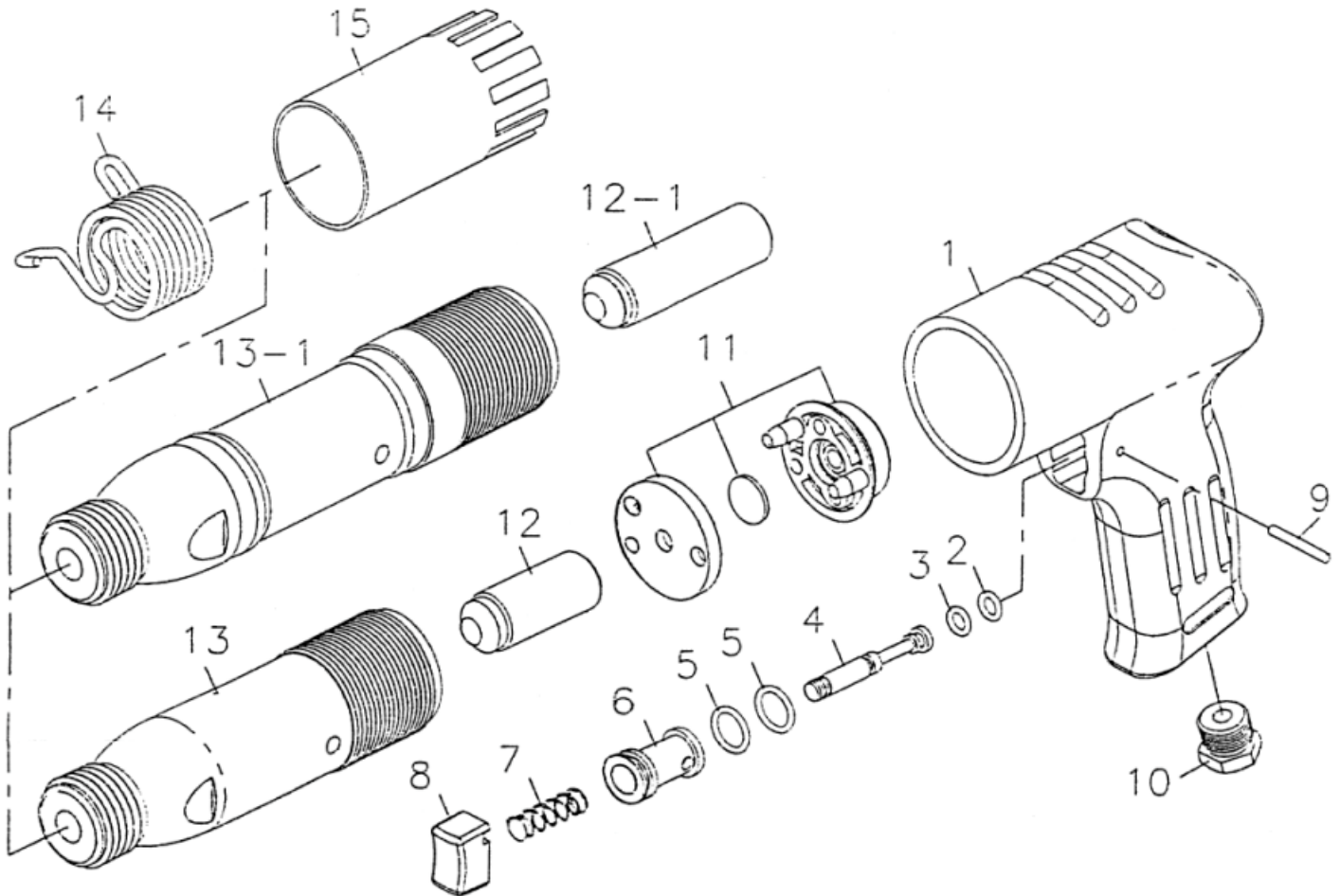


吉生 GISON

GP-190J/250J Air Hammer



PARTS LIST

✧ : Consuming Part

No.	Part No.	Description	Qty.	No.	Part No.	Description	Qty.
1	150001	Handle (For GP-190J)	1	10	190J10	Hose Adapter	1
	190J01	Handle (For GP-250J)		11	190J11	Valve Ass'y	1
2	190J02	O-Ring	1	12	190J12	Piston (For GP-190J)	1
3	190J03	O-Ring	1	12-1	250J12	Piston (For GP-250J)	
4	190J04	Valve Stem	1	13	190J13	Cylinder (Round For GP-190J)	1
5	190J05	O-Ring	1				
6	190J06	Valve Bushing	1	13-1	250J13	Cylinder (Round For GP-250J)	1
7	190J07	Spring	1				
8	190J08	Trigger	1	14	150014	Retainer Spring	1
9	190J09	Pin	1	15	190J15	Exhaust Deflector (For GP-250J)	1