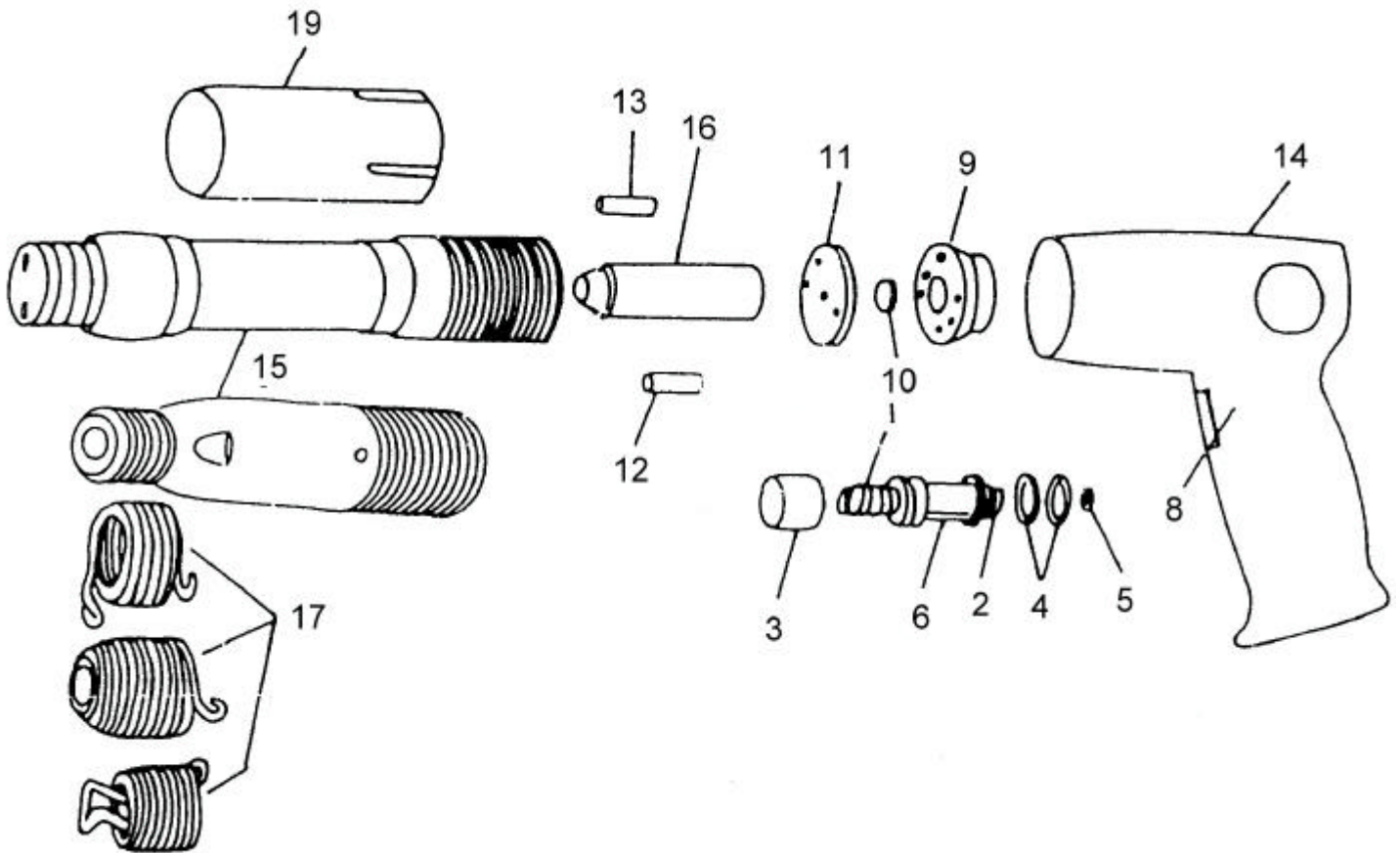


GISON Pneumatic Tools

GP-190C/190CH/250C/250CH Air Hammer



PARTS LIST

✳ :Consuming Part

Item No.	Part No.	Description	Qty.	Item No.	Part No.	Description	Qty.
1	190C01	Spring Valve	1	12	190C12	Dowel-Valve Case (Large)	1
2	190C02	Throttle-Valve Ass'y	1	13	190C13	Dowel-Valve Case (Small)	1
3	190C03	Button-Throttle	1	14	190C14	Handle	1
✳ 4	190C04	O-Ring	2	15	190C15	Overall-Length 171 mm (6-3/4")	1
✳ 5	190C05	O-Ring	1		250C15	Overall-Length 225 mm (8-7/8")	1
6	190C06	Bushing-Valve	1	✳ 16	190C16	Piston	1
7	190C07	Stem-Throttle Valve	1	17	190C17a	Retainer-Quick Change	1
8	190C08	Pin-Grooved	1		190C17b	Retainer-Bee Hive Type	1
9	190C09	Lid-Valve Case	1		190C17c	Retainer-Zip Change	1
10	190C10	Disk-Valve	1	19	190C19	Deflector	1
11	190C11	Case-Valve	1				

Features:

- .401" chisel shank opening.
- Positive action trigger to control speed.
- Open-piece housing design and hardened steel barrel construction for long life.
- Comfortable handle.
- Impact parts heat-treated for durability.
- GP-190C/190CH : 3,500 blows per minute.
- GP-250C/250CH : 2,100 blows per minute.