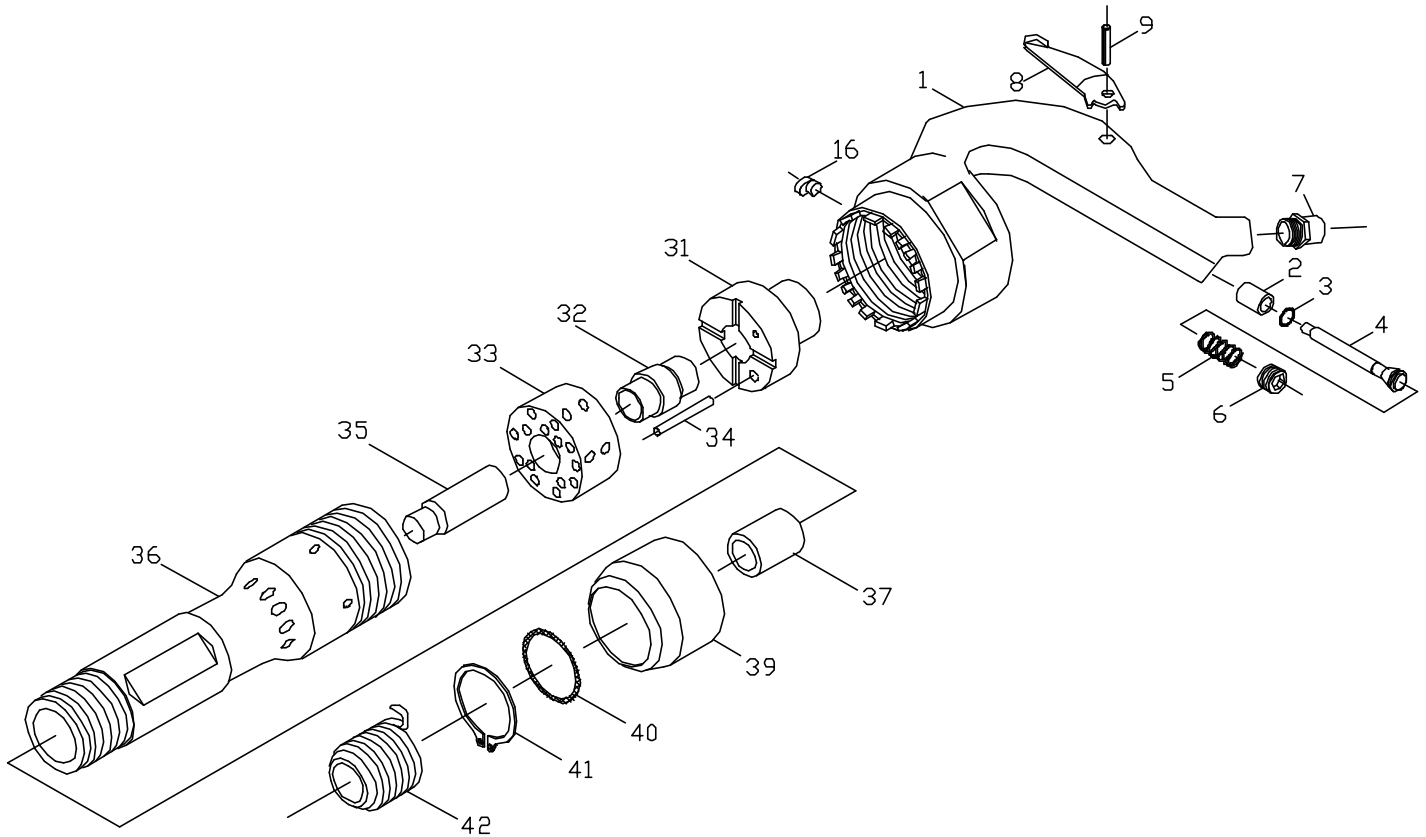


# 吉生 GISON

## GP-132G/133G/134G Riveting Hammer



### PARTS LIST

✦ :Consuming Part

Item No.	Part No.	Description	Qty.	Item No.	Part No.	Description	Qty.
01	132G01	Gooseneck Handle	1	34	132G34	Dowel Pin-Valve Ass'y	1
02	132G02	Push Pin Bushing	1	35	132G35	Piston (GP-132G)	1
03	132G03	Push Pin O-Ring	1		133G35	Piston (GP-133G)	
04	132G04	Push Pin	1		134G35	Piston (GP-134G)	
05	132G05	Push Pin Spring	1	36	132G36	Cylinder (GP-132G)	1
06	132G06	Plug Screw	1		133G36	Cylinder (GP-133G)	
07	132G07	Air Inlet Bushing	1		134G36	Cylinder (GP-134G)	
08	132G08	Throttle Lever	1	37	132G37	Round Bushing	1
09	132G09	Throttle Lever Fulcrum Pin	1	38	132G38	Pin-Cylinder Lock	1
16	132G16	Pin , Cylinder Lock	1	39	132G39	Exhaust Deflector	1
31	132G31	Valve Seat	1	40	132G40	O-Ring	1
32	132G32	Valve	1	41	132G41	Retaining Ring	1
33	132G33	Valve Box	1	42	132G42	"Bee-Hive" Retainer Spring	1