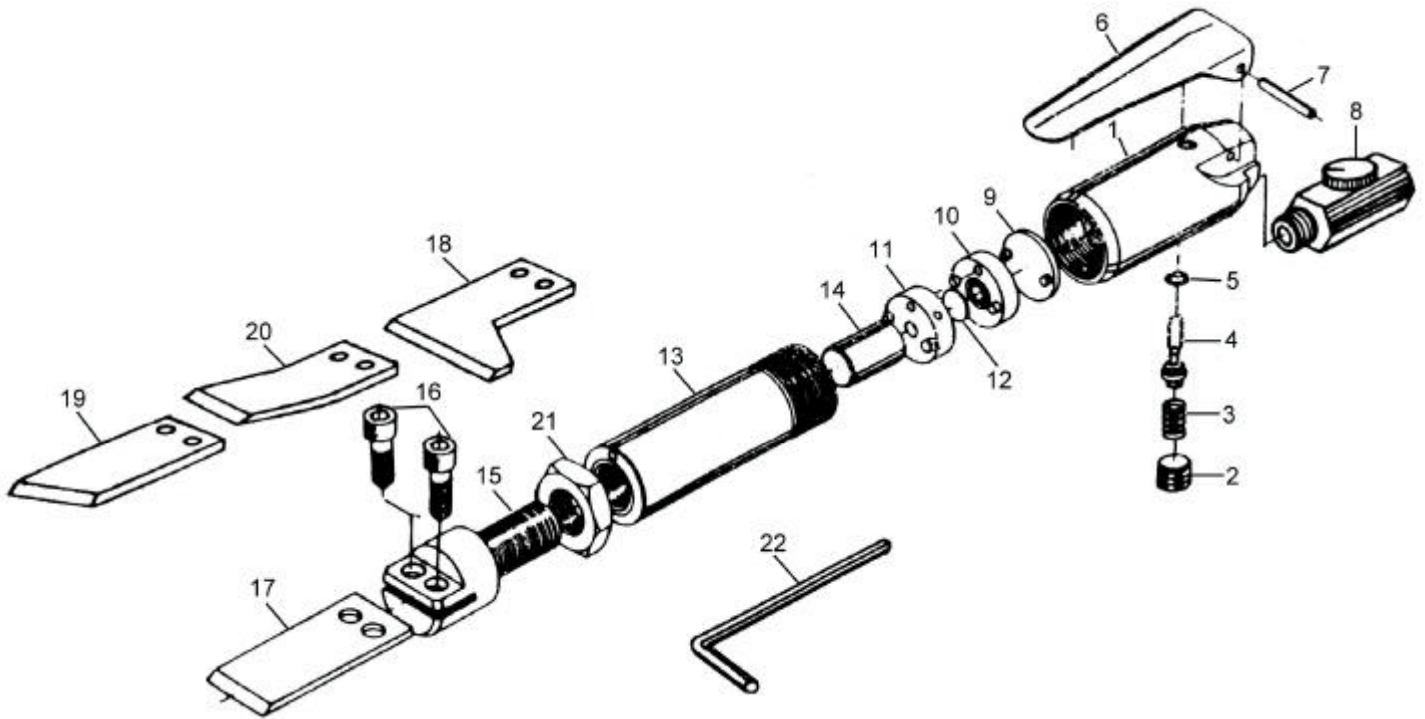


吉生 GISON

GP-131 Air Scraper



PARTS LIST

★ :Consuming Part

| Item No. | Part No. | Description | Qty. | Item No. | Part No. | Description | Qty. |
|----------|----------|---------------|------|----------|----------|---------------------------|------|
| 1 | 131001 | Handle | 1 | 13 | 131013 | Cylinder Ass'y. | 1 |
| 2 | 131002 | Screw Plug | 1 | 14 | 131014 | Piston | 1 |
| 3 | 131003 | Spring | 1 | 15 | 131015 | Blade Holder | 1 |
| 4 | 131004 | Valve Stem | 1 | 16 | 131016 | Lock Screw | 2 |
| 5 | 131005 | O-Ring | 1 | 17 | 131017 | Scraping Blade - Standard | 1 |
| 6 | 131006 | Trigger | 1 | 18 | 131018 | Scraping Blade - Optional | 1 |
| 7 | 131007 | Roll Pin | 2 | 19 | 131019 | Scraping Blade - Optional | 1 |
| 8 | 131008 | Air Regulator | 1 | 20 | 131020 | Scraping Blade - Optional | 1 |
| 9 | 131009 | Upper Valve | 1 | 21 | 131021 | Lock Nut | 1 |
| 10 | 131010 | Middle Valve | 1 | 22 | 131022 | 4 mm Hex. Wrench | 1 |
| 11 | 131011 | Lower Valve | 1 | 23 | 131023 | 1/4" Mini Oiler | 1 |
| 12 | 131012 | Valve Disc | 1 | 24 | 131024 | Plastic Box | 1 |