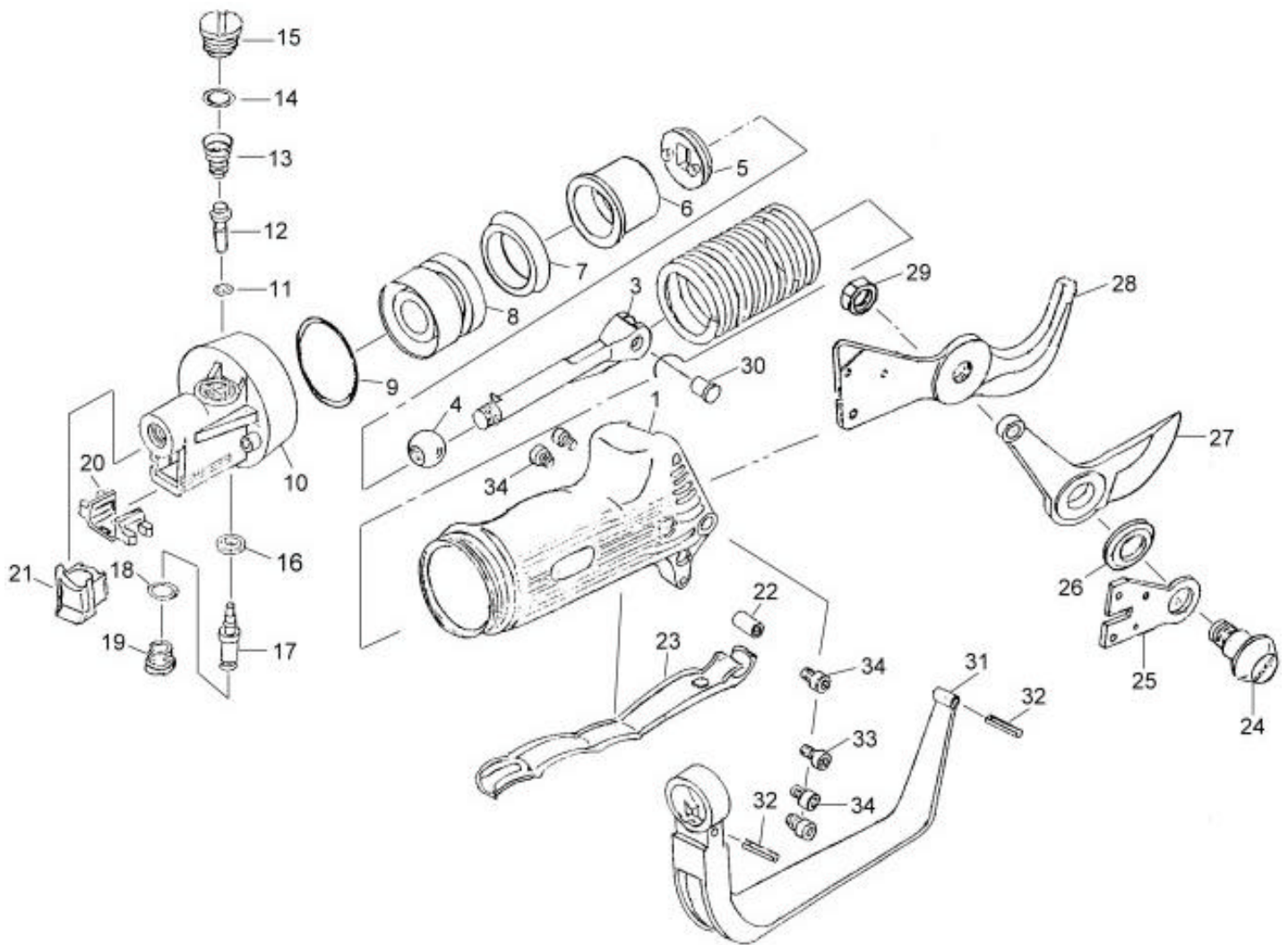




GISON Pneumatic Tools

GP-109 Air Shear



PARTS LIST

✳ : Consuming Part

Item No.	Part No.	Description	Qty.	Item No.	Part No.	Description	Qty.
1	109001	Housing	1	18	109018	O-Ring	1
2	109002	Spring	1	19	109019	Bushing	1
3	109003	Shaft	1	20	109020	Safety Slider	1
4	109004	Join Ter	1	21	109021	Muffer	1
5	109005	Bumper	1	22	109022	Trigger Pin	1
6	109006	Washer	1	23	109023	Trigger	1
7	109007	Piston Ring	1	24	109024	Bolt	1
8	109008	Piston	1	25	109025	Guide Plate	1
9	109009	O-Ring	1	26	109026	Washer	1
10	109010	End Cap	1	27	109027	Blade	1
11	109011	O-Ring	1	28	109028	Blade	1
12	109012	Front Push Rod	1	29	109029	Nut	1
13	109013	Valve Spring	1	30	109030	Pin	1
14	109014	O-Ring	1	31	109031	Handle Guard	1
15	109015	Valve Screw	1	32	109032	Pin	2
16	109016	O-Ring	1	33	109033	Screw	1
17	109017	Valve Stem	1	34	109034	Screw	5