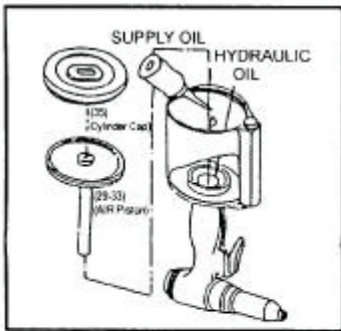


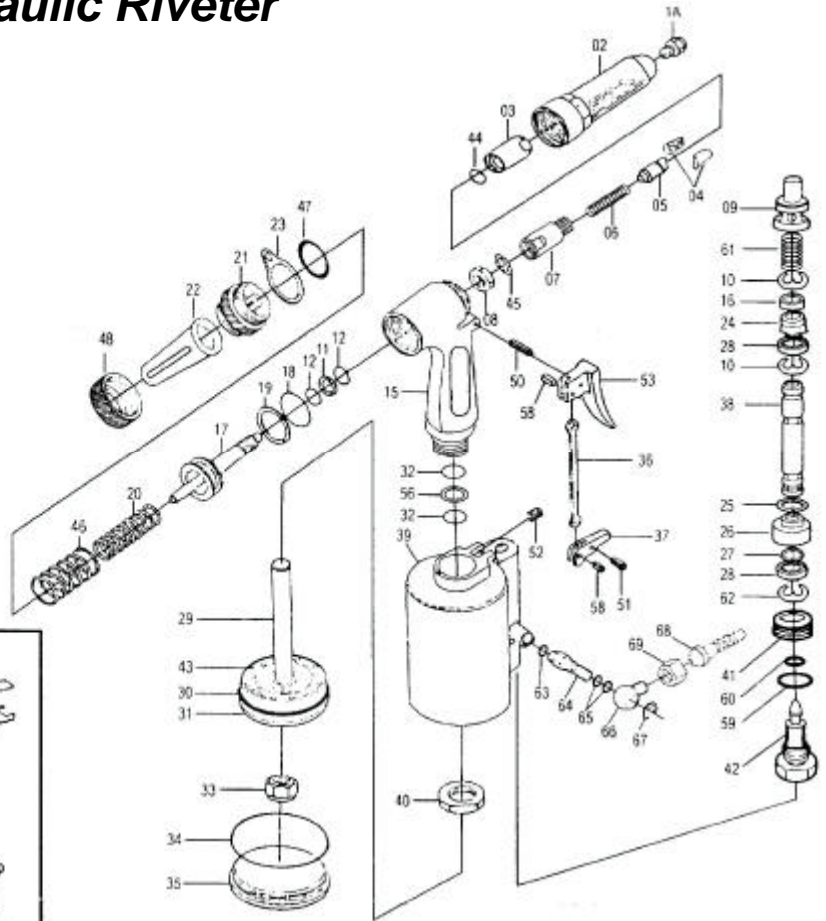
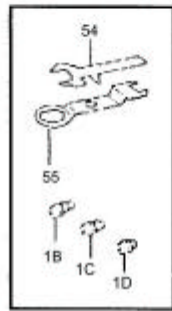
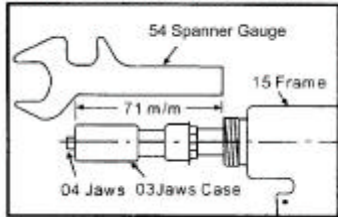
吉生 GISON

GP-104V Air Hydraulic Riveter

ADDING OIL METHOD



ADJUSTING LENGTH

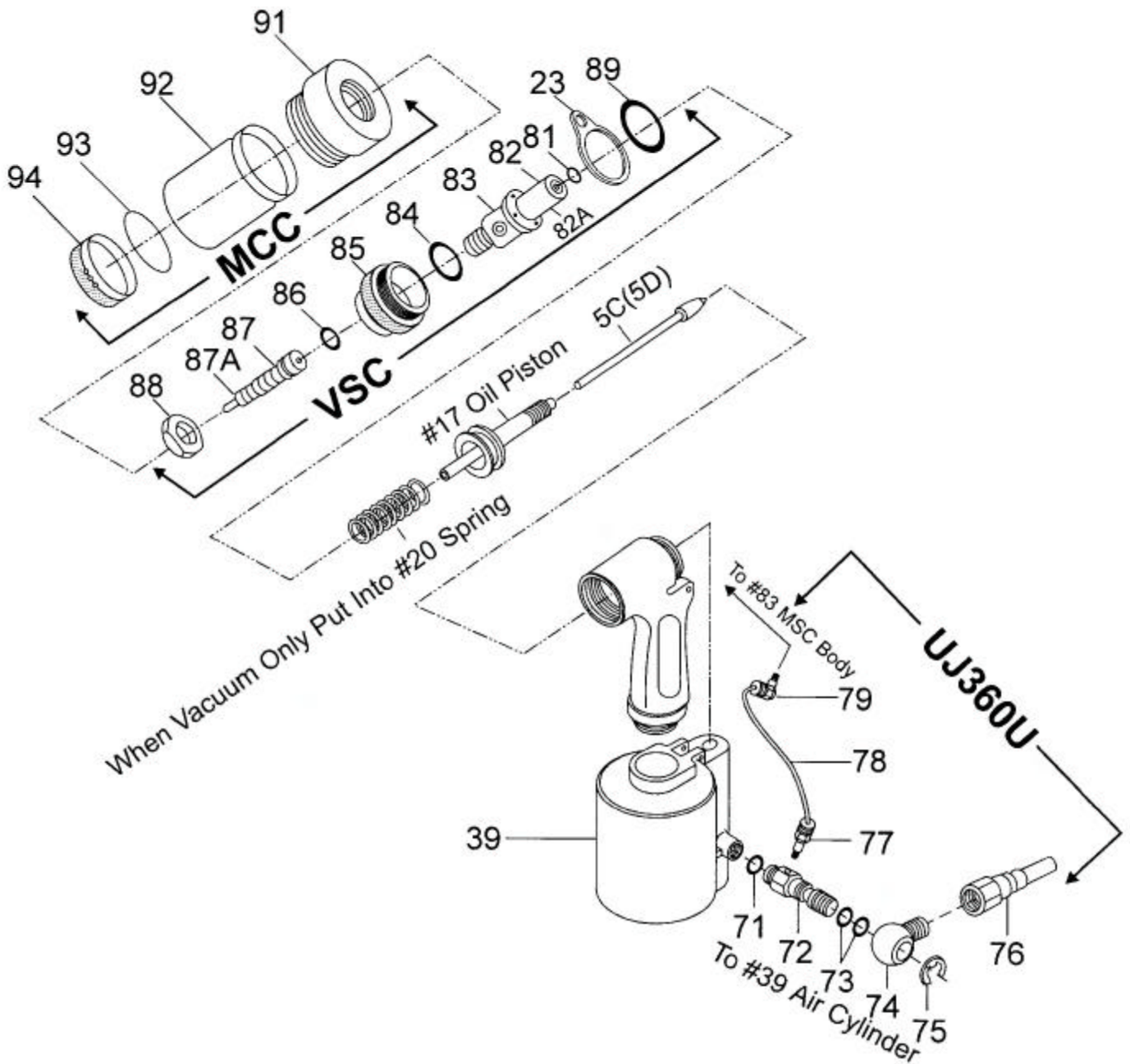


PARTS LIST

✧ : Optional Accessories

Item No.	Part No.	Description	Qty.	Item No.	Part No.	Description	Qty.
1A	104001A	Nosepiece 4.8 mm (3/16")	1	32	104032	O-Ring (P12)	2
1B	104001B	Nosepiece 4.0 mm (5/32")	1	33	104033	Lock Nut	1
1C	104001C	Nosepiece 3.2 mm (1/8")	1	34	104034	O-Ring (G70)	1
1D	104001D	Nosepiece 2.4 mm (3/32")	1	35	104035	Cylinder Cap	1
02	104002	Nose Housing (87L)	1	36	104036	Trigger Rod	1
✧ 02L	104002L	Long Nose Housing (162L)	1	37	104037	Trigger Lever	1
03	104003	Jaws Case Ahead	1	38	104038	Valve Tube	1
04	104004	Jaws "M" (5 ×10)	2	39	104039	Air Cylinder	1
05	104005	Jaw Pusher	1	40	104040	Frame Lock Nut	1
06	104006	Jaw Case Spring	1	41	104041	Nipple Screw	1
07	104007	Jaw Case Back Part	1	42	104042	End Plug	1
✧ 07L	104007L	Long Jaw Case Back Part	1	43	104043	Rubber Cushion	1
08	104008	Jaw Case Lock Nut	1	44	104044	Jaw Case O-Ring (S10)	1
09	104009	Valve Pusher	1	45	104045	Washer Ring (AW7/16")	1
10	104010	E-Ring (E6)	2	46	104046	Return Spring (Big)	1
11	104011	Back Up Ring (P12)	1	47	104047	Frame Cap Ring (S26)	1
12	104012	O-Ring (P12)	2	48	104048	Safety Cap Nut	1
15	104015	Frame	1	50	104050	Pin (3 ×24)	1
16	104016	Collar For Valve Tube	1	51	104051	Lever Pin (3 ×20)	1
17	104017	Oil Piston	1	52	104052	Lock Screw (M6 ×5L)	1
18	104018	O-Ring (P22A)	1	53	104053	Trigger (Long)	1
19	104019	Back Up Ring (P22A)	1	54	104054	Spanner Gauge	1
20	104020	Return Spring (Small)	1	55	104055	Spanner	1
21	104021	Frame Cap	1	56	104056	Back-Up Ring (P12)	1
22	104022	Safety Cap	1	58	104058	Trigger Pin (3 ×8)	2
23	104023	Hanger Clip	1	59	104059	O-Ring (P12)	1
24	104024	Air Valve Seal	1	60	104060	Seal	1
25	104025	O-Ring (P10A)	1	61	104061	Pusher Spring	1
26	104026	Valve Seat	1	62	104062	E-Ring (E6)	1
27	104027	O-Ring (4.4 ×2.62)	1	✧ 63-67	101063-67	Universal Joint	1
28	104028	Valve Collar Washer	2	✧ 68	101068	Air Hose Jonit (5/16")	1
29	104029	Air Piston Rod	1	✧ 69	101069	Air Hose Joint Nut (1/4")	1
30	104030	O-Ring (P60)	1	✧ 70	101070	Outer Thread Joint (PM20)	1
31	104031	Air Piston	1				

Vacuum System (VSC) and Mandrel Collection Cap (MCC)



PARTS LIST

✳ :Consuming Part

Item No.	Part No.	Description	Qty.	Item No.	Part No.	Description	Qty.
Universal Joint (360°) Unit			1	82	104V82	MCS Adaptor (3/32"~3/16")	1
71	104V71	O-Ring	1	82A	104V82A	MCS Adaptor (3/16"~1/4")	
72	104V72	Double Male Connector	1	83	104V83	MCS Body	1
73	104V73	O-Ring	2	84	104V84	O-Ring	1
74	104V74	Hinged (Rotary) Joint	1	85	104V85	MCS Cap	1
75	104V75	E-Ring	1	86	104V86	O-Ring	1
76	104V76	Air Hose Joint (1/4)	1	87	104V87	MCS Nozzle	1
77	104V77	Pin Joint	2	87A	104V87A	MCS Nozzle (3/32"~3/16")	
78	104V78	PU Hose (2.5x4.0)	1	88	104V88	HexagonthIn Nut	1
79	104V79	90° Pin Joint	1	89	104V89	O-Ring 26.5 X 2.5(MCS)	1
79A	104V79A	#77 And #79 PE Washer	1	Mandrel Collector Cap Unit			1
Vacuum Collector Unit 3/16"			1	91	104V91	Rivete Container Nut	1
Vacuum Collector Unit 1/4"				92	104V92	Rivete Container	1
5C	104V5C	Pusher Pipe (3/32"~3/16")	1	93	104V93	O-Ring	1
5D	104V5D	Pusher Pipe (3/16"~1/4")		94	104V94	Rivete Container Cap	1
81	104V81	O-Ring	1				