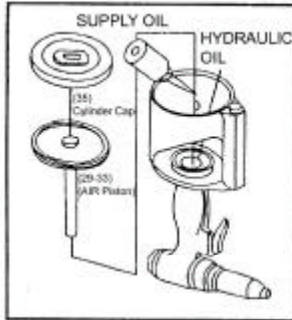


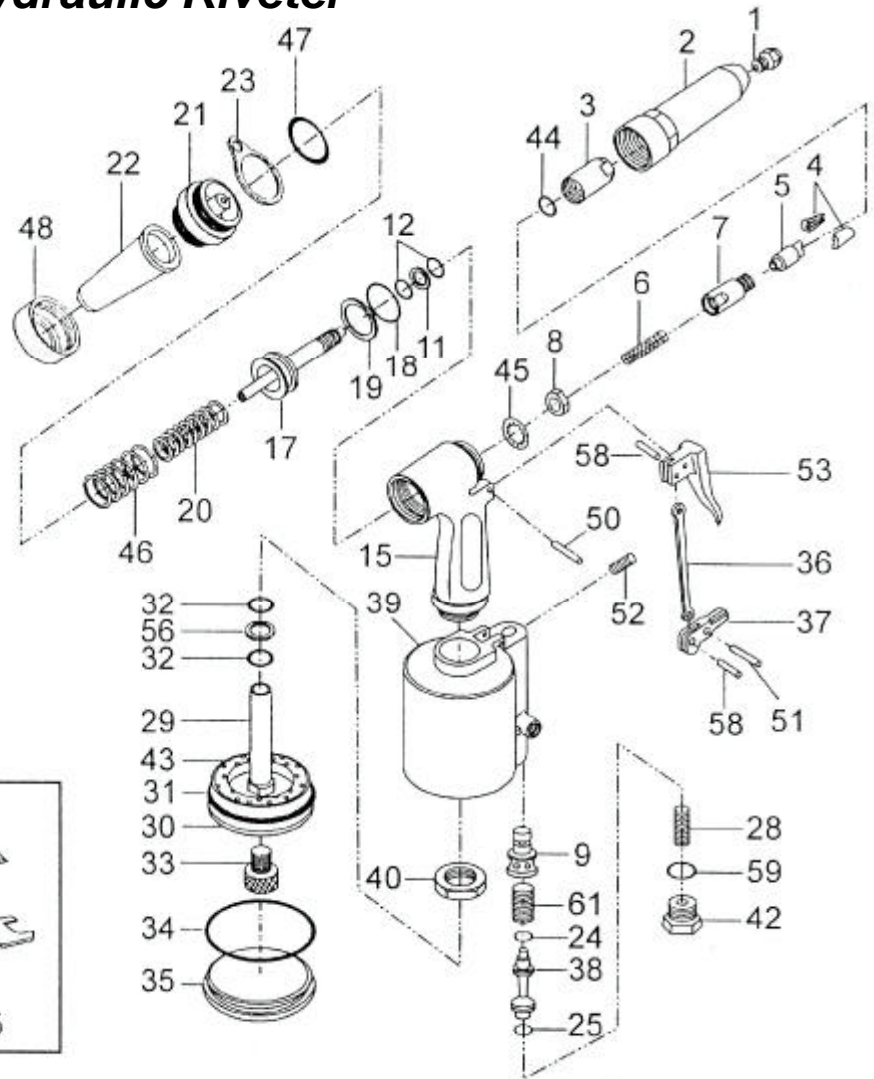
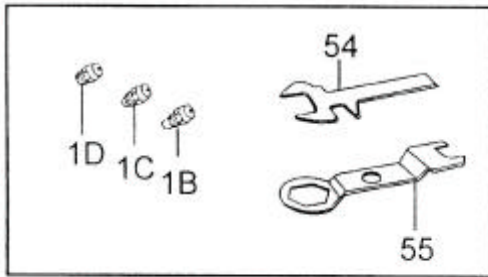
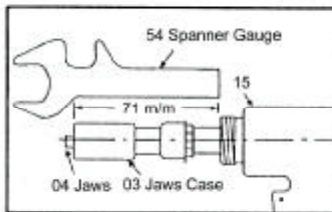
吉生 GISON

GP-104S Air Hydraulic Riveter

ADDING OIL METHOD



ADJUSTING LENGTH



PARTS LIST

★ : Optional Accessories

Item No.	Part No.	Description	Qty.	Item No.	Part No.	Description	Qty.
1A	104S01A	Nosepiece 4.8 mm (3/16")	1	31	104S31	Air Piston	1
1B	104S01B	Nosepiece 4.0 mm (5/32")	1	32	104S32	O-Ring	2
1C	104S01C	Nosepiece 3.2 mm (1/8")	1	33	104S33	Screw	1
1D	104S01D	Nosepiece 2.4 mm (3/32")	1	34	104S34	O-Ring	1
02	104S02	Nose Housing (87L)	1	35	104S35	Cylinder Cap	1
★ 02L	104S02L	Long Nose Housing (162L)	1	36	104S36	Trigger Rod	1
03	104S03	Jaws Case Ahead Part	1	37	104S37	Trigger Lever	1
04	104S04	Jaws (5 ×10)	2	38	104S38	Valve Pipe	1
05	104S05	Jaw Pusher	1	39	104S39	Air Cylinder	1
06	104S06	Jaw Case Spring	1	40	104S40	Frame Lock Nut	1
07	104S07	Jaw Case Back Part	1	42	104S42	Valve Cap Nut	1
★ 07L	104S07L	Long Jaw Case Back Part	1	43	104S43	Rubber Cushion	1
08	104S08	Case Lock Nut	1	44	104S44	Jaw Case O-Ring	1
09	104S09	Valve Pusher	1	45	104S45	Washer Ring	1
11	104S11	Back Up Ring	1	46	104S46	Return Spring (Big)	1
12	104S12	O-Ring	2	47	104S47	Frame Cap Ring	1
15	104S15	Frame	1	48	104S48	Cap Nut	1
17	104S17	Oil Piston	1	49	104S49	Bolt Plug (M8)	1
18	104S18	O-Ring	1	50	104S50	Pin	1
19	104S19	Back Up Ring	1	51	104S51	Lever Pin	1
20	104S20	Return Spring (Small)	1	52	104S52	Screw	1
21	104S21	Frame Cap	1	53	104S53	Trigger (Long)	1
22	104S22	Dust Cap	1	★ 53A	104S53A	Trigger (Short)	1
23	104S23	Hanging Clip	1	54	104S54	Spanner Gauge	1
24	104S24	O-Ring	1	55	104S55	Spanner	1
25	104S25	O-Ring	1	56	104S56	Back-Up Ring	1
28	104S28	Spring	1	58	104S58	Trigger Pin	2
29	104S29	Air Piston Rod	1	59	104S59	O-Ring	1
30	104S30	O-Ring	1	61	104S61	Valve Spring	1