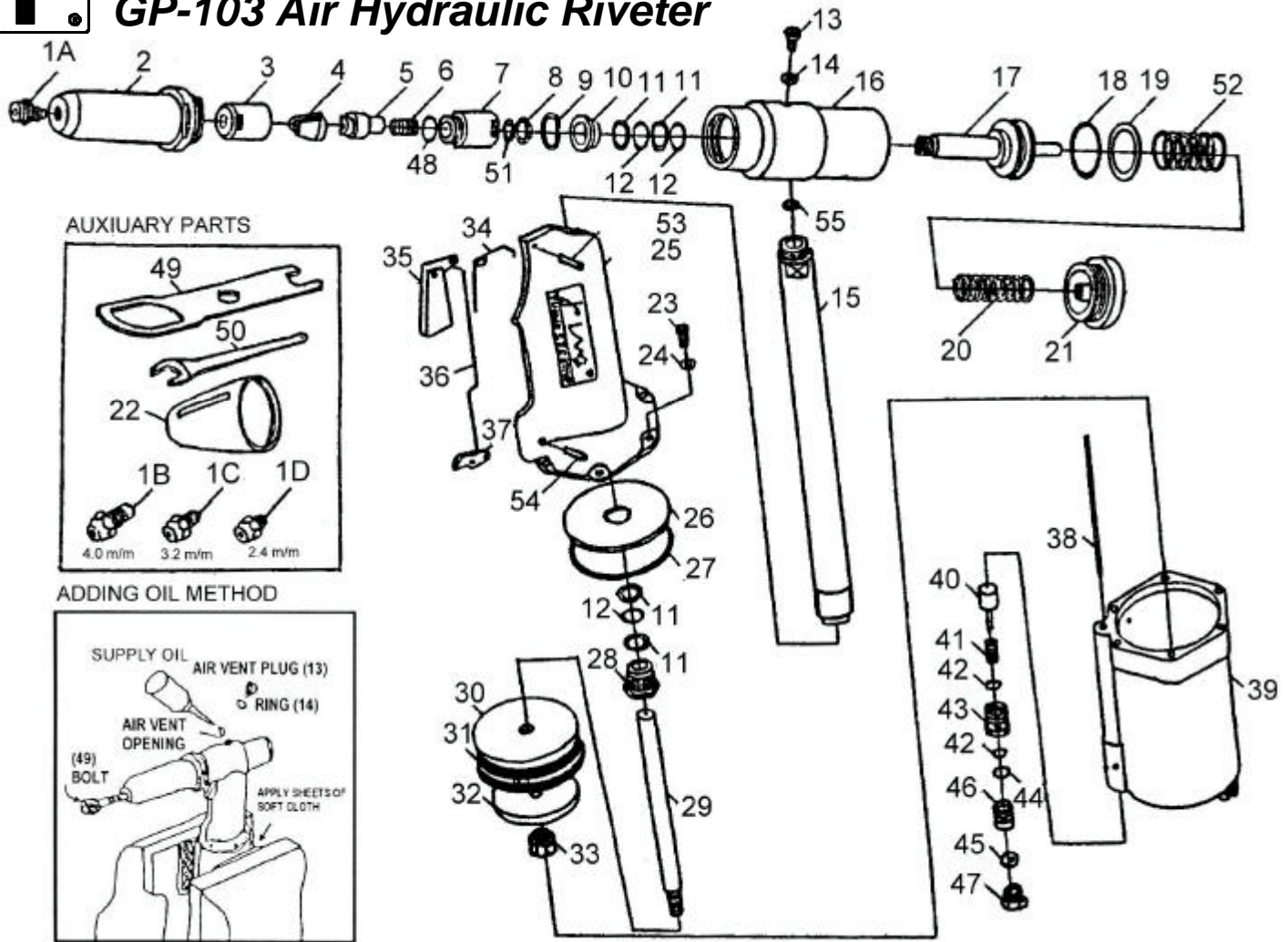


吉生 GISON

GP-103 Air Hydraulic Riveter



PARTS LIST

✳ : Consuming Part

No.	Part No.	Description	Qty.	No.	Part No.	Description	Qty.
01	103001	Nose Piece (1A-4.8, 1A-4.0, 1C-3.2, 1D-2.4)	1	28	103028	Gland Washer	1
02	103002	Frame Head	1	29	103029	Air Piston Rod	1
03	103003	Jaw Case Ahead Part	1	30	103030	Air Piston Board	1
04	103004	Jaws (10 mm)	2	31	103031	Cup Packing (Ø65)	1
05	103005	Jaw Pusher	1	32	103032	Packing Washer	1
06	103006	Jaw Case Spring	1	33	103033	Rock Nut (M8x12)	1
07	103007	Jaw Case Back Part	1	34	103034	Trigger Spring	1
08	103008	Case Lock Nut (M10x4t)	1	35	103035	Trigger	1
09	103009	C-Ring (R19)	1	36	103036	Trigger Rod	1
10	103010	Gland Washer	1	37	103037	Trigger Lever	1
11	103011	Back Up Ring (P11)	2	38	103038	Control Rod	1
12	103012	O-Ring (P11)	3	39	103039	Air Cylinder	1
13	103013	Air Blow Plug (M6x10)	3	40	103040	Control Valve	1
14	103014	Packing (M6)	1	41	103041	Control Spring	1
15	103015	Oil Room	1	42	103042	O-Ring (P6)	2
16	103016	Oil Cylinder	1	43	103043	Guide	1
17	103017	Oil Piston	1	44	103044	O-Ring (P7)	1
18	103018	O-Ring (P22A)	1	45	103045	Ball Valve	1
19	103019	Back Up Ring (P22A)	1	46	103046	Valve Guide	1
20	103020	Return Spring (Small)	1	47	103047	Valve Cap	1
21	103021	Frame Cap	1	48	103048	O-Ring (8.5x1.5)	1
22	103022	Dust Cap	1	49	103049	Spanner Gauge	1
23	103023	Screw (M5X10)	6	50	103050	Spanner	1
24	103024	Spring Washer (M5)	6	51	103051	Washer (M10)	1
25	103025	Body Cover	1	52	103052	Spring Part	1
26	103026	Plate	1	53	103053	Pin (3x14)	1
27	103027	O-Ring (P56)	1	54	103054	Pin (2x14)	1
				55	103055	Seal Ring	1