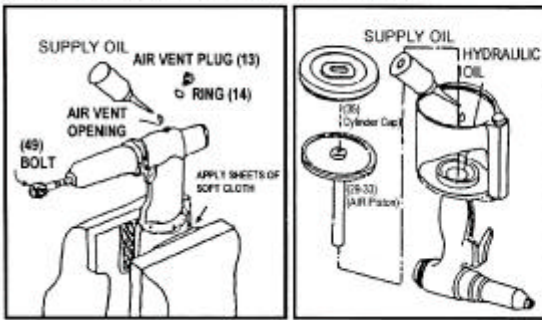


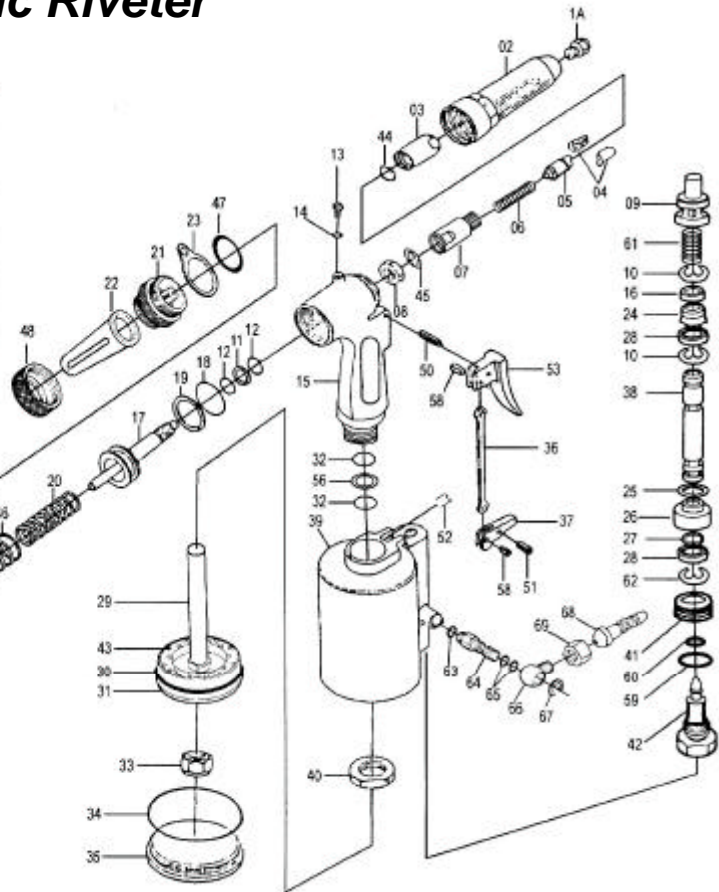
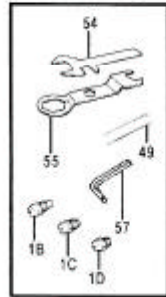
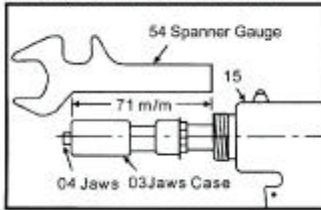
吉生 GISON

GP-102V Air Hydraulic Riveter

ADDING OIL METHOD (-) (二)



ADJUSTING LENGTH

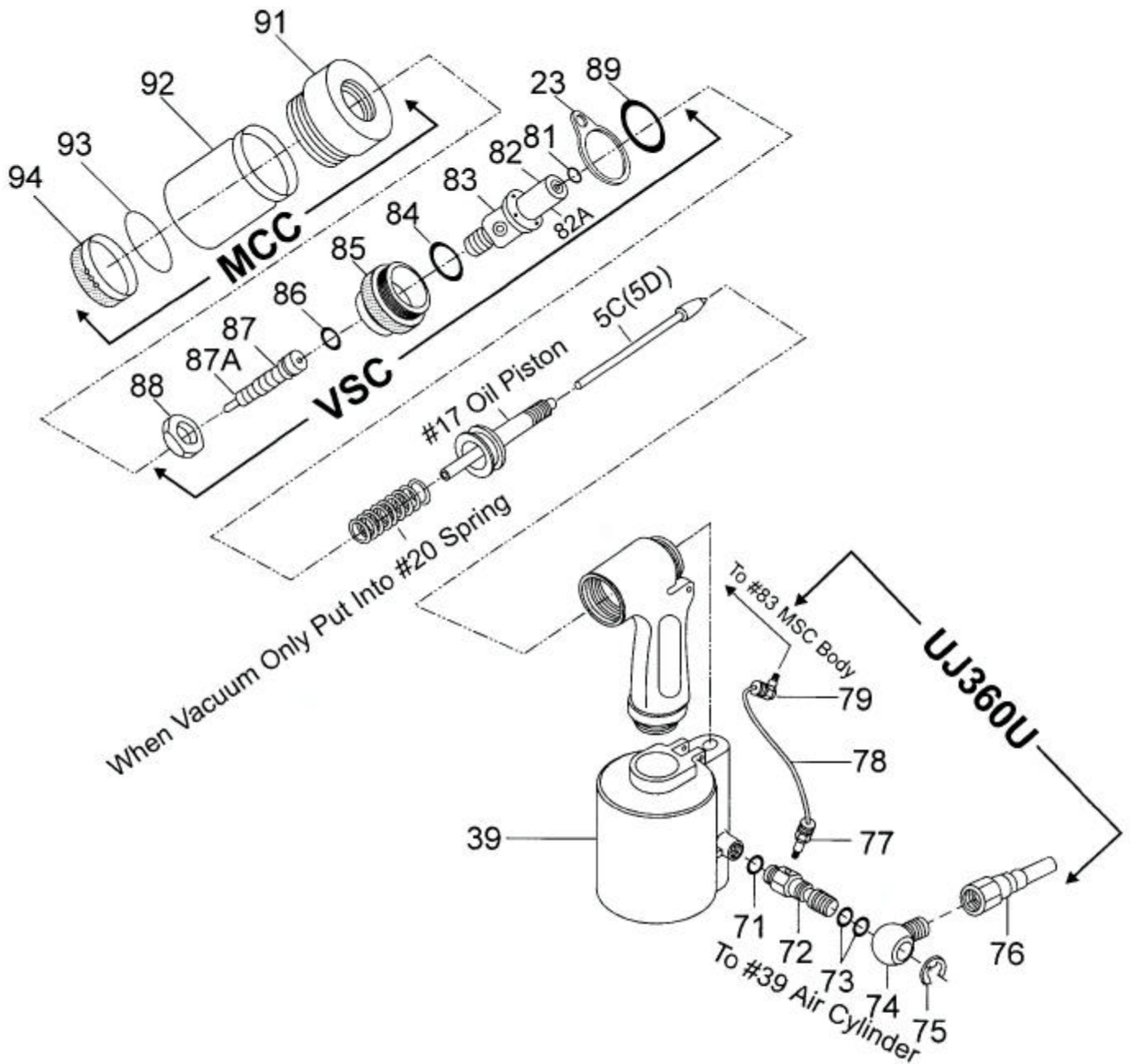


PARTS LIST

☆ : Optional Accessories

Item No.	Part No.	Description	Qty.	Item No.	Part No.	Description	Qty.
1A	102001A	Nosepiece 4.8 mm (3/16")	1	32	102032	O-Ring (P12)	2
1B	102001B	Nosepiece 4.0 mm (5/32")	1	33	102033	Lock Nut	1
1C	102001C	Nosepiece 3.2 mm (1/8")	1	34	102034	O-Ring (G70)	1
1D	102001D	Nosepiece 2.4 mm (3/32")	1	35	102035	Cylinder Cap	1
02	102002	Nose Housing (87L)	1	36	102036	Trigger Rod	1
☆ 02L	102002L	Long Nose Housing (162L)	1	37	102037	Trigger Lever	1
03	102003	Jaws Case Ahead	1	38	102038	Valve Tube	1
04	102004	Jaws "M" (5x10)	2	39	102039	Air Cylinder	1
05	102005	Jaw Pusher	1	40	102040	Frame Lock Nut	1
06	102006	Jaw Case Spring	1	41	102041	Nipple Screw	1
07	102007	Jaw Case Back Part	1	42	102042	End Plug	1
☆ 07L	102007L	Long Jaw Case Back Part	1	43	102043	Rubber Cushion	1
08	102008	Jaw Case Lock Nut	1	44	102044	Jaw Case O-Ring (S10)	1
09	102009	Valve Pusher	1	45	102045	Washer Ring (AW7/16")	1
10	102010	E-Ring (E6)	2	46	102046	Return Spring (Big)	1
11	102011	Back Up Ring (P12)	1	47	102047	Frame Cap Ring (S26)	1
12	102012	O-Ring (P12)	2	48	102048	Safety Cap Nut	1
13	102013	Air Blow Plug	1	49	102049	M8 Bolt Plug	1
14	102014	Packing Seal	1	50	102050	Pin (3 ×20)	1
15	102015	Frame	1	51	102051	Lever Pin (3 ×20)	1
16	102016	Collar For Valve Tube	1	52	102052	Lock Screw	1
17	102017	Oil Piston	1	53	102053	Trigger (Long)	1
18	102018	O-Ring (P22A)	1	54	102054	Spanner Gauge	1
19	102019	Back Up Ring (P22A)	1	55	102055	Spanner	1
20	102020	Return Spring (Small)	1	56	102056	Back-Up Ring (P12)	1
21	102021	Frame Cap	1	57	102057	Hex. Wrench	1
22	102022	Safety Cap	1	58	102058	Trigger Pin (3 ×8)	2
23	102023	Hanger Clip	1	59	102059	O-Ring (P12)	1
24	102024	Air Valve Seal	1	60	102060	Seal	1
25	102025	O-Ring (P10A)	1	61	102061	Pusher Spring	1
26	102026	Valve Seal	1	62	102062	E-Ring (E6)	1
27	102027	O-Ring (4.4 ×2.62)	1	☆ 63~67	102063~67	Universal Joint	1
28	102028	Valve Collar Washer	2	☆ 68	102068	Air Hose Jonit (5/16")	1
29	102029	Air Piston Rod	1	☆ 69	102069	Air Hose Joint Nut (1/4")	1
30	102030	O-Ring (P60)	1	☆ 70	102070	Outer Thread Joint (PM20)	1
31	102031	Air Piston	1				

Vacuum System (VSC) and Mandrel Collection Cap (MCC)



PARTS LIST

✳ : Consuming Part

Item No.	Part No.	Description	Qty.	Item No.	Part No.	Description	Qty.
Universal Joint (360°) Unit			1	82	102V82	MCS Adaptor (3/32"~3/16")	1
71	102V71	O-Ring	1	82A	102V82A	MCS Adaptor (3/16"~1/4")	
72	102V72	Double Male Connector	1	83	102V83	MCS Body	1
73	102V73	O-Ring	2	84	102V84	O-Ring	1
74	102V74	Hinged (Rotary) Joint	1	85	102V85	MCS Cap	1
75	102V75	E-Ring	1	86	102V86	O-Ring	1
76	102V76	Air Hose Joint (1/4)	1	87	102V87	MCS Nozzle	1
77	102V77	Pin Joint	2	87A	102V87A	MCS Nozzle (3/32"~3/16")	
78	102V78	PU Hose (2.5x4.0)	1	88	102V88	HexagonthIn Nut	1
79	102V79	90° Pin Joint	1	89	102V89	O-Ring 26.5 X 2.5(MCS)	1
79A	102V79A	#77 And #79 PE Washer	1	Mandrel Collector Cap Unit			1
Vacuum Collector Unit 3/16"			1	91	102V91	Rivete Container Nut	1
Vacuum Collector Unit 1/4"				92	102V92	Rivete Container	1
5C	102V5C	Pusher Pipe (3/32"~3/16")	1	93	102V93	O-Ring	1
5D	102V5D	Pusher Pipe (3/16"~1/4")		94	102V94	Rivete Container Cap	1
81	102V81	O-Ring	1				