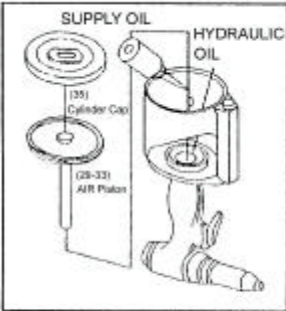
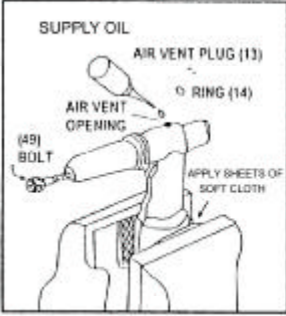


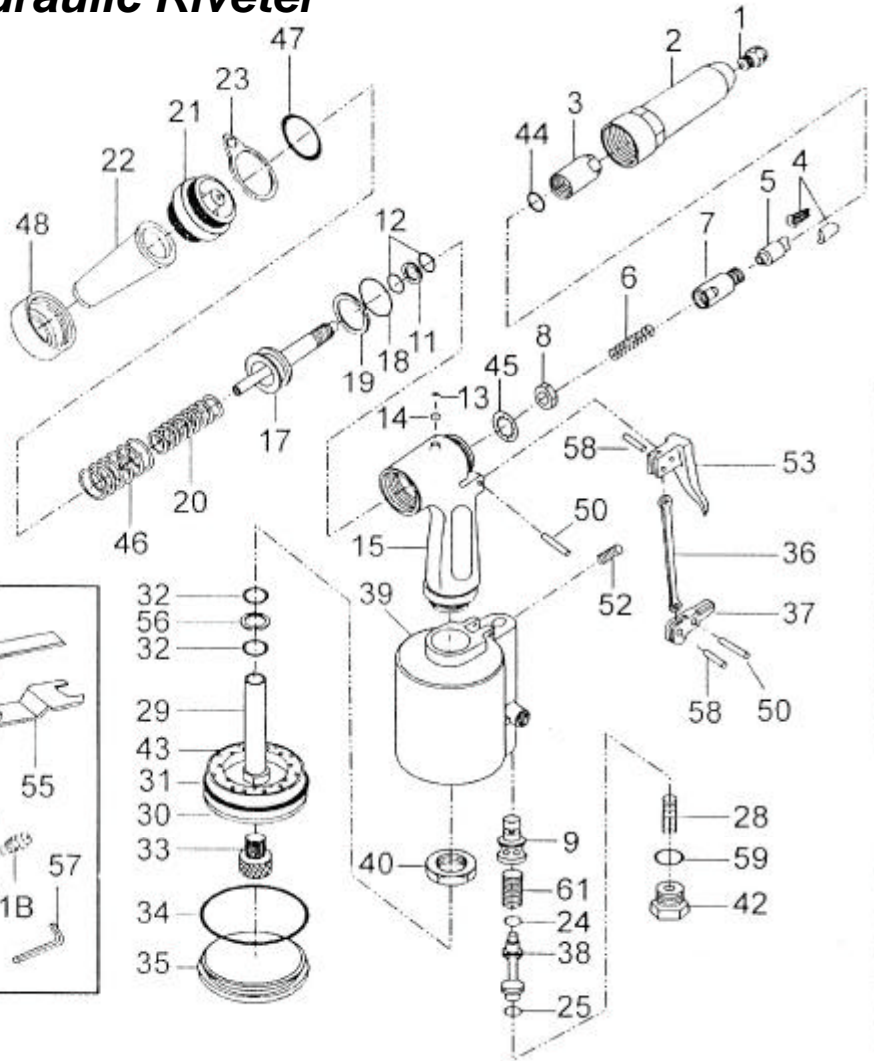
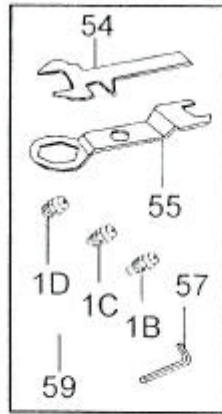
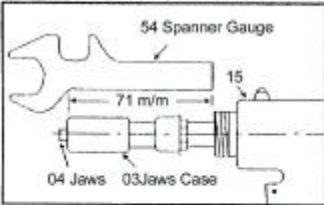
吉生 GISON

GP-102S Air Hydraulic Riveter

ADDING OIL METHOD (一) (二)



ADJUSTING LENGTH



PARTS LIST

✧ : Optional Accessories

Item No.	Part No.	Description	Qty.	Item No.	Part No.	Description	Qty.
1A	102S01A	Nosepiece 4.8 mm (3/16")	1	30	102S30	O-Ring	1
1B	102S01B	Nosepiece 4.0 mm (5/32")	1	31	102S31	Air Piston	1
1C	102S01C	Nosepiece 3.2 mm (1/8")	1	32	102S32	O-Ring	2
1D	102S01D	Nosepiece 2.4 mm (3/32")	1	33	102S33	Screw	1
02	102S02	Nose Housing (87L)	1	34	102S34	O-Ring	1
✧ 02L	102S02L	Long Nose Housing (162L)	1	35	102S35	Cylinder Cap	1
03	102S03	Jaws Case Ahead Part	1	36	102S36	Trigger Rod	1
04	102S04	Jaws (5 × 10)	2	37	102S37	Trigger Lever	1
05	102S05	Jaw Pusher	1	38	102S38	Valve Pipe	1
06	102S06	Jaw Case Spring	1	39	102S39	Air Cylinder	1
07	102S07	Jaw Case Back Part	1	40	102S40	Frame Lock Nut	1
✧ 07L	102S07L	Long Jaw Case Back Part	1	42	102S42	Valve Cap Nut	1
08	102S08	Case Lock Nut	1	43	102S43	Rubber Cushion	1
09	102S09	Valve Pusher	1	44	102S44	Jaw Case O-Ring	1
11	102S11	Back Up Ring	2	45	102S45	Washer Ring	1
12	102S12	O-Ring	1	46	102S46	Return Spring (Big)	1
13	102S13	Air Blow Plug	1	47	102S47	Frame Cap Ring	1
14	102S14	Packing	1	48	102S48	Cap Nut	1
15	102S15	Frame	1	49	102S49	Bolt Plug (M8)	1
17	102S17	Oil Piston	1	50	102S50	Pin	2
18	102S18	O-Ring	1	52	102S52	Screw	1
19	102S19	Back Up Ring	1	53	102S53	Trigger (Long)	1
20	102S20	Return Spring (Small)	1	✧ 53A	102S53A	Trigger (Short)	1
21	102S21	Frame Cap	1	54	102S54	Spanner Gauge	1
22	102S22	Dust Cap	1	55	102S55	Spanner	1
23	102S23	Hanging Clip	1	56	102S56	Back-Up Ring	1
24	102S24	O-Ring	1	57	102S57	Hex. Wrench	1
25	102S25	O-Ring	1	58	102S58	Trigger Pin	2
28	102S28	Spring	1	59	102S59	O-Ring	1
29	102S29	Air Piston Rod	1	61	102S61	Valve Spring	1