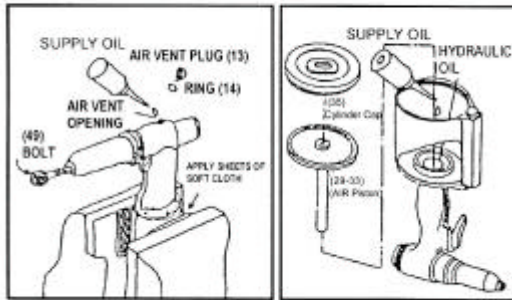


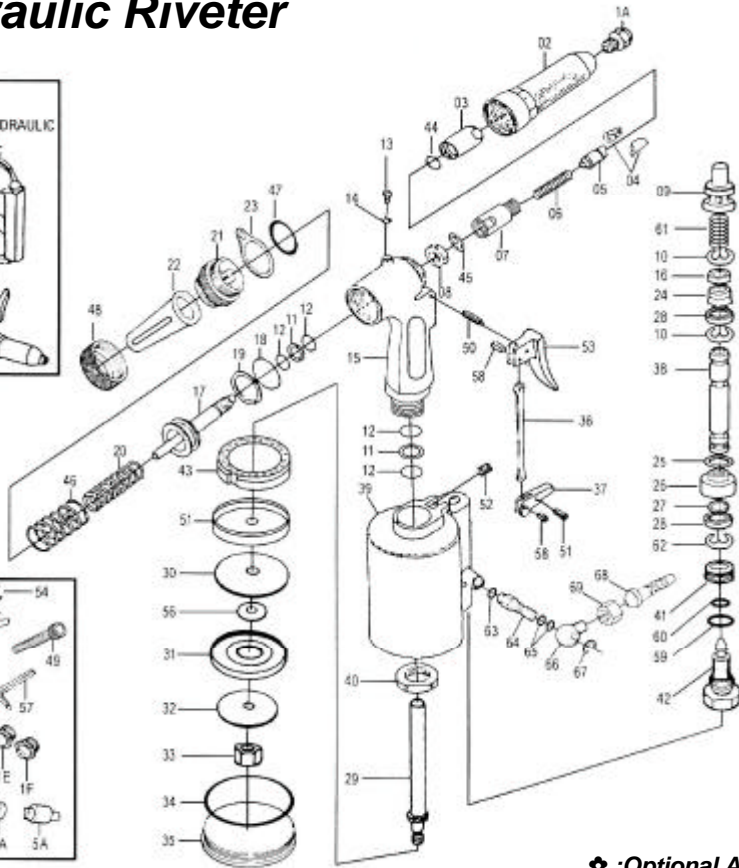
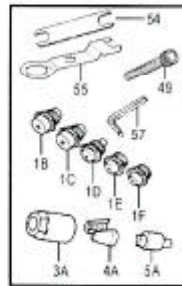
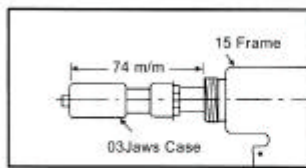
吉生 GISON

GP-101V Air Hydraulic Riveter

ADDING OIL METHOD (一) (二)



ADJUSTING LENGTH

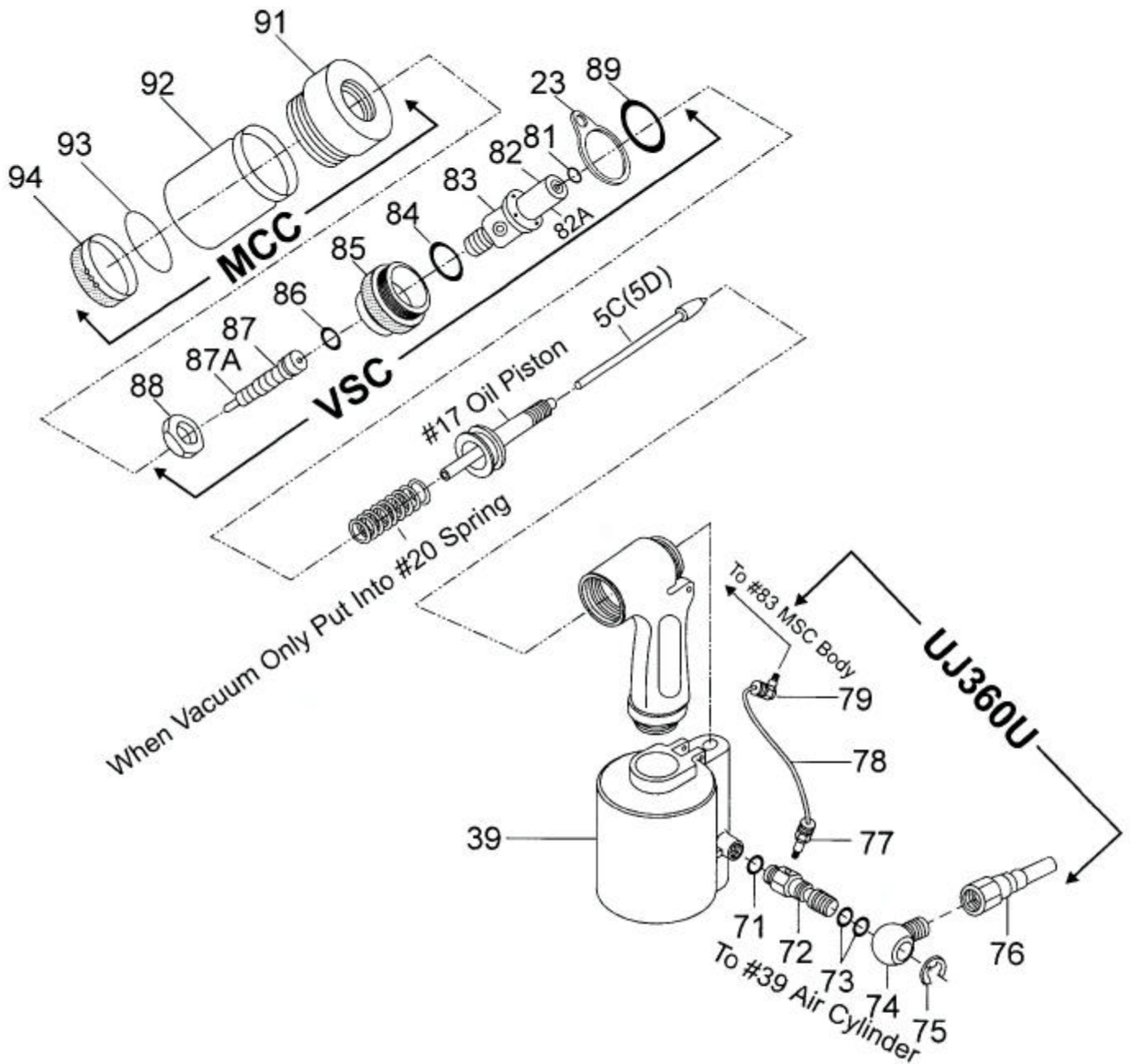


PARTS LIST

✧ : Optional Accessories

Item No.	Part No.	Description	Qty.	Item No.	Part No.	Description	Qty.
1A	101001A	Nosepiece 6.4 mm (1/4")	1	29	101029	Air Piston Rod	1
1B	101001B	Nosepiece 5.5 mm (7/32")	1	30	101030	Air Piston Board (8 ×75)	1
1C	101001C	Nosepiece 4.8 mm (3/16")	1	31	101031	Cup Packing	1
1D	101001D	Nosepiece 4.0 mm (5/32")	1	32	101032	Packing Washer (8 ×65)	1
1E	101001E	Nosepiece 3.2 mm (1/8")	1	33	101033	Rock Nut (M8 x 11L)	1
1F	101001F	Nosepiece 2.4 mm (3/32")	1	34	101034	O-Ring (G80)	1
02	101002L	Nose Housing (93L)	1	35	101035	Cylinder Cap	1
✧ 02L	101002L	Long Nose Housing (202L)	1	36	101036	Trigger Rod	1
03	101003	Jaw Case (3/16"~1/4")	1	37	101037	Trigger Lever	1
03A	101003A	Jaw Case (3/32"~5/32")	1	38	101038	Valve Tube	1
04	101004	Jaws (6 ×12)(3/16"~1/4")	2	39	101039	Air Cylinder	1
04A	101004A	Jaws (5 ×10)(3/32"~5/32")	2	40	101040	Frame Lock Nut	1
05	101005	Jaw Pusher (3/16"~1/4")	1	41	101041	Nipple Screw	1
05A	101005A	Jaw Pusher (3/32"~5/32")	1	42	101042	End Plug	1
06	101006	Jaw Case Spring	1	43	101043	Rubber Cushion	1
07	101007	Jaw Case Back Part	1	44	101044	Jaw Case O-Ring (S12)	1
✧ 07L	101007L	Long Jaw Case Back Part	1	45	101045	Washer Ring	1
08	101008	Jaw Case Lock Nut	1	46	101046	Return Spring (Outer)	1
09	101009	Valve Pusher	1	47	101047	Frame Cap O-Ring (S26)	1
10	101010	E-Ring (E6)	2	48	101048	Cap Nut	1
11	101011	Back Up Ring (P12)	2	49	101049	Bolt Plug (3/8"-24UNF ×35L)	1
12	101012	O-Ring (P12)	4	50	101050	Pin (3 x 20)	1
13	101013	Air Blow Plug (M8 x 8)	1	51	101051	Level Pin (3 x 20)	1
14	101014	Packing	1	52	101052	Lock Screw (M6 x 5L)	1
15	101015	Frame	1	53	101053	Trigger	1
16	101016	Collar For Valve Tube	1	54	101054	Spanner 17 And 19	1
17	101017	Oil Piston	1	55	101055	Spanner	1
18	101018	O-Ring (P24)	1	56	101056	Piston Washer Seat	1
19	101019	Back Up Ring (P24)	1	57	101057	Hex. Wrench M5 And M8	2
20	101020	Return Spring (Inner)	1	58	101058	Trigger Pin (3 x 8)	1
21	101021	Frame Cap	1	59	101059	O-Ring (P12)	1
22	101022	Safety Cap	1	60	101060	Seal	1
23	101023	Hanger Clip	1	61	101061	Pusher Spring	1
24	101024	Air Valve Seal	1	62	101062	E-Ring (E6)	1
25	101025	O-Ring (P10A)	1	✧ 63-67	101063-67	Universal Joint	1
26	101026	Valve Seat	1	✧ 68	101068	Air Hose Joint (5/16")	1
27	101027	O-Ring (4.4 ×2.62)	1	✧ 69	101069	Air Hose Joint Nut (1/4")	1
28	101028	Ring Seal Washer	2	✧ 70	101070	Outer Thread Joint (PM20)	1

Vacuum System (VSC) and Mandrel Collection Cap (MCC)



PARTS LIST

✳ :Consuming Part

Item No.	Part No.	Description	Qty.	Item No.	Part No.	Description	Qty.
Universal Joint (360°) Unit			1	82	101V82	MCS Adaptor (3/32"~3/16")	1
71	101V71	O-Ring	1	82A	101V82A	MCS Adaptor (3/16"~1/4")	
72	101V72	Double Male Connector	1	83	101V83	MCS Body	1
73	101V73	O-Ring	2	84	101V84	O-Ring	1
74	101V74	Hinged (Rotary) Joint	1	85	101V85	MCS Cap	1
75	101V75	E-Ring	1	86	101V86	O-Ring	1
76	101V76	Air Hose Joint (1/4)	1	87	101V87	MCS Nozzle	1
77	101V77	Pin Joint	2	87A	101V87A	MCS Nozzle (3/32"~3/16")	
78	101V78	PU Hose (2.5x4.0)	1	88	101V88	HexagonthIn Nut	1
79	101V79	90° Pin Joint	1	89	101V89	O-Ring 26.5 X 2.5(MCS)	1
79A	101V79A	#77 And #79 PE Washer	1	Mandrel Collector Cap Unit			1
Vacuum Collector Unit 3/16"			1	91	101V91	Rivete Container Nut	1
Vacuum Collector Unit 1/4"				92	101V92	Rivete Container	1
5C	101V5C	Pusher Pipe (3/32"~3/16")	1	93	101V93	O-Ring	1
5D	101V5D	Pusher Pipe (3/16"~1/4")		94	101V94	Rivete Container Cap	1
81	101V81	O-Ring	1				