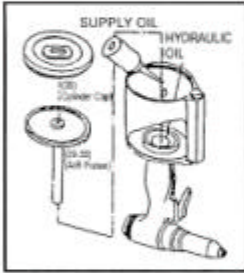
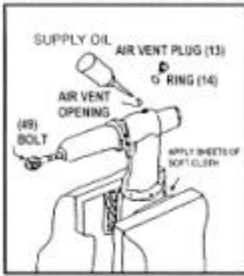




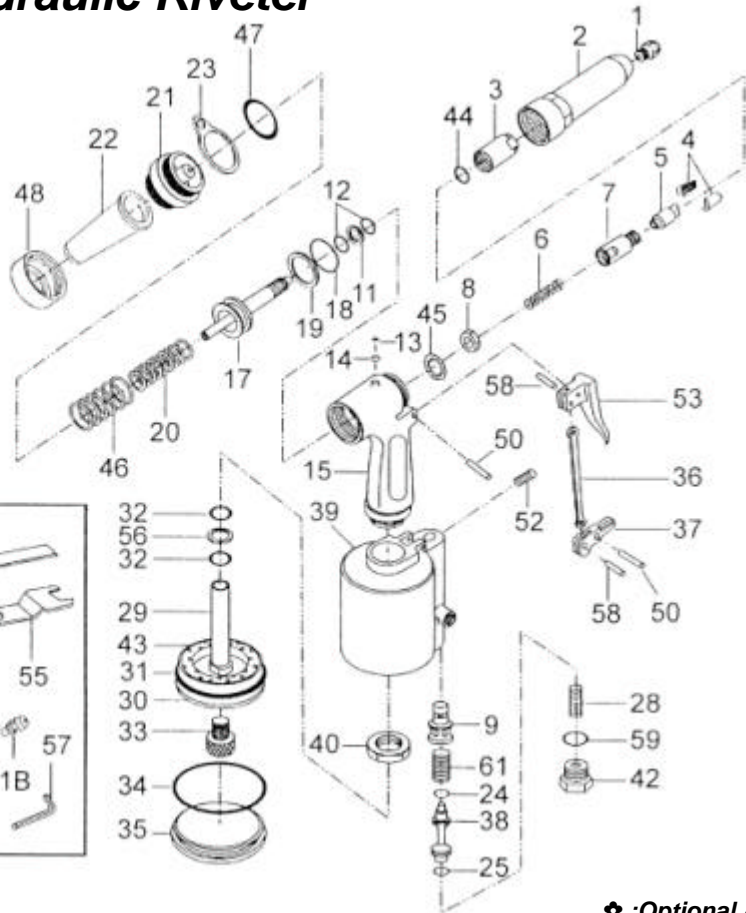
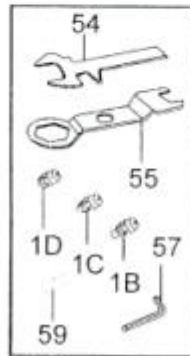
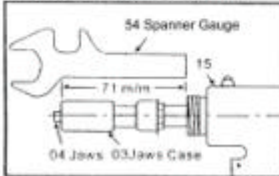
吉生 GISON

GP-101SV Air Hydraulic Riveter

ADDING OIL METHOD (一) (二)



ADJUSTING LENGTH

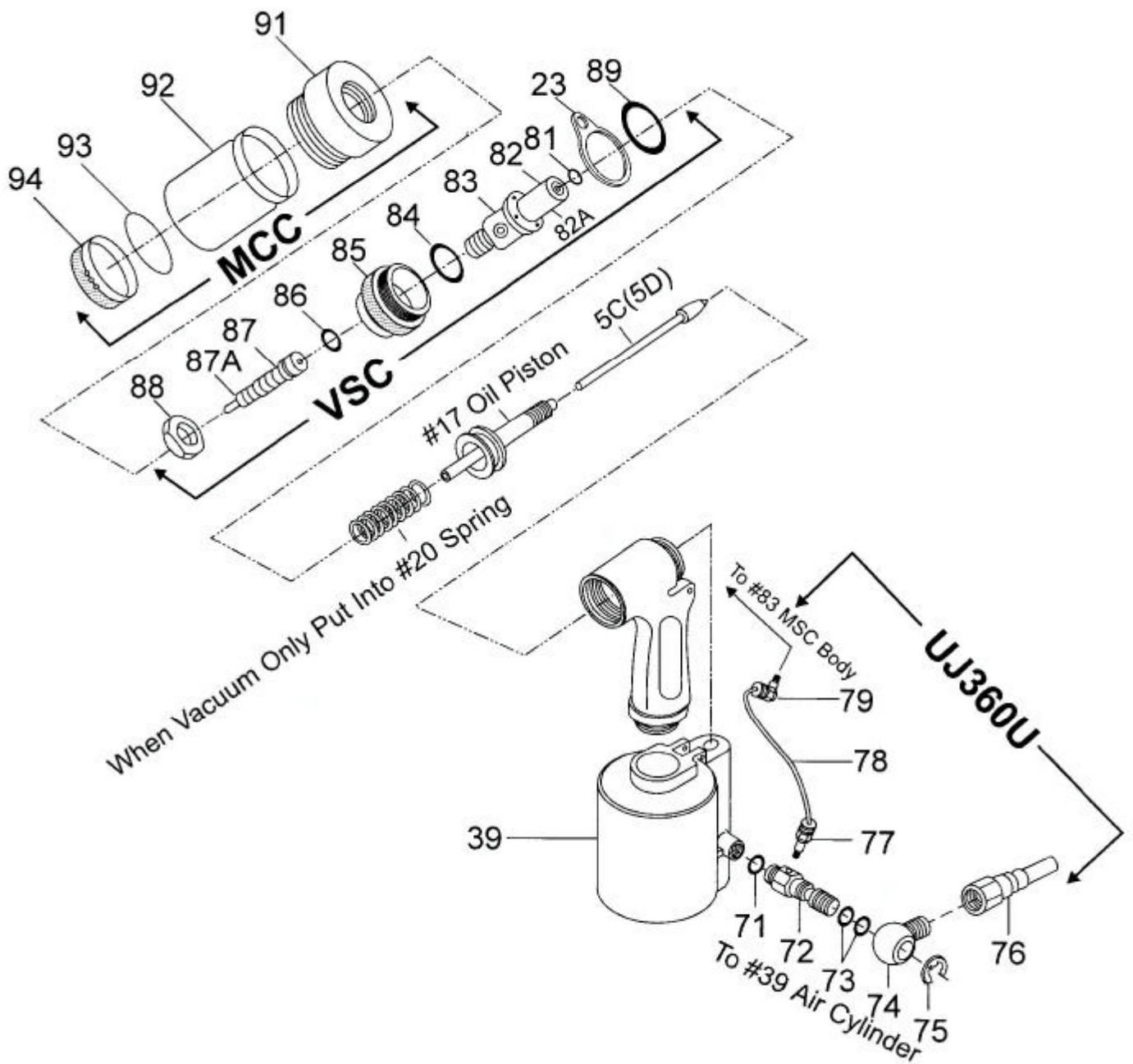


PARTS LIST

◆ : Optional Accessories

| Item No. | Part No. | Description | Qty. | Item No. | Part No. | Description | Qty. |
|----------|----------|--------------------------|------|----------|----------|---------------------|------|
| 1A | 101S01C | Nosepiece 4.8 mm (3/16") | 1 | 30 | 101S30 | O-Ring | 1 |
| 1B | 101S01D | Nosepiece 4.0 mm (5/32") | 1 | 31 | 101S31 | Air Piston | 1 |
| 1C | 101S01E | Nosepiece 3.2 mm (1/8") | 1 | 32 | 101S32 | O-Ring | 2 |
| 1D | 101S01F | Nosepiece 2.4 mm (3/32") | 1 | 33 | 101S33 | Screw | 1 |
| 02 | 101S02 | Nose Housing (87L) | 1 | 34 | 101S34 | O-Ring | 1 |
| ◆ 02L | 101S02L | Long Nose Housing (162L) | 1 | 35 | 101S35 | Cylinder Cap | 1 |
| 03 | 101S03 | Jaws Case Ahead Part | 1 | 36 | 101S36 | Trigger Rod | 1 |
| 04 | 101S04 | Jaws (5 x 10) | 2 | 37 | 101S37 | Trigger Lever | 1 |
| 05 | 101S05 | Jaw Pusher | 1 | 38 | 101S38 | Valve Pipe | 1 |
| 06 | 101S06 | Jaw Case Spring | 1 | 39 | 101S39 | Air Cylinder | 1 |
| 07 | 101S07 | Jaw Case Back Part | 1 | 40 | 101S40 | Frame Lock Nut | 1 |
| ◆ 07L | 101S07L | Long Jaw Case Back Part | 1 | 42 | 101S42 | Valve Cap Nut | 1 |
| 08 | 101S08 | Case Lock Nut | 1 | 43 | 101S43 | Rubber Cushion | 1 |
| 09 | 101S09 | Valve Pusher | 1 | 44 | 101S44 | Jaw Case O-Ring | 1 |
| 11 | 101S11 | Back Up Ring | 2 | 45 | 101S45 | Washer Ring | 1 |
| 12 | 101S12 | O-Ring | 1 | 46 | 101S46 | Return Spring (Big) | 1 |
| 13 | 101S13 | Air Blow Plug | 1 | 47 | 101S47 | Frame Cap Ring | 1 |
| 14 | 101S14 | Packing | 1 | 48 | 101S48 | Cap Nut | 1 |
| 15 | 101S15 | Frame | 1 | 49 | 101S49 | Bolt Plug (M8) | 1 |
| 17 | 101S17 | Oil Piston | 1 | 50 | 101S50 | Pin | 2 |
| 18 | 101S18 | O-Ring | 1 | 52 | 101S52 | Screw | 1 |
| 19 | 101S19 | Back Up Ring | 1 | 53 | 101S53 | Trigger (Long) | 1 |
| 20 | 101S20 | Return Spring (Small) | 1 | ◆ 53A | 101S53A | Trigger (Short) | 1 |
| 21 | 101S21 | Frame Cap | 1 | 54 | 101S54 | Spanner Gauge | 1 |
| 22 | 101S22 | Dust Cap | 1 | 55 | 101S55 | Spanner | 1 |
| 23 | 101S23 | Hanging Clip | 1 | 56 | 101S56 | Back-Up Ring | 1 |
| 24 | 101S24 | O-Ring | 1 | 57 | 101S57 | Hex. Wrench | 1 |
| 25 | 101S25 | O-Ring | 1 | 58 | 101S58 | Trigger Pin | 2 |
| 28 | 101S28 | Spring | 1 | 59 | 101S59 | O-Ring | 1 |
| 29 | 101S29 | Air Piston Rod | 1 | 61 | 101S61 | Valve Spring | 1 |

Vacuum System (VSC) and Mandrel Collection Cap (MCC)



PARTS LIST

◆ :Consuming Part

| Item No. | Part No. | Description | Qty. | Item No. | Part No. | Description | Qty. |
|--------------------------------------|----------|---------------------------|------|-----------------------------------|----------|---------------------------|------|
| Universal Joint (360°) Unit | | | 1 | 82 | 101SV82 | MCS Adaptor (3/32"~3/16") | 1 |
| 71 | 101SV71 | O-Ring | 1 | 82A | 101SV82A | MCS Adaptor (3/16"~1/4") | |
| 72 | 101SV72 | Double Male Connector | 1 | 83 | 101SV83 | MCS Body | 1 |
| 73 | 101SV73 | O-Ring | 2 | 84 | 101SV84 | O-Ring | 1 |
| 74 | 101SV74 | Hinged (Rotary) Joint | 1 | 85 | 101SV85 | MCS Cap | 1 |
| 75 | 101SV75 | E-Ring | 1 | 86 | 101SV86 | O-Ring | 1 |
| 76 | 101SV76 | Air Hose Joint (1/4) | 1 | 87 | 101SV87 | MCS Nozzle | 1 |
| 77 | 101SV77 | Pin Joint | 2 | 87A | 101SV87A | MCS Nozzle (3/32"~3/16") | |
| 78 | 101SV78 | PU Hose (2.5x4.0) | 1 | 88 | 101SV88 | HexagonthIn Nut | 1 |
| 79 | 101SV79 | 90° Pin Joint | 1 | 89 | 101SV89 | O-Ring 26.5 X 2.5(MCS) | 1 |
| 79A | 101SV79A | #77 And #79 PE Washer | 1 | Mandrel Collector Cap Unit | | | 1 |
| Vacuum Collector Unit 3/16" | | | 1 | 91 | 101SV91 | Rivete Container Nut | 1 |
| Vacuum Collector Unit 1/4" | | | | 92 | 101SV92 | Rivete Container | 1 |
| 5C | 101SV5C | Pusher Pipe (3/32"~3/16") | 1 | 93 | 101SV93 | O-Ring | 1 |
| 5D | 101SV5D | Pusher Pipe (3/16"~1/4") | | 94 | 101SV94 | Rivete Container Cap | 1 |
| 81 | 101SV81 | O-Ring | 1 | | | | |