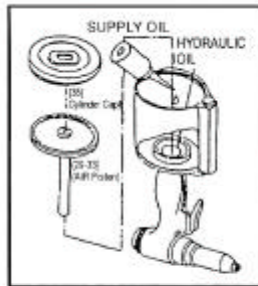
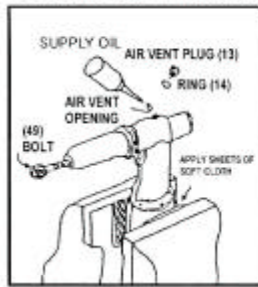


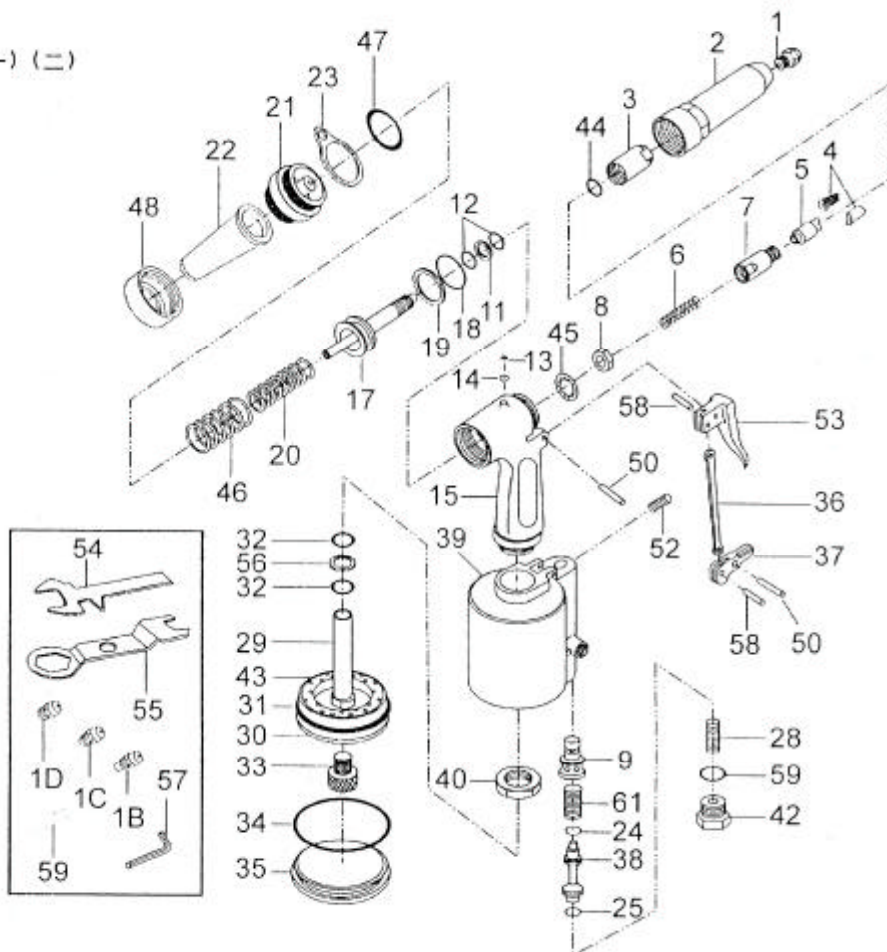
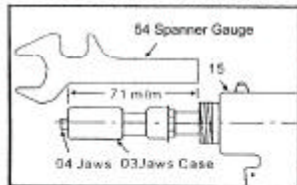
# 吉生 GISON

## GP-101S Air Hydraulic Riveter

### ADDING OIL METHOD (一) (二)



### ADJUSTING LENGTH



### PARTS LIST

✧ : Optional Accessories

| Item No. | Part No. | Description              | Qty. | Item No. | Part No. | Description         | Qty. |
|----------|----------|--------------------------|------|----------|----------|---------------------|------|
| 1A       | 101S01C  | Nosepiece 4.8 mm (3/16") | 1    | 30       | 101S30   | O-Ring              | 1    |
| 1B       | 101S01D  | Nosepiece 4.0 mm (5/32") | 1    | 31       | 101S31   | Air Piston          | 1    |
| 1C       | 101S01E  | Nosepiece 3.2 mm (1/8")  | 1    | 32       | 101S32   | O-Ring              | 2    |
| 1D       | 101S01F  | Nosepiece 2.4 mm (3/32") | 1    | 33       | 101S33   | Screw               | 1    |
| 02       | 101S02   | Nose Housing (87L)       | 1    | 34       | 101S34   | O-Ring              | 1    |
| ✧ 02L    | 101S02L  | Long Nose Housing (162L) | 1    | 35       | 101S35   | Cylinder Cap        | 1    |
| 03       | 101S03   | Jaws Case Ahead Part     | 1    | 36       | 101S36   | Trigger Rod         | 1    |
| 04       | 101S04   | Jaws (5 x 10)            | 2    | 37       | 101S37   | Trigger Lever       | 1    |
| 05       | 101S05   | Jaw Pusher               | 1    | 38       | 101S38   | Valve Pipe          | 1    |
| 06       | 101S06   | Jaw Case Spring          | 1    | 39       | 101S39   | Air Cylinder        | 1    |
| 07       | 101S07   | Jaw Case Back Part       | 1    | 40       | 101S40   | Frame Lock Nut      | 1    |
| ✧ 07L    | 101S07L  | Long Jaw Case Back Part  | 1    | 42       | 101S42   | Valve Cap Nut       | 1    |
| 08       | 101S08   | Case Lock Nut            | 1    | 43       | 101S43   | Rubber Cushion      | 1    |
| 09       | 101S09   | Valve Pusher             | 1    | 44       | 101S44   | Jaw Case O-Ring     | 1    |
| 11       | 101S11   | Back Up Ring             | 2    | 45       | 101S45   | Washer Ring         | 1    |
| 12       | 101S12   | O-Ring                   | 1    | 46       | 101S46   | Return Spring (Big) | 1    |
| 13       | 101S13   | Air Blow Plug            | 1    | 47       | 101S47   | Frame Cap Ring      | 1    |
| 14       | 101S14   | Packing                  | 1    | 48       | 101S48   | Cap Nut             | 1    |
| 15       | 101S15   | Frame                    | 1    | 49       | 101S49   | Bolt Plug (M8)      | 1    |
| 17       | 101S17   | Oil Piston               | 1    | 50       | 101S50   | Pin                 | 2    |
| 18       | 101S18   | O-Ring                   | 1    | 52       | 101S52   | Screw               | 1    |
| 19       | 101S19   | Back Up Ring             | 1    | 53       | 101S53   | Trigger (Long)      | 1    |
| 20       | 101S20   | Return Spring (Small)    | 1    | ✧ 53A    | 101S53A  | Trigger (Short)     | 1    |
| 21       | 101S21   | Frame Cap                | 1    | 54       | 101S54   | Spanner Gauge       | 1    |
| 22       | 101S22   | Dust Cap                 | 1    | 55       | 101S55   | Spanner             | 1    |
| 23       | 101S23   | Hanging Clip             | 1    | 56       | 101S56   | Back-Up Ring        | 1    |
| 24       | 101S24   | O-Ring                   | 1    | 57       | 101S57   | Hex. Wrench         | 1    |
| 25       | 101S25   | O-Ring                   | 1    | 58       | 101S58   | Trigger Pin         | 2    |
| 28       | 101S28   | Spring                   | 1    | 59       | 101S59   | O-Ring              | 1    |
| 29       | 101S29   | Air Piston Rod           | 1    | 61       | 101S61   | Valve Spring        | 1    |