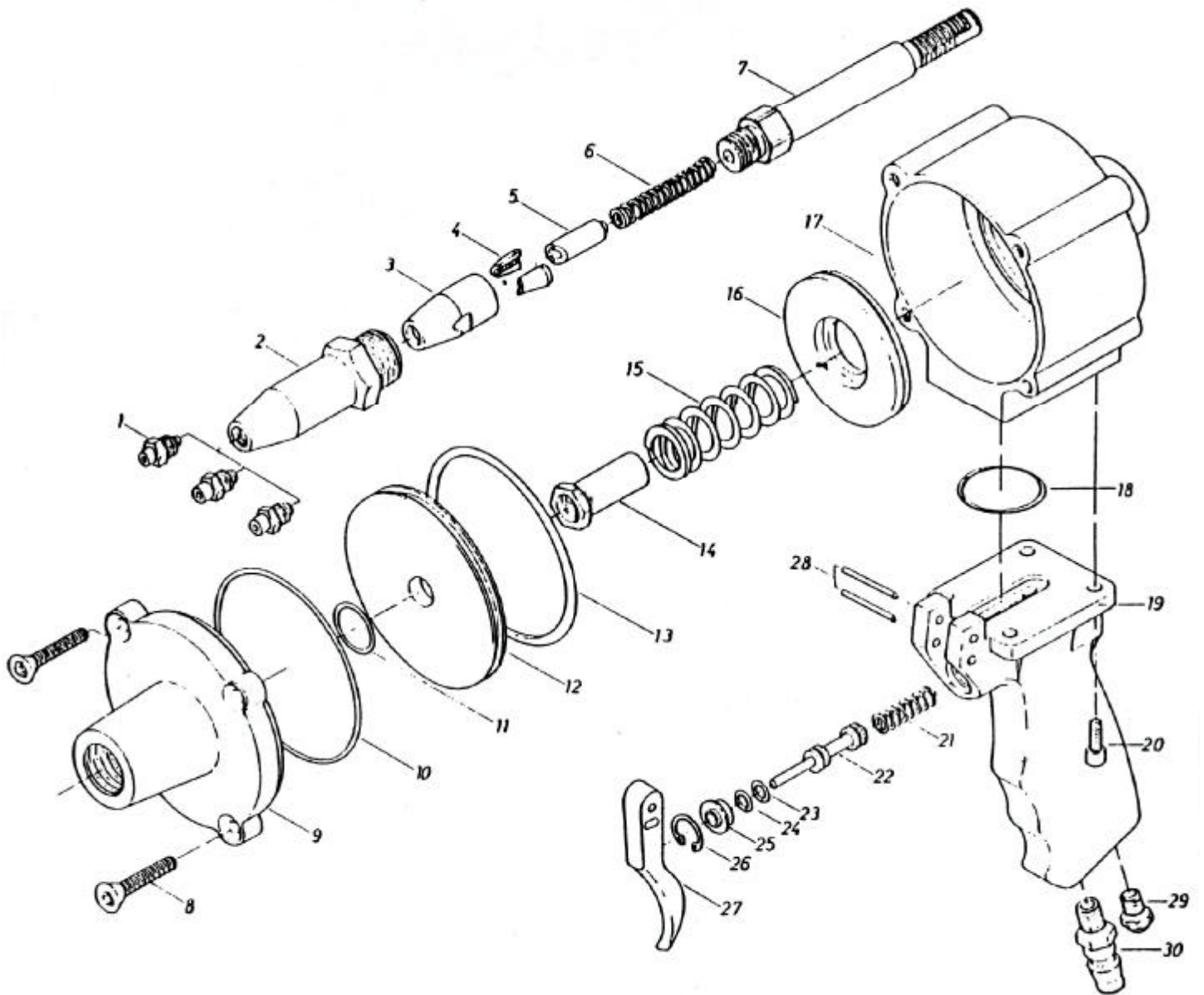


吉生 GISON

GP-033 Air Riveter



PARTS LIST

✳ : Consuming Part

Item No.	Part No.	Description	Qty.	Item No.	Part No.	Description	Qty.
01A	033001A	Nosepiece $\varnothing 2.4$ (1/8")	1	15	033015	Piston Spring	1
01B	033001B	Nosepiece $\varnothing 4.0$ (5/32")	1	16	033016	Piston Cushion	1
01C	033001C	Nosepiece $\varnothing 4.8$ (3/16")	1	17	033017	Rear Cylinder Cup	1
02	033002	Frame Head	1	18	033018	Seal	1
03	033003	Jaw Case	1	19	033019	Handle	1
04	033004	Jaw	2	20	033020	Screw	4
05	033005	Jaw Pusher	1	21	033021	Valve Spring	1
06	033006	Jaw Pusher Spring	1	22	033022	Valve Spool	1
07	033007	Piston Rod	1	23	033023	O-Ring	1
08	033008	Screw	4	24	033024	O-Ring	1
09	033009	Nose Plate	1	25	033025	Valve Washer	1
10	033010	Cup Seal	1	26	033026	Retaining Clip	1
11	033011	Sleeve Seal	1	27	033027	Trigger	1
12	033012	Piston	1	28	033028	Spring Pin ($\varnothing 3 \times 24$)	2
13	033013	Piston Seal	1	29	033029	Air Inlet	1
14	033014	Piston Nut	1	30	033030	Muffler	1