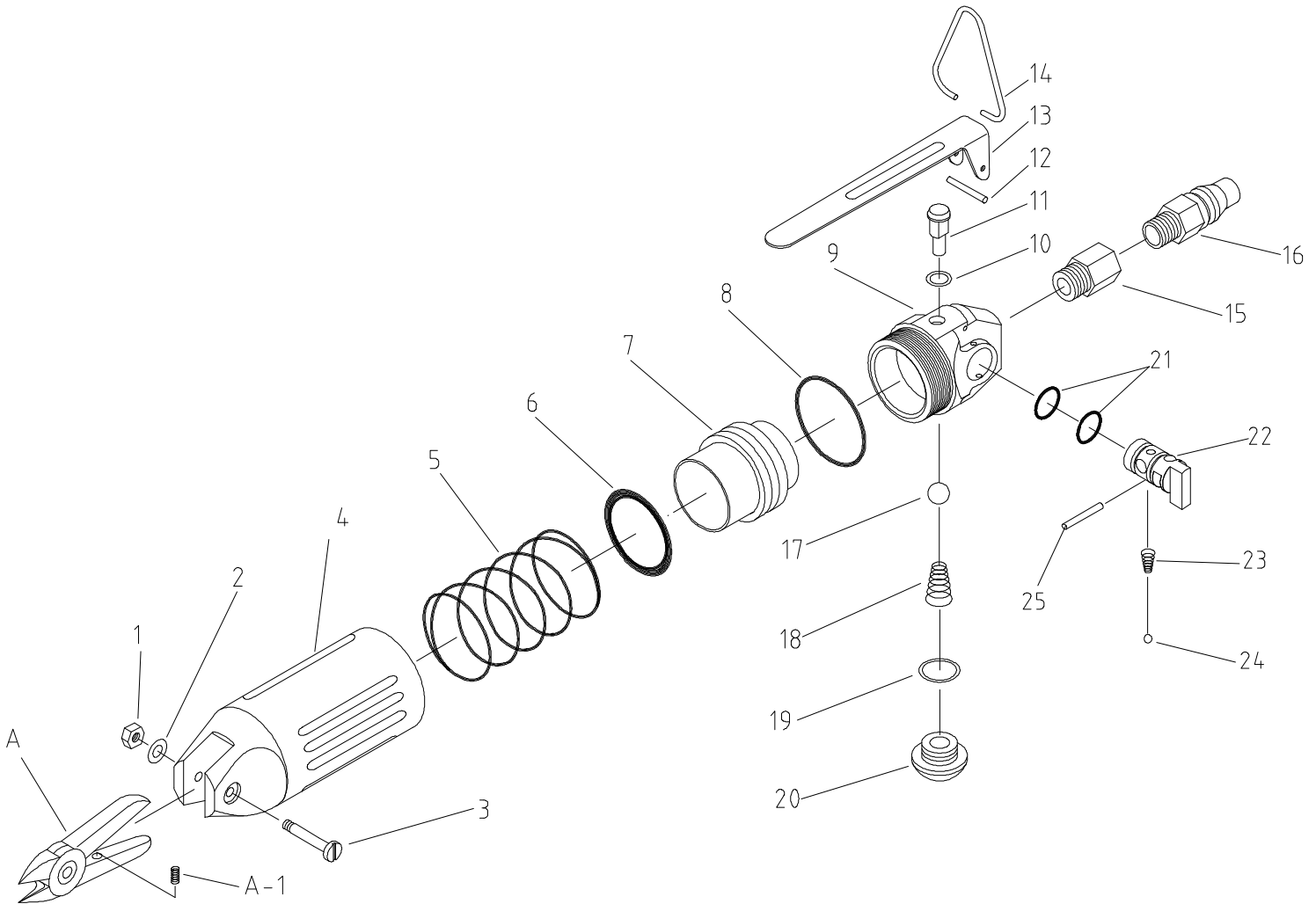


GISON Pneumatic Tools

GP-020 Air Nipper



PARTS LIST

✳ : Consuming Part

Item No.	Part No.	Description	Qty.	Item No.	Part No.	Description	Qty.
1	020001	Nut	1	15	020015	Joint 1/4"	1
2	020002	Washer	1	16	020016	Air Inlet 1/4"	1
3	020003	Screw Pin	1	17	020017	Nylon Ball	1
4	020004	Body A	1	18	020018	Spring	1
5	020005	Retention Spring	1	19	020019	O-Ring	1
6	020006	O-Ring	1	20	020020	Stop Screw	1
7	020007	Piston	1	21	020021	O-Ring	2
8	020008	O-Ring	1	22	020022	Valve Switch	1
9	020009	Valve Set (020001-009)	1	23	020023	Spring	1
10	020010	O-Ring	1	24	020024	Nylon Ball	1
11	020011	Valve Pin	1	25	020025	Spring Pin	1
12	020012	Spring Pin	1	A	020026	Blade FD-6 (For Plastic)	1
13	020013	Level	1	A-1	020026-1	Spring Of Blade	1
14	020014	Hanger	1	B	020027	Blade S5 (For Copper & Iron Wire)	1