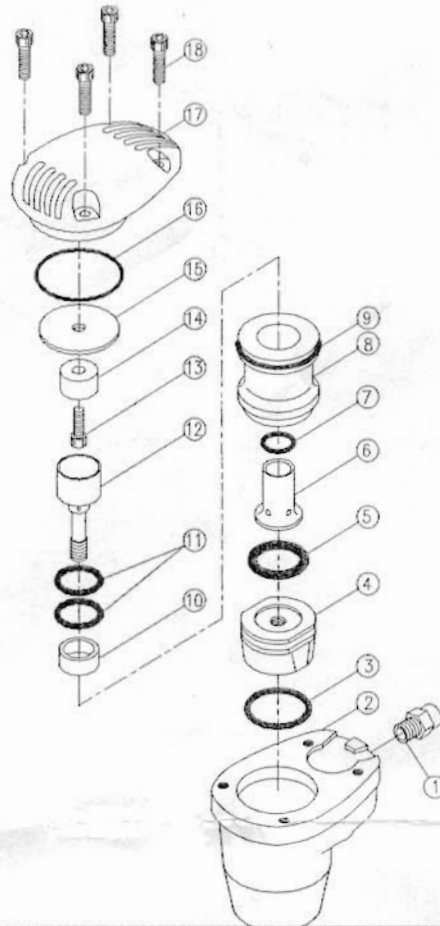




GISON Pneumatic Tools

GAH-15 Auto Hammer



PARTS LIST

☆ : Consuming Part

Item No.	Part No.	Description	Qty.	Item No.	Part No.	Description	Qty.
1	015001	Air Inlet	1	7	015007	O-Ring	1
2	015002	Housing	1	8	015008	Valve	1
3	015003	O-Ring	1	9	015009	O-Ring	1
4	015004	Hammer Tip	1	10	015010	Bumper	1
		-SS Super Soft Plastic		11	015011	O-Ring	2
		-S Soft Plastic		12	015012	Stem	1
		-M Medium Plastic		13	015013	Screw	1
		-H Hard Plastic		14	015014	Plug	1
		-AL Aluminium		15	015015	Exhaust Seat	1
		-ST Steel	16	015016	O-Ring	1	
5	015005	Stroke Control Spacer	1	17	015017	Cap	1
6	015006	Sleeve	1	18	015018	Screw	4

※ If you need to order parts, please mark both Parts No. and Description.

<http://www.gison.com>

Changing hammer tips:

1. Remove cap and slide out valve assembly and hammer tip.
Remove O-Ring from hammer tip.
2. Hold hammer tip with wrench (or in vise) and use 1/4" hex. wrench to remove hammer tip.
3. Fit O-Ring to new hammer tip.
4. Reassemble tool.

Note: Tighten assembly securely when installing hammer tip.

