

⚠ WARNING

- To avoid unpredictable system behavior that can cause personal injury and property damage:
- Disconnect electrical supply (when necessary) before installation, servicing, or conversion.
 - Disconnect air supply and depressurize all air lines connected to this product before installation, servicing, or conversion.
 - Operate within the manufacturer's specified pressure, temperature, and other conditions listed in these instructions.
 - Medium must be moisture-free if ambient temperature is below freezing.
 - Service according to procedures listed in these instructions.
 - Installation, service, and conversion of these products must be performed by knowledgeable personnel who understand how pneumatic products are to be applied.
 - After installation, servicing, or conversion, air and electrical supplies (when necessary) should be connected and the product tested for proper function and leakage. If audible leakage is present, or the product does not operate properly, do not put into use.
 - Warnings and specifications on the product should not be covered by paint, etc. If masking is not possible, contact your local representative for replacement labels.

⚠ CAUTION

Polyurethane bowls, sight glass and sight domes on these units may be attacked by certain chemicals. Never use solvents like carbon tetrachloride, trichloroethylene, acetone, or paint thinner to clean any parts. These elements can cause crazing or failure of the plastic parts. The polyurethane resin parts are compatible with most hydrocarbon based synthetic lubricants but, before using, check with the manufacturer of the lubricant or oil for compatibility with polyurethane resin.

TO CLEAN POLYURETHANE BOWLS USE MILD SOAP AND WATER ONLY!

Safety Guide

For more complete information on recommended application guidelines, see the Safety Guide section of Pneumatic Division catalogs or you can download the Pneumatic Division Safety Guide at: www.parker.com/pneumatics

Introduction

A unique feature of this series is the option of changing pipe size to accommodate 1/4" through 1" sizes. To change insert (prior to installation), simply remove both insert pins and pull insert in direction away from pin hole. Install new (size) insert or universal combination insert (for combination unit) ensuring O-ring is in place and insert is firmly seated prior to insert of pins. Follow these instructions when installing, operating, or servicing the product.

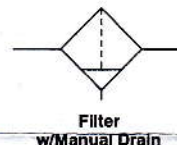
Application Limits

These products are intended for use in general purpose compressed air systems only.

Maximum Recommended Pressure Drop:

	kPa	PSIG	bar
Particulate Filter	70	10	0.7
With Metal Bowl			
Operating Pressure Maximum	1723	250	17.0
Operating Temperature Range (40°F to 150°F)			4°C to 66°C
With Metal Bowl with Internal Auto Drain Installed			
Operating Pressure Maximum	1207	175	12.0
Operating Temperature Range (40°F to 120°F)			4°C to 49°C
With Piston Drain Filter			
Operating Pressure Maximum	1207	175	12.0
Operating Temperature Range (40°F to 120°F)			4°C to 49°C

ANSI Symbols



Installation

Before installing, blow out pipe line to remove scale and other foreign matter. This unit has DRYSEAL pipe threads. Use pipe compound or tape sparingly to male threads only. Install filter in pipe line so that air will flow in direction of arrow stamped on body. Install as near as possible to equipment being serviced. Filter must be installed with bowl in a vertical position.

Maintenance – Cleaning

To clean, it is not necessary to remove unit from the line. Refer to drawing on reverse as a guide in reassembly.

To maintain maximum filtering efficiency, and to avoid excessive pressure drop, the filter must be kept clean. Turn drain valve

⚠ WARNING

FAILURE OR IMPROPER SELECTION OR IMPROPER USE OF THE PRODUCTS AND/OR SYSTEMS DESCRIBED HEREIN OR RELATED ITEMS CAN CAUSE DEATH, PERSONAL INJURY AND PROPERTY DAMAGE.

This document and other information from The Company, its subsidiaries and authorized distributors provide product and/or system options for further investigation by users having technical expertise. It is important that you analyze all aspects of your application, including consequences of any failure and review the information concerning the product or systems in the current product catalog. Due to the variety of operating conditions and applications for these products or systems, the user, through its own analysis and testing, is solely responsible for making the final selection of the products and systems and assuring that all performance, safety and warning requirements of the application are met.

The products described herein, including without limitation, product features, specifications, designs, availability and pricing, are subject to change by The Company and its subsidiaries at any time without notice.

EXTRA COPIES OF THESE INSTRUCTIONS ARE AVAILABLE FOR INCLUSION IN EQUIPMENT / MAINTENANCE MANUALS THAT UTILIZE THESE PRODUCTS. CONTACT YOUR LOCAL REPRESENTATIVE.

Air Line Filters Type F20 & F21

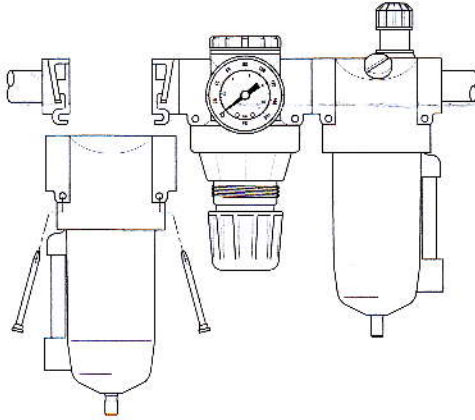
clockwise to remove liquid accumulation before it reaches level of lower baffle. A visible coating of dirt or condensate on filter element, or excessive pressure drop, indicates cleaning is necessary.

To clean, depressurize air line and unscrew bowl. Follow drawing provided as a guide for disassembly and reassembly.

Blow out body with compressed air.

⚠ CAUTION: METAL BOWL WITH SIGHT GAUGE MUST BE CLEANED WITH HOUSEHOLD SOAP ONLY.

For servicing or replacement, depressurize unit and simply remove insert retaining pins and remove unit from air line as shown below.



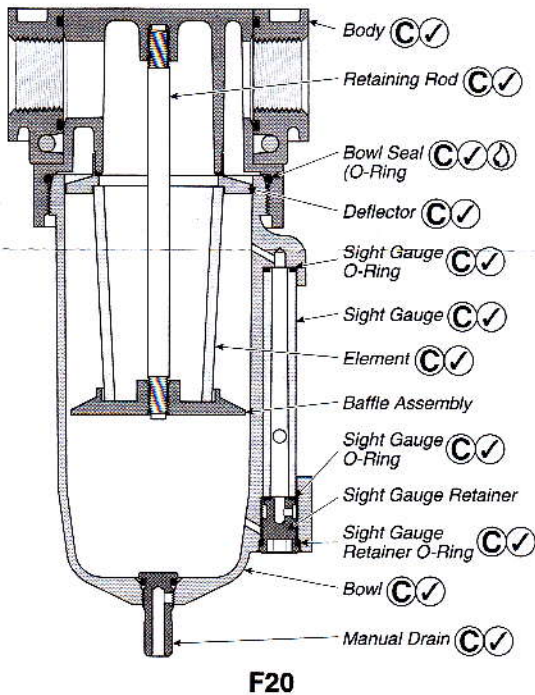
Accessories

Description	Kit Number
Wall Mount Kit	MK20-0100

Extra (Pipe Port) Insert Kits and Combination Unit Interface Insert

Pipe Port Size	Kit Number
1/4"	IK20Y
3/8"	IK20X
1/2"	IK20A
3/4"	IK20B
1"	IK20C
Combination	IK20CC

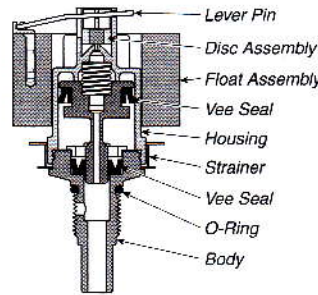
Note: Kit includes two pipe port inserts. "O" rings and pins.



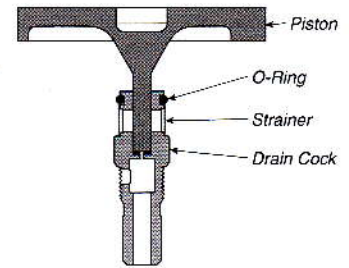
Service Kits / Parts Available

Description	Kit Number
Element Replacement Kit 5 Micron Element (F20) 40 Micron Element (F20) Coalescing Element (F21) Odor Adsorbing (F21)	EKF20VA EKF20A EKF601J EKF210A
Sight Gauge Repair Kit (Sight Gauge, Sight Gauge O-Ring, Indicator Float, Sight Gauge Retainer, Retainer O-Ring)	RKB605WB
Bowl, Replacement Kit w/Drain Cock (Bowl and Sight Gauge, Bowl O-Ring)	BKF21WA*
Internal Auto Drain Repair Kit (Lever Pin, Disc Assembly, Float Assembly, Vee Seal, Strainer, O-Ring)	RK602MD/M4
Piston Drain Kit (Piston, Drain Cock Complete Assembly including Strainer and O-Ring)	4212

* Bowl kit without manual drain no longer available (use BKF21WA).



Internal Auto Drain



Piston Drain

- Ⓒ Lightly grease with provided lubricant.
- ✓ Inspect for nicks, scratches, and surface imperfections. If present, reduced service life is probable and future replacement should be planned.
- Ⓒ Clean with lint-free cloth.

