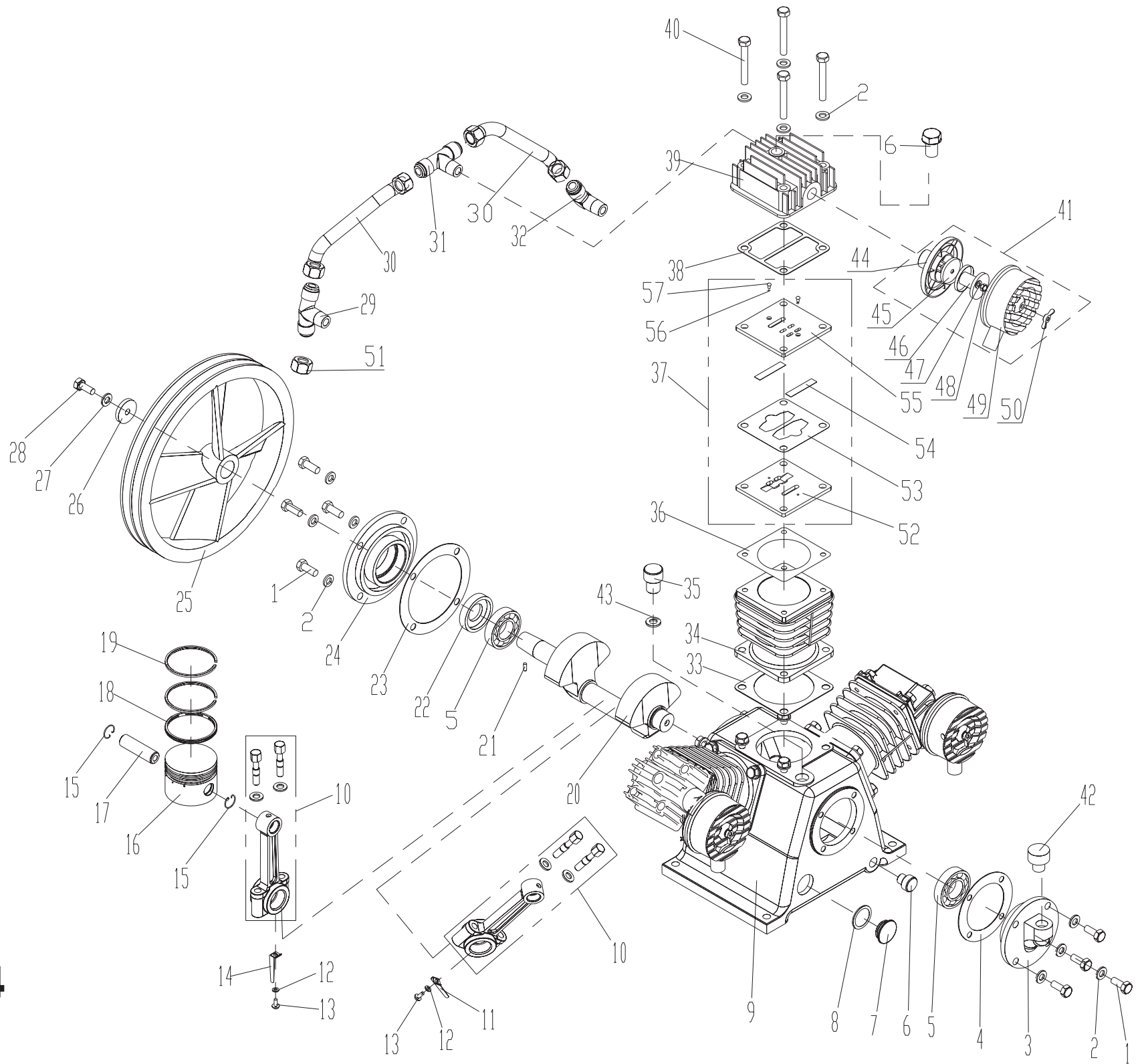


5750 DONAHUE STREET, MONTREAL, QUEBEC. H4S 1C1
TEL.: 514-336-3820, 800-390-0140 FAX: 514-745-1764
www.airtekltd.com E-MAIL info@airtekltd.com

Fu Sheng

D-4 Pump





ITEM	DESCRIPTION	QTY	PART NO.
1	BOLT M8*20	20	-
2	COPPER WASHER	20	92521-190800
3	REAR BEARING COVER	1	70122-57060
4	REAR BEARING COVER PACKING	1	70122-57070
5	BEARING	2	93501-6205
6	SCREW PLUG 1/4"PT	4	90112-100202A
7	GAUGE SET	1	-
8	O-RING	1	93602-8126026
9	CRANKCASE	1	70180FA1-57011
10	CONNECT ROD ASSEMBLY	3	70112-61200
11	OIL SPLASH DIPPER	2	70122-61282
12	SPRING WASHER M4	3	92522-130400
13	BOLT M4*10	3	-
14	OIL SPLASH DIPPER	1	70132-61290
15	LOCK RING	6	70112-61070
16	PISTON	3	70110F81-61012
17	PISTON PIN	3	70112-61120
18	OIL CONTROL RING	3	70110F81-61051
19	COMPRESSION RING	6	70110F81-61031
20	CRANKSHAFT	1	70194-56010
21	PULLEY KEY	1	70112-56060
22	FRONT OIL SEAL	1	70122-57080
23	FRONT BEARING COVER PACKING	1	70122-57040
24	FRONT BEARING COVER	1	70122-57030
25	COMPRESSOR PULLEY	1	70194-76010
26	COMPRESSOR PULLEY WASHER	1	70112-76210
27	SPRING WASHER M8	13	92522-130800
28	BOLT M8*25	1	91501-1308025-8.8
29	JOINT C	1	70130FA1-87031
30	INTER COOLER	2	70132-87100
31	JOINT B	1	70130FA1-87021
32	JOINT A	1	70120FA1-87011
33	CYLINDER-CRANKCASE PACKING	3	70112-51030
34	CYLINDER	3	70193-51010
35	OIL CAP	1	70101-57190
36	VALVE-CYLINDER PACKING	3	70112-11020
37	VALVE ASSEMBLY	3	70193-31000
38	CYLINDER-HEAD PACKING	3	70193-11020
39	CYLINDER HEAD	3	70193-11010
40	BOLT M8*60	12	-
41	AIR FILTER ASSEMBLY	3	70111-66001
42	BREATHER ASSEMBLY	1	70103-57600
43	O RING	1	93601-810016
44	AIR FILTER ASSEMBLY	3	-
45	GASKET	3	-
46	AIR FILTER CORE	3	-
47	WASHER	6	92521-230400
48	NUT	3	92501-230400
49	AIR FILTER FRONT COVER	3	70111-66171
50	AEROFOIL NUT	3	-
51	NUT	1	79922-130404
50	LOW VALVE	2	70170FA1-31012
51	VALVE PACKING	2	70170FA1-31142
52	VALVE PLATE	4	701605A1-31030
53	TOP VALVE	2	70170FA1-31022
54	SPRING WASHER	4	92522-130300
55	BOLT	4	9151113-1103006-5608