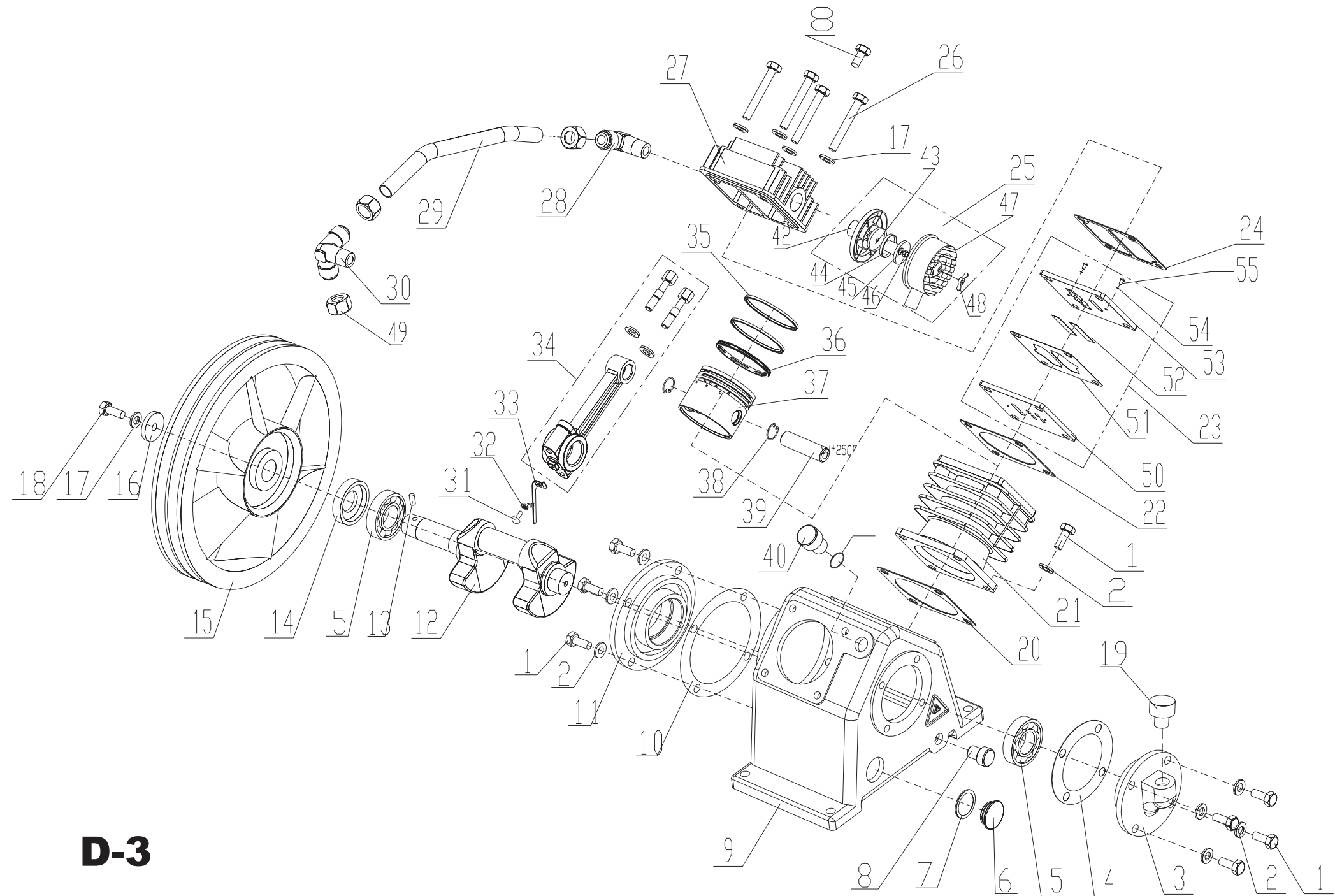


5750 DONAHUE STREET, MONTREAL, QUEBEC. H4S 1C1  
TEL.: 514-336-3820, 800-390-0140 FAX: 514-745-1764  
www.airtekltd.com E-MAIL info@airtekltd.com

## **Fu Sheng**

### **D-3 Pump**





**D-3**

ITEM NO.	DESCRIPTION	QTY	PART NO.
1	BOLT M8*20	16	-
2	COPPER WASHER	16	92521-190800
3	REAR BEARING COVER	1	70122-57060
4	REAR BEARING COVER PACKING	1	70122-57070
5	BEARING 6205	2	93501-6205
6	GAUGE SET	1	-
7	O-RING	1	93602-8126026
8	SCREW PLUG	3	90112-100202A
9	CRANKCASE	1	70170FA1-57011
10	FRONT BEARING COVER PACKING	1	70122-57040
11	FRONT BEARING COVER	1	70122-57030
12	CRANKSHAFT	1	70122-56010
13	PULLEY PIN	1	70112-56060
14	FRONT OIL SEAL	1	70122-57080
15	COMPRESSOR PULLEY	1	70193-76010
16	COMPRESSOR PULLEY WASHER	1	70112-76210
17	SPRING WASHER M8	9	92522-130800
18	19840727	1	91501-1308025-8.8
19	BREATHER ASSEMBLY	1	70103-57600
20	CYLINDER-CRANKCASE PACKING	2	70112-51030
21	CYLINDER	2	70193-51010
22	VALVE-CYLINDER PACKING	2	70112-11020
23	VALVE ASSEMBLY	2	70193-31000
24	CYLINDER-HEAD PACKING	2	70193-11020
25	AIR FILTER ASSEMBLY	2	70111-66001
26	BOLT M8*60	8	-
27	CYLINDER HEAD	2	70193-11010
28	JOINT A	1	70120FA1-87011
29	INTER COOLER ASSEMBLY	1	70122-87100
30	JOINT B	1	70120FA1-87021
31	BOLT M4*10	2	-
32	SPRING WASHER M4	2	92522-130400
33	OIL SPLASH DIPPER	2	70122-61282
34	CONNECTING ROD ASSEMBLY	2	70112-61200
35	COMPRESSION RING	4	70110F81-61031
36	OIL CONTROL RING	2	70110F81-61051
37	PISTON	2	70110F81-61012
38	PISTON PIN LOCKING RING	4	70112-61070
39	PISTON PIN	2	70112-61120
40	OIL CAP	1	70101-57190
41	O RING	1	93601-810016
42	AIR FILTER ASSEMBLY	2	-
43	GASKET	2	-
44	AIR FILTER CORE	2	-
45	WASHER	2	92521-230400
46	NUT	2	92501-230400
47	AIR FILTER FRONT COVER	2	70111-66171
48	AEROFOIL NUT	2	-
49	NUT	1	79922-130404
50	LOW VALVE	2	70170FA1-31012
51	VALVE PACKING	2	70170FA1-31142
52	VALVE PLATE	4	701605A1-31030
53	TOP VALVE	2	70170FA1-31022
54	SPRING WASHER	4	92522-130300
55	BOLT	4	9151113-1103006-5608