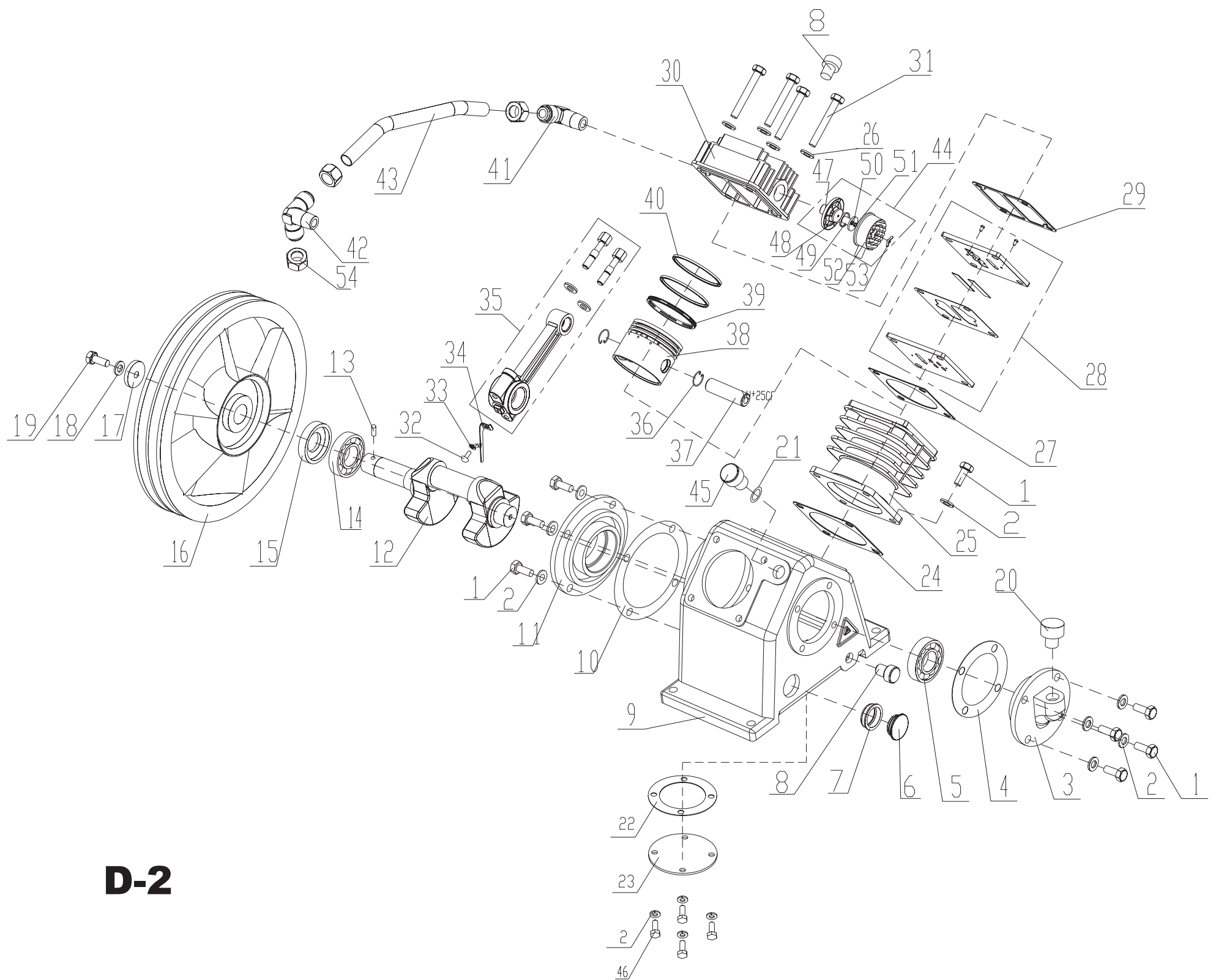


5750 DONAHUE STREET, MONTREAL, QUEBEC. H4S 1C1
TEL.: 514-336-3820, 800-390-0140 FAX: 514-745-1764
www.airtekltd.com E-MAIL info@airtekltd.com

Fu Sheng

D-2 Pump





D-2

ITEM	DESCRIPTION	QTY	PART NO.
1	BOLT	16	-
2	COPPER WASHER	20	92521-190600
3	REAR BEARING COVER	1	70111-57060
4	REAR BEARING COVER PACKING	1	70111-57070
5	BEARING 6203	2	93501-6203
6	GAUGE SET	1	-
7	O-RING	1	93602-8126026
8	SCREW PLUG	3	90112-100202A
9	CRANKCASE	1	701705A1-57011
10	FRONT BEARING COVER PACKING	1	70121-57040
11	FRONT BEARING COVER	1	70121-57030-7080
12	CRANKSHAFT	1	70192-56010
13	PULLEY KEY	1	70112-56060
14	BEARING	1	93501-6204
15	FRONT OIL SEAL	1	70121-57080
16	PULLEY	1	70192-76010
17	PULLEY WASHER	1	70112-76210
18	SPRING WASHER M8	1	92522-130800
19	BOLT M8*25	1	91501-1308025-8.8
20	BREATHER ASSEMBLY	1	70103-57600
21	O RING	1	93601-810016
22	CRANKCASE BOTTOM COVER PACKING	1	70121-57230
23	CRANKCASE BOTTOM COVER	1	70121-57220
24	CYLINDER-CRANKCASE PACKING	2	70121-51030
25	CYLINDER	2	70192-51010
26	SPRING WASHER	8	92522-130600
27	VALVE-CYLINDER PACKING	2	70109-11030
28	VALVE ASSEMBLY	2	70109-31000
29	CYLINDER-HEAD PACKING	2	70191-11020
30	CYLINDER HEAD	2	70191-11010
31	BOLT	8	-
32	BOLT M4*10	2	-
33	SPRING WASHER M4	2	92522-130400
34	OIL SPLASH DIPPER	2	70121-61282
35	CONNECTING ROD ASSEMBLY	2	70192-61210
36	PISTON PIN LOCKING RING	4	70111-61070
37	PISTON PIN	2	70111-61120
38	PISTON	2	70111-61011
39	OIL CONTROL RING	2	70111-61050
40	COMPRESSION RING	4	70111-61030
41	JOINT A	1	70120FA1-87011
42	JOINT B	1	70120FA1-87021
43	INTER COOLER ASSEMBLY	1	70192-87100
44	AIR FILTER ASSEMBLY	2	70111-66001
45	OIL CAP	1	70101-57190
46	BOLT	4	-
47	AIR FILTER ASSEMBLY	2	-
48	GASKET	2	-
49	AIR FILTER CORE	2	-
50	WASHER	4	92521-230400
51	NUT	2	92501-230400
52	AIR FILTER FRONT COVER	2	70111-66171
53	AEROFOIL NUT	2	-
54	NUT	1	79922-130404
55	LOW VALVE	2	70109-31020
56	VALVE PACKING	2	70109-31121
57	VALVE PLATE	4	70109-31030
58	TOP VALVE	2	70109-31010
59	SPRING WASHER	4	92522-130300
60	BOLT	4	-