



**5750 Donahue
Montreal, Quebec, H4S 1C1
Tel: (514) 336-3820 (800) 390-0140
Fax: (514) 745-1764 E-Mail: sales@airtekltd.com
www.airtekltd.com**

Parts List

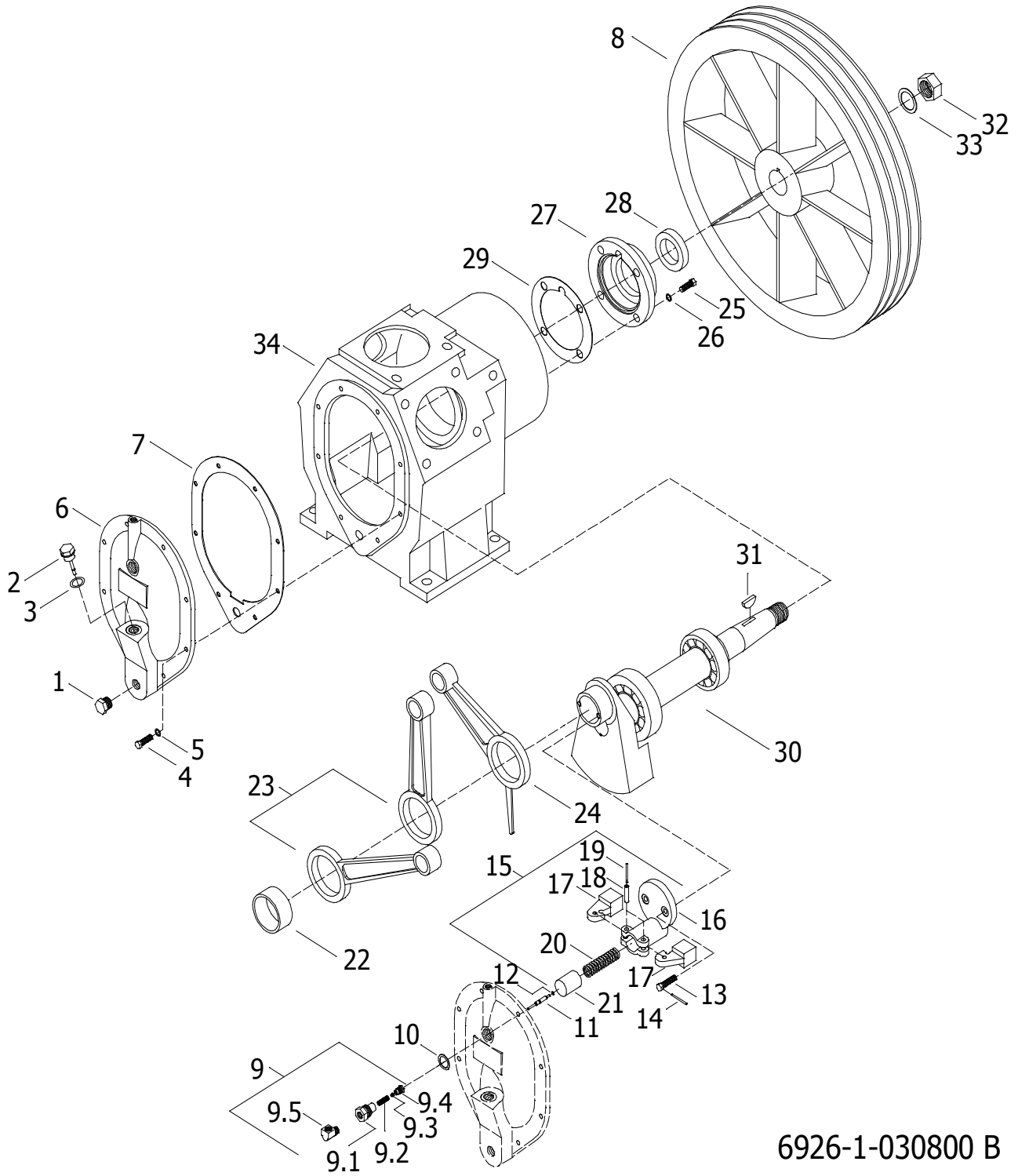
B553 2 STAGE INDUSTRIAL AIR COMPRESSOR

Bore - LP	5" (x2)
Bore - HP	3,5"
Stroke	4"

Power Range	20 / 25 HP [15 - 18,5 kW]
Pressure Range	7 - 16 Bars [100 - 230 psi]
Flow Range	2300 - 2860 Liters/minute [82 to 100 cfm]
Speed Range	900 - 1100 RPM

This Model replaces IR Model 15T

PARTS LIST - B553 COMPRESSOR



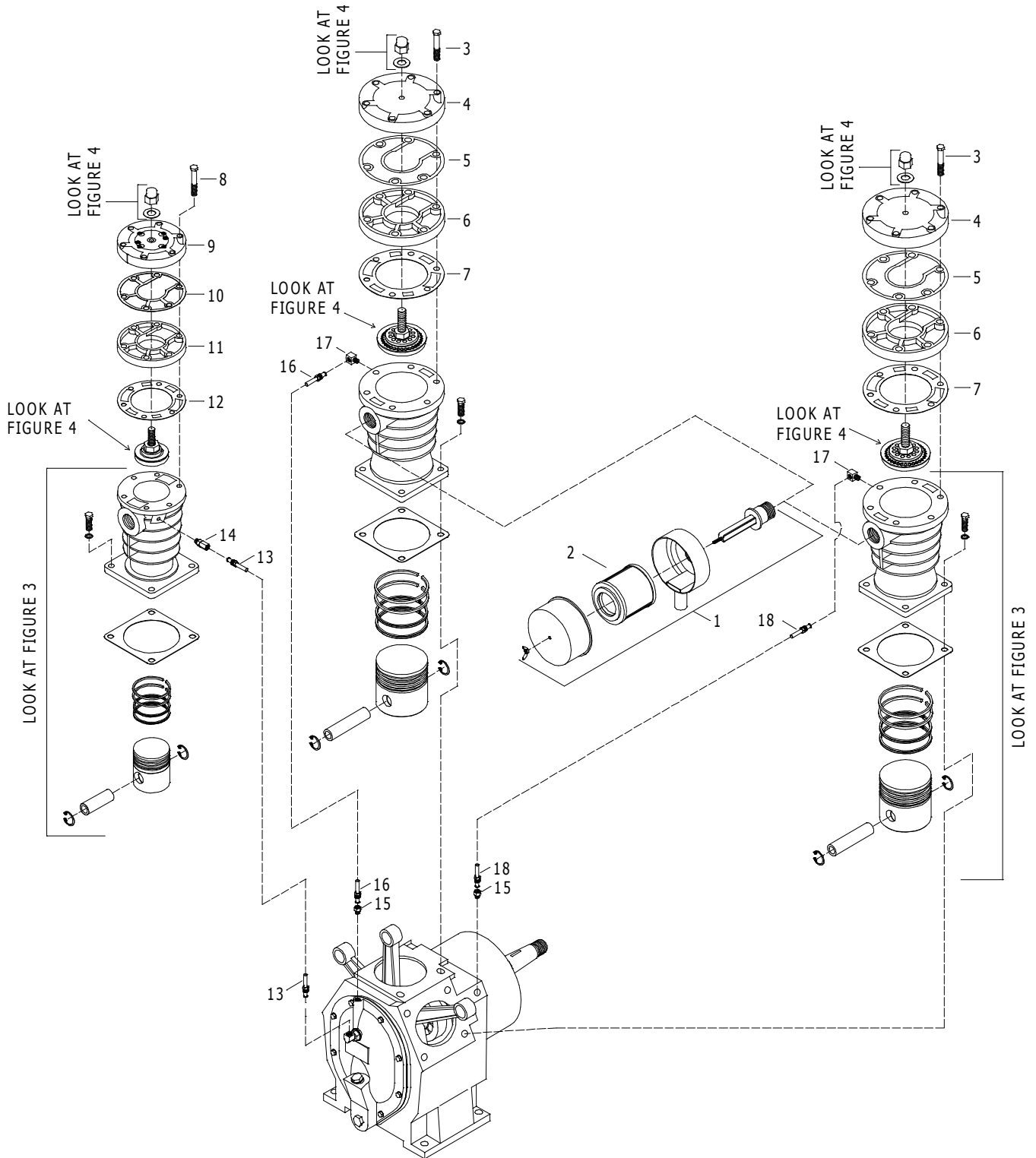
6926-1-030800 B

FIGURE 1 - COMPRESSOR FRAME ASSEMBLY

PARTS LIST - B553 COMPRESSOR

Ref Nr.	Part Nr.	Description		IR P/N	Qty
1.1	0302-1	Plug Oil Drain Pipe	176,808,003	95,344,651	1
1.2	0302	Plug,Oil Filler-Complette	601,535,021	37,128,097	1
1.3	0303	Gasket-Oil Filler Plug	601,435,021		1
1.4	7096-02	Screw Crankcase Cover	121,106,164	95,251,013	8
1.5	7091-02	Gasket-Copper Washer	150,406,004		8
1.6	0003	Cover-Crankcase	800,573,013	37,128,089	1
1.7	0100	Gasket Crankcase Cover	600,473,011	30,439,285	1
1.8	6977	Wheel,V Belt	320,036,670	30,285,191	1
1.9	0087-1	Pilot Valve Assembly	704,073,213		1
1.9.1	0087-2	Body-Pilot Valve	604,073,213		1
1.9.2	0085	Spring-Pilot Valve	604,473,213		1
1.9.3	0089	Spool-Pilot Valve	604,373,213		1
1.9.4	0090	Cap-Pilot Valve	604,973,213		1
1.9.5	5010	Connector-Pilot Valve	149,106,044		1
1.10	0088	Washer-Copper	604,173,011	30,346,597	2
1.11	0091	Pin-Thrust	603,973,213	37,113,719	1
1.12	7099	O Ring-Pilot Valve Pin	623,935,013	95,022,695	1
1.13	1758	Cap Screw-Hex	302,786,670	30,278,667	2
1.14	7100-01	Lockwire	907,992,890	90,799,289	1
1.15	0074	Centrifugal Unloader Ass'y	703,373,013	32,010,272	1
1.16	0075	Body-Centrifugal Unloader	603,373,013	30,210,322	1
1.17	0076	Weight-Centrifugal Unloader	603,673,011	30,220,875	2
1.18	0079	Pin-Weight	603,773,011	30,214,951	2
1.19	7100-02	Lockwire	603,473,011	90,799,271	1
1.20	0077	Spring-Centrifugal Unloader	603,473,011	30,815,898	1
1.21	0078	Plunger	603,573,011	30,285,688	1
1.22	0019	Bushing Center	601,773,013	37,002,383	1
1.23	0020	Connecting Rod	801,873,013	32,003,642	2
1.24	0023	Connecting Rod	801,873,413	32,003,659	1
1.25	7096-02	Screw Oil Retainer Cover	121,106,164	95,251,013	4
1.26	7091-02	Gasket-Copper Washer	150,406,004		4
1.27	0011	Cover-Oil Retainer	600,973,011	37,128,071	1
1.28	7101-01	Retainer Oil	601,073,011	37,007,663	1
1.29	0012	Gasket Oil Retainer Cover	600,873,011	30,294,961	1
1.30	0005	Crankshaft-Complete	703,273,013	32,025,694	1
1.31	7102-01	Key-Woodruff	184,110,485	95,083,721	1
1.32	0093	Nut,V-Belt Wheel	132,122,004	30,287,668	1
1.33	7094-05	Lock Washer	150,332,004	95,265,690	1
1.34	0002	Crankcase	600,173,013	32,008,468	1

PARTS LIST - B553 COMPRESSOR



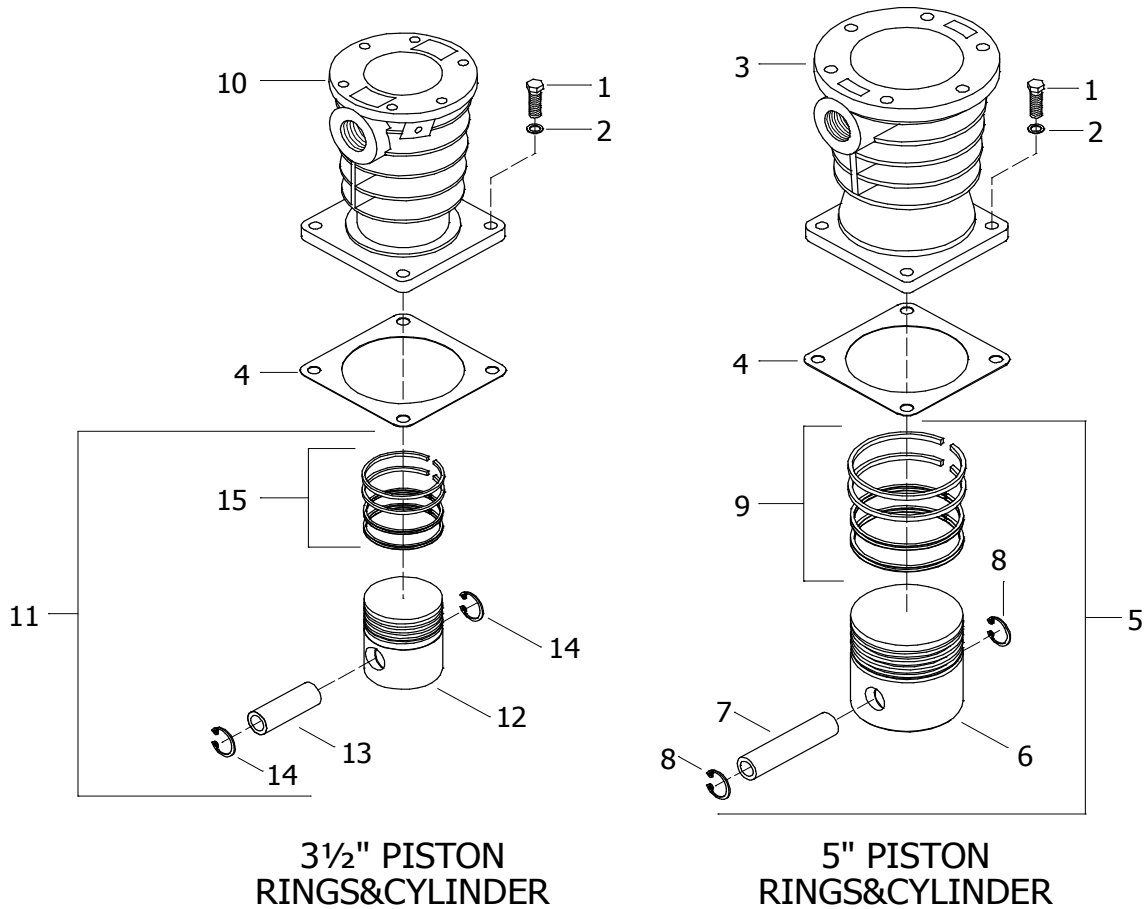
6926-2-180700 A

FIGURE 2 - MODEL 553 BARE COMPRESSOR

PARTS LIST - B553 COMPRESSOR

Ref Nr.	Part Nr.	Description	IR P/N	Qty
2.1	6783	Filter Ass'y	707,473,011	32,109,779 2
2.2	6373	Filter Element	617,673,111	32,012,957 2
2.3	7096-11	Cap Screw-Hex L.P	121,108,484	95,053,054 18
2.4	0038	Cover Top Half L.P	607,173,211	37,130,515 2
2.5	0039	Gasket-Air Head L.P	607,073,211	37,007,747 2
2.6	0040	Air Head-Bottom Half LP	607,173,221	37,130,499 2
2.7	0041	Gasket-Air Head LP	607,073,011	30,294,193 2
2.8	7096-11	Cap Screw-Hex H.P	121,108,484	95,053,054 6
2.9	0051	Air Head-Top Half HP	607,173,611	37,130,382 1
2.10	0052	Gasket-Air Head HP	607,073,421	37,007,754 1
2.11	0053	Air Head-Bottom Half HP	607,173,621	37,130,366 1
2.12	0054	Gasket Cylinder Cover HP	607,073,411	30,294,508 1
2.13	7138	Tube Ass'y		1
2.14	7133	Check Valve		1
2.15	5005	Connector	148,105,024	2
2.16	7139	Tube Ass'y		1
2.17	5009	Connector	149,105,024	2
2.18	7140	Tube Ass'y		1

PARTS LIST - B553 COMPRESSOR

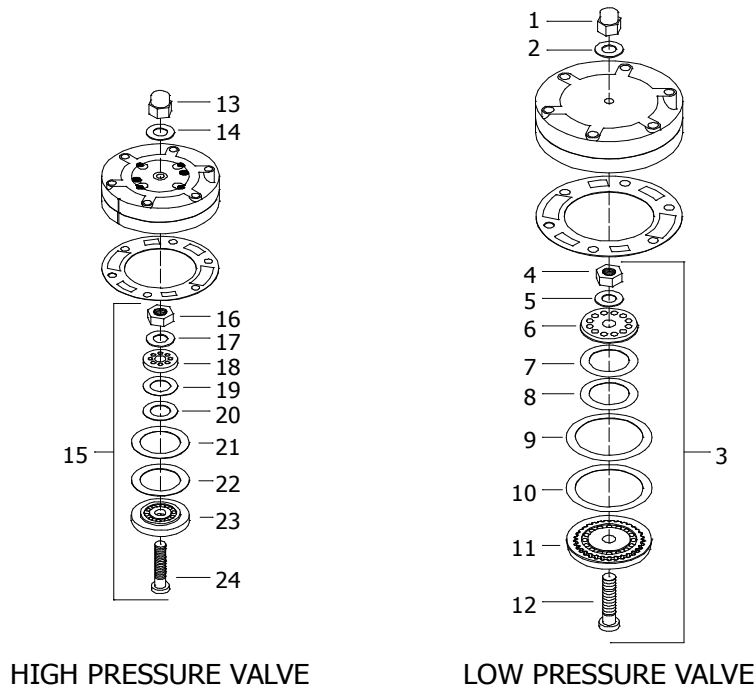


6926-3-170700 A

FIGURE 3 - *PISTONS,RINGS AND CYLINDERS*

Ref.Nr.	Part Nr.	Description	IR P/N	Qty	
3.1	7096-06	Capscrew	121,108,204	95,053,567	12
3.2	7091-03	Washer-Copper	150,408,004	95,674,701	32
3.3	0026	Cylinder-L.P	606,173,033	37,128,782	2
3.4	0028	Gasket Cylinder	606,073,011	30,294,235	3
3.5	0013	Piston Assembly-Low Pressure	701,973,013		2
3.6	0014	Piston-L.P	601,973,013		2
3.7	0015	Piston Pin-L.P	602,073,013		2
3.8	7103-01	Ring-Lock	183,020,004	30,288,450	4
3.9	6784-1	Ring Set-L.P	720,073,001	32,198,376	2
3.10	0027	Cylinder-H.P	606,173,411	37,128,501	1
3.11	0016	Piston Assembly-High Pressure	701,963,413		1
3.12	0017	Piston-H.P	601,963,413		1
3.13	0018	Piston Pin-H.P	602,063,413		1
3.14	7103-01	Ring-Lock	183,020,004	30,288,450	2
3.15	6784-2	Ring Set-H.P		32,218,182	1

PARTS LIST - B553 COMPRESSOR

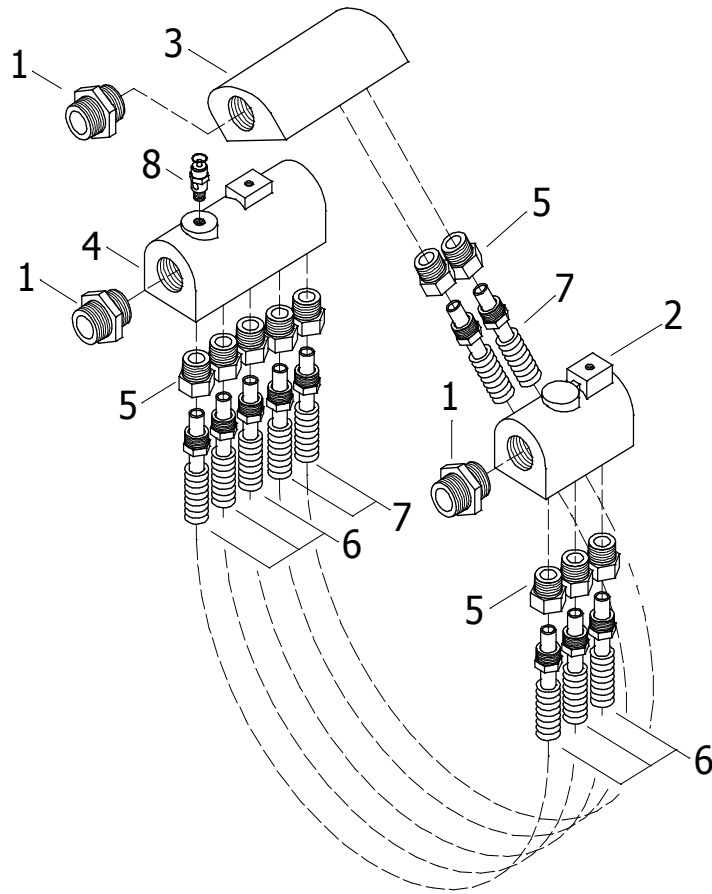


6926-4-030800 B

FIGURE 4 *LOW PRESSURE & HIGH PRESSURE VALVE ASSEMBLIES*

Pos.Nr	P/N	Description	IR P/N	Qty
4.1	0030	Acorn Nut-LP	611,573,011	30,287,650 2
4.2	7104-01	Washer-Spring-LP	150,612,001	37,092,897 2
4.3	1762-1	Low Pressure Valve Ass'y	706,773,011	2
4.4	7097-03	Lock Nut-LP	612,273,011	95,076,816 2
4.5	7104	Washer-Spring-LP	150,612,001	37,092,897 2
4.6	0034	Valve Stop Plate-LP	606,373,011	30,218,978 2
4.7	0032	Spring-Disch Valve-LP	606,873,411	30,221,501 2
4.8	0033	Plate-Dish Valve-LP	606,773,411	30,181,499 2
4.9	0037	Plate-Inlet Valve-LP	606,773,011	30,215,891 2
4.10	0036	Spring-Inlet Valve-LP	606,873,011	30,221,550 2
4.11	0035	Seat Valve-LP	606,473,011	30,229,538 2
4.12	0031	Bolt-Valve Ass'y-LP	811,273,011	30,279,897 2
4.13	0043	Nut-Acorn	611,573,411	30,287,643 1
4.14	7104-02	Washer-Valve Cap	150,610,001	32,158,644 1
4.15	1762-2	High Pressure Valve Ass'y	706,773,411	1
4.16	7097-04	Lock Nut-H.P	132,110,004	95,076,808 1
4.17	7104-02	Washer-Valve Cap	150,610,001	32,158,644 1
4.18	0047	Seat Valve-H.P	606,373,411	30,218,994 1
4.19	0049	Spring-Discharge Valve HP	606,873,611	30,221,576 1
4.20	0048	Plate-Discharge Valve HP	606,773,611	30,215,941 1
4.21	0033	Plate Inlet	606,773,411	30,181,499 1
4.22	0032	Spring-Inlet Valve-HP	606,873,411	30,221,501 1
4.23	0050	Valve Stop Plate-HP	606,473,411	30,217,608 1
4.24	0044	Screw	811,273,411	30,220,925 1

PARTS LIST - B553 COMPRESSOR



6926-5-280700 A

FIGURE 5-*Intercooler Assembly*

Ref.Nr.	Part Nr.	Description	Qty
5.1	7114	Nipple	3
5.2	5506	Manifold	1
5.3	5505	Manifold	1
5.4	5507	Manifold	1
5.5	5016	Connector	10
5.6	7115	Tube-Intercooler	3
5.7	7116	Tube-Intercooler	2
5.8	7128	Safety Valve	1