



**5750 Donahue
Montreal, Quebec, H4S 1C1
Tel: (514) 336-3820 (800) 390-0140
Fax: (514) 745-1764 E-Mail: sales@airtekltd.com
www.airtekltd.com**

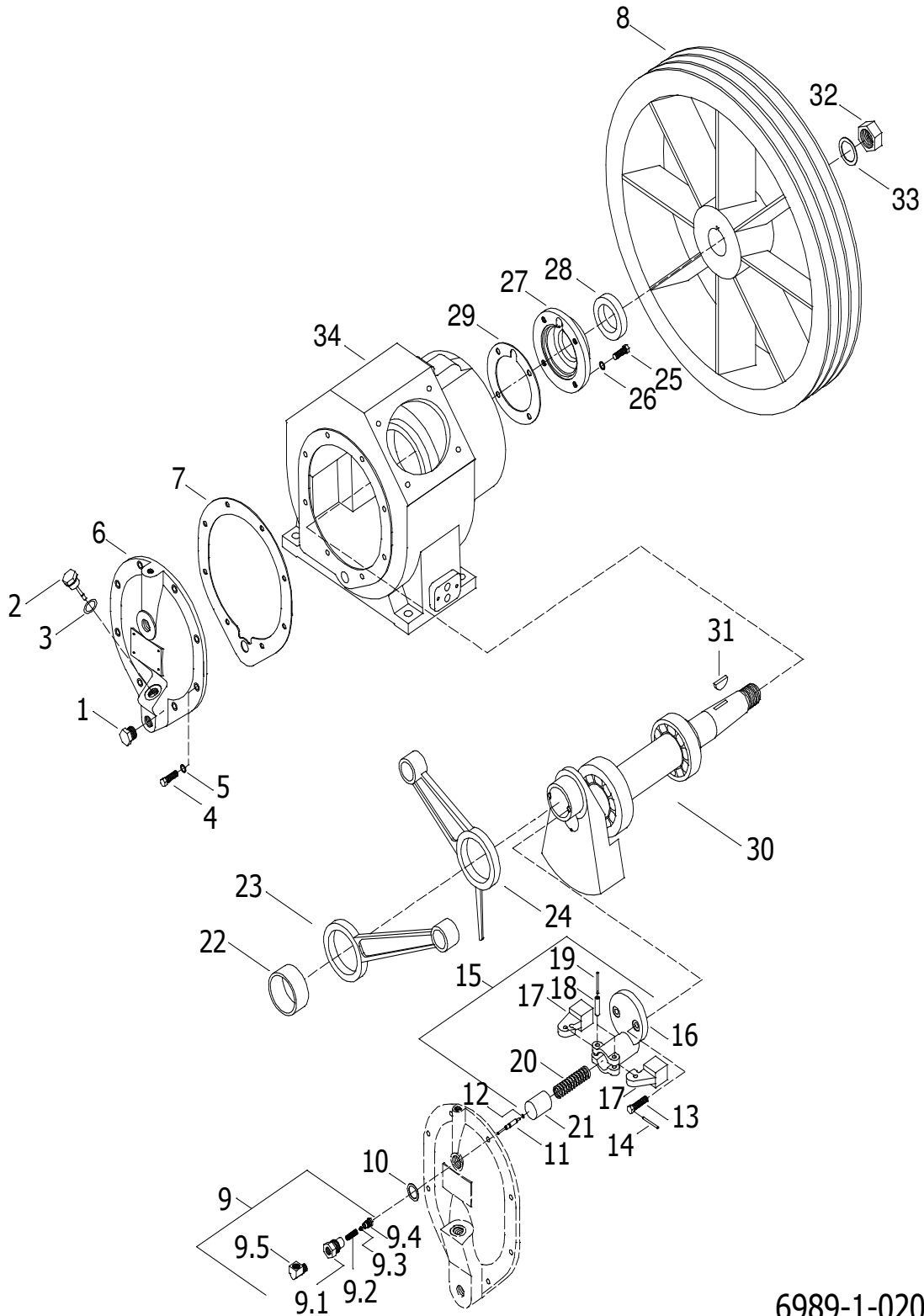
Parts List

B515 2 STAGE INDUSTRIAL AIR COMPRESSOR

Bore - LP	5"
Bore - HP	3"
Stroke	4"

Power Range	10 / 15 HP [7,5 - 11 kW]
Pressure Range	7 - 16 Bars [100 - 230 psi]
Flow Range	1000 - 1500 Liters/minute [35 to 53 cfm]

PARTS LIST - B515 COMPRESSOR



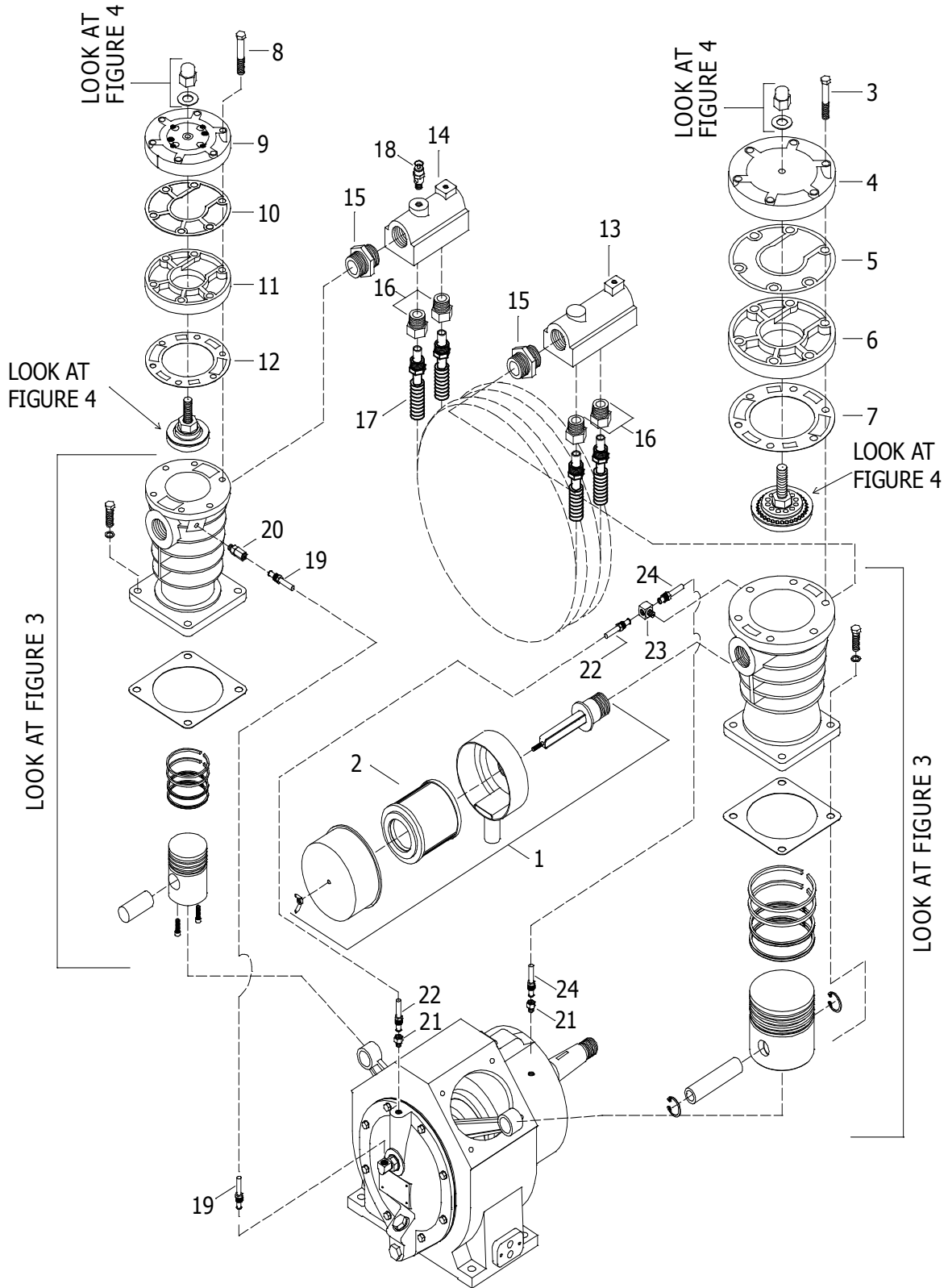
6989-1-020800 A

FIGURE 1 - COMPRESSOR FRAME ASSEMBLY

PARTS LIST - B515 COMPRESSOR

Ref Nr.	Part Nr.	Description	IR P/N	Qty
1.1	0302-1	Plug Oil Drain Pipe	176,808,003	1
1.2	0302	Plug,Oil Filler-Complette	601,535,021	1
1.3	0303	Gasket-Oil Filler Plug	601,435,021	1
1.4	7096-02	Screw Crankcase Cover	121,106,164	8
1.5	7091-02	Washer Crankcase Cover Sc	150,406,004	8
1.6	0209	Crankshaft-Cover	600,571,013	1
1.7	0213	Gasket Crankcase Cover	600,471,013	1
1.8	0264	Wheel,V Belt	602,871,013	1
1.9	0087-1	Pilot Valve Assembly	704,073,213	1
1.9.1	0087-2	Body-Pilot Valve	604,073,213	1
1.9.2	0085	Spring-Pilot Valve	604,473,213	1
1.9.3	0089	Spool-Pilot Valve	604,373,213	1
1.9.4	0090	Cap-Pilot Valve	604,973,213	1
1.9.5	5010	Connector-Pilot Valve	149,106,044	1
1.10	0088	Washer-Copper	604,173,011	2
1.11	0091	Pin-Thrust	603,973,213	1
1.12	7099	O Ring-Pilot Valve Pin	623,935,013	1
1.13	1758	Cap Screw-Hex	623,435,011	2
1.14	7100-01	Lockwire	907,992,890	1
1.15	0074	Centrifugal Unloader Ass'y	703,373,013	1
1.16	0075	Body-Centrifugal Unloader	603,373,013	1
1.17	0076	Weight-Centrifugal Unload	603,673,011	2
1.18	0079	Pin-Weight	603,773,011	2
1.19	7100-02	Lockwire	603,473,011	1
1.20	0077	Spring-Plunger	603,473,011	1
1.21	0078	Plunger	603,573,011	1
1.22	0219	Bushing Center	604,935,013	1
1.23	0020	Connecting Rod	801,873,013	1
1.24	0225	Connecting Rod	801,871,413	1
1.25	7096-02	Screw Oil Retainer Cover	121,106,164	4
1.26	7091-02	Gasket-Copper Washer	150,406,004	4
1.27	0222	Housing-Oil Retainer	600,971,013	1
1.28	7101-04	Oil Retainer	601,071,013	1
1.29	0223	Gasket-Oil Retainer Housing	600,871,013	1
1.30	0542	Crankshaft Assembly	703,271,013	1
1.31	7102	Key-Woodruff	184,108,405	1
1.32	0220	Crankshaft Nut	132,118,004	1
1.33	7094-04	Lock Washer	150,318,004	1
1.34	0211	Crankcase	600,171,013	1

PARTS LIST - B515 COMPRESSOR



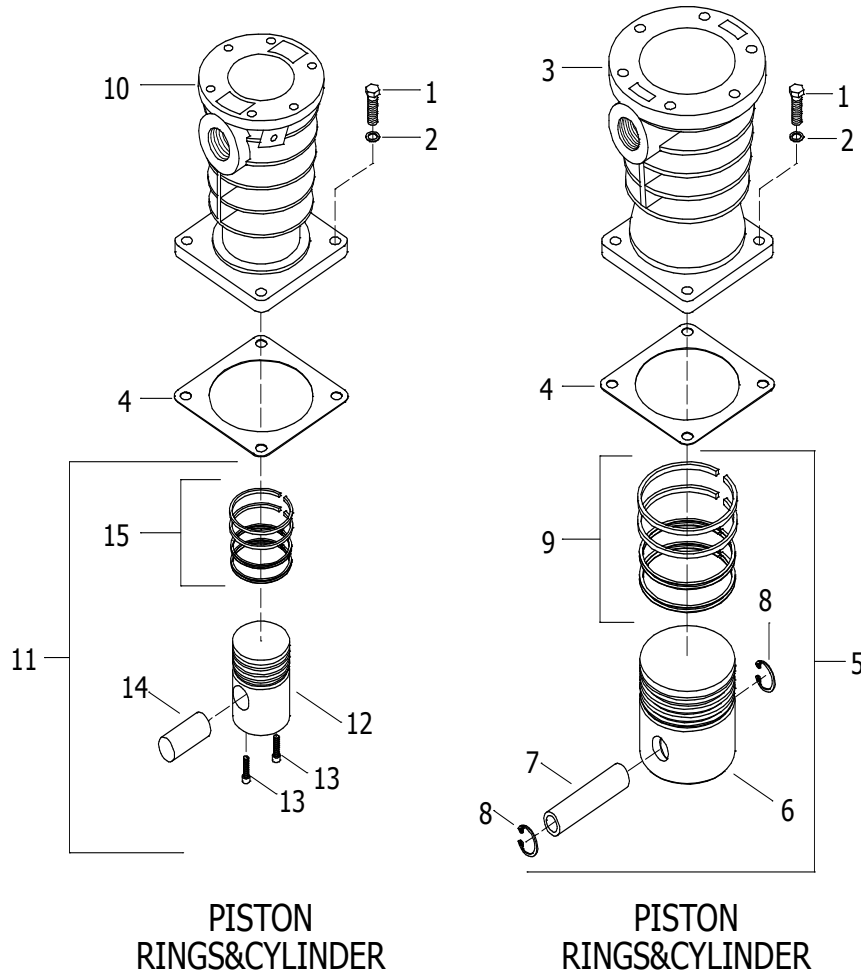
6989-2-030800 A

FIGURE 2 - MODEL 515 BARE COMPRESSOR

PARTS LIST - B515 COMPRESSOR

Ref Nr.	Part Nr.	Description	IR P/N	Qty
2.1	6783	Filter Ass'y	707,473,011	1
2.2	6373	Filter Element	617,673,111	1
2.3	7096-11	Cap Screw-Hex L.P	121,108,484	6
2.4	0516	Air Head-Top Half LP	607,174,211	1
2.5	0517	Gasket-Air Head LP	607,074,211	1
2.6	0518	Air Head-Bottom Half LP	607,174,221	1
2.7	0519	Gasket Cylinder Cover L.P	607,074,011	1
2.8	7096-11	Cap Screw-Hex H.P	121,108,484	6
2.9	0051	Air Head-Top Half H.P	607,173,611	1
2.10	0052	Gasket-Air Head HP	607,073,421	1
2.11	0053	Air Head-Bottom Half H.P	607,173,621	1
2.12	0054	Gasket-Cylinder/Cover H.P	607,073,411	1
2.13	5504-2	Manifold L.P		1
2.14	5504-1	Manifold H.P		1
2.15	7114	Nipple		2
2.16	5016	Connector	95,083,275	4
2.17	7124	Intercooler Ass'y	32,125,262	2
2.18	7128	Safety Valve		1
2.19	7131	Tube Ass'y		1
2.20	7132	Check Valve		1
2.21	5005	Connector		2
2.22	7133	Tube Ass'y		1
2.23	7134	Connector		1
2.24	7135	Tube Ass'y		1

PARTS LIST - B515 COMPRESSOR

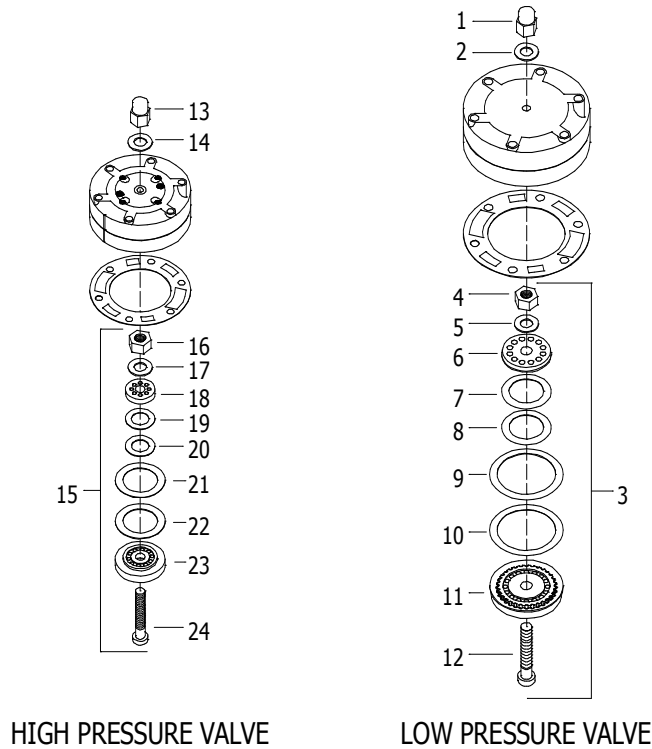


6989-3-260700 A

FIGURE 3 - PISTONS, RINGS AND CYLINDERS

Ref.Nr	Part Nr.	Description	IR P/N	Qty
3.1	7096-06	Capscrew	121,108,204 95,053,567	12
3.2	7091-03	Washer-Copper	150,408,004 95,674,701	32
3.3	0512	Cylinder-L.P	606,174,013	1
3.4	0028	Gasket Cylinder	606,073,011	2
3.5	0506	Piston Assembly-Low Pressu	701,974,013	1
3.6	0507	Piston L.P	601,974,013	1
3.7	0015	Piston Pin-L.P	602,073,013	1
3.8	7103-04	Ring-Lock	183,020,004	2
3.9	7125	Ring Set-L.P		1
3.10	0541	Cylinder-H.P	606,185,413	1
3.11	0538	Piston Assembly-High Press	701,985,413	1
3.12	0539	Piston H.P	601,985,413	1
3.13	7127	Allen Screw	183,020,004	2
3.14	0540	Piston Pin-H.P	602,085,413	1
3.15	7126	Ring Set-H.P		1

PARTS LIST - B515 COMPRESSOR



6989-4-260700 A

FIGURE 4 *LOW PRESSURE & HIGH PRESSURE VALVE ASSEMBLIES*

Pos.Nr	Description	IR P/N	Qty
4.1	0030 Acorn Nut-LP	611,573,011	30,287,650 1
4.2	7104-01 Washer-Spring-LP	150,612,001	37,092,897 1
4.3	1762-3 Low Pressure Valve Ass'y	706,774,011	1
4.4	7097-03 Lock Nut-LP	612,273,011	95,076,816 1
4.5	7104-01 Washer-Spring-LP	150,612,001	37,092,897 1
4.6	0034 Valve Stop Plate-LP	606,373,011	30,218,978 1
4.7	0032 Spring-Disch Valve-LP	606,873,411	30,221,501 1
4.8	0033 Plate-Dish Valve-LP	606,773,411	30,181,499 1
4.9	0036 Spring-Inlet Valve LP	606,873,011	1
4.10	0037 Plate-Inlet Valve LP	606,773,011	30,215,891 1
4.11	0515 Seat Valve-LP	606,474,011	1
4.12	0031 Bolt-Valve Ass'y LP	811,273,011	30,279,897 1
4.13	0043 Nut-Acorn	611,573,411	30,287,643 1
4.14	7104-02 Washer-Valve Cap	150,610,001	32,158,644 1
4.15	1762-2 High Pressure Valve Ass'y	706,773,411	1
4.16	7097-04 Lock Nut-H.P	132,110,004	95,076,808 1
4.17	7104-02 Washer-Valve Cap	150,610,001	32,158,644 1
4.18	0047 Seat Valve-H.P	606,373,411	30,218,994 1
4.19	0049 Spring-Discharge Valve HP	606,873,611	30,221,576 1
4.20	0048 Plate-Discharge Valve HP	606,773,611	30,215,941 1
4.21	0033 Plate-Inlet Valve HP	606,773,411	30,181,499 1
4.22	0032 Spring-Inlet Valve HP	606,873,411	30,221,501 1
4.23	0050 Valve Stop Plate HP	606,473,411	30,217,608 1
4.24	0044 Bolt-Valve Ass'y HP	811,273,411	30,220,925 1