



**5750 Donahue  
Montreal, Quebec, H4S 1C1  
Tel: (514) 336-3820 (800) 390-0140  
Fax: (514) 745-1764 E-Mail: sales@airtekltd.com  
www.airtekltd.com**

## **Parts List**

### **B35**

## **2 STAGE INDUSTRIAL AIR COMPRESSOR**

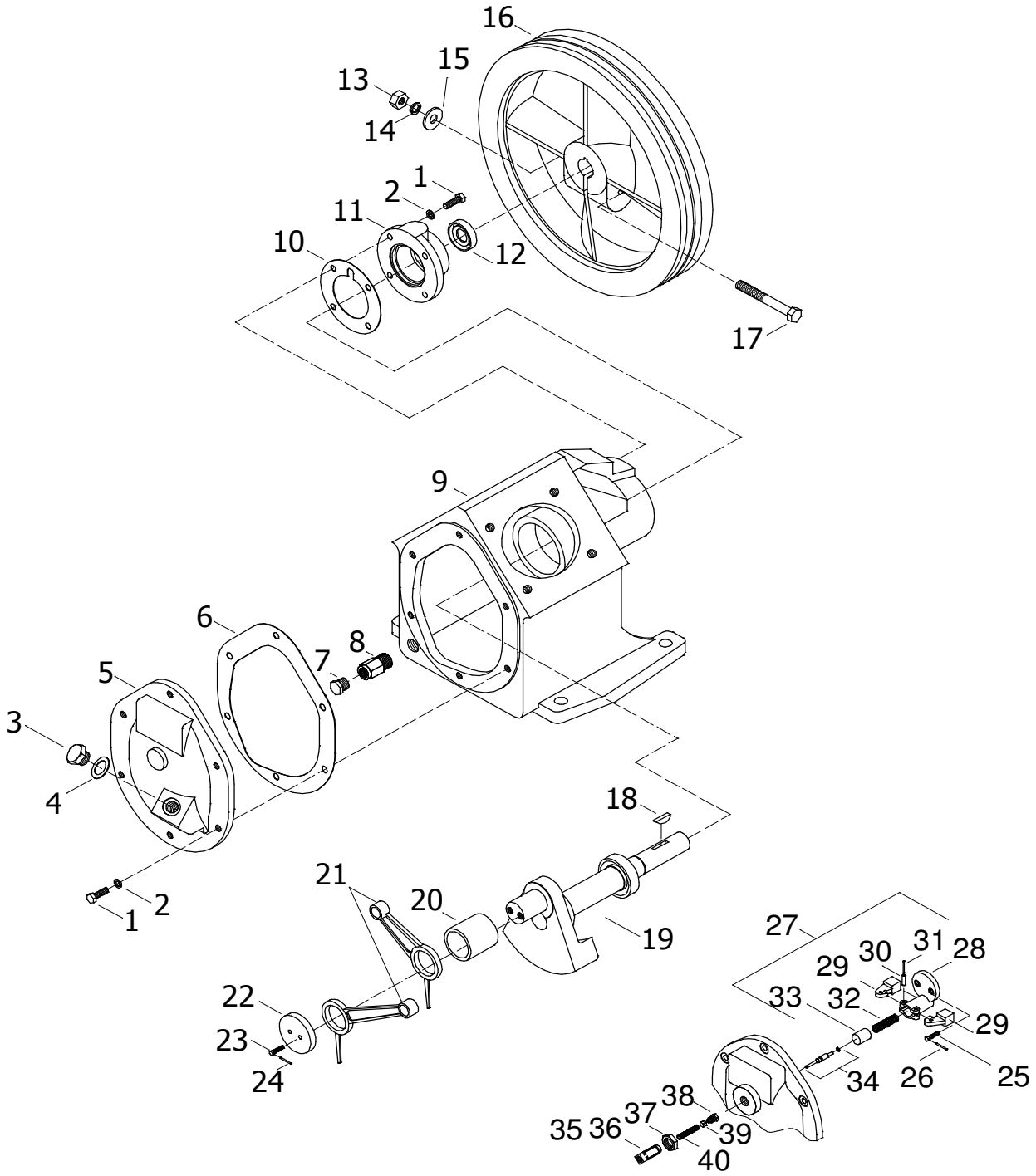
Bore - LP	5"
Bore - HP	3"
Stroke	3,5"

<b>Power Range</b>	<b>5,5 / 7,5 HP [ 4 - 5,5 kW]</b>
<b>Pressure Range</b>	<b>7 - 16 Bars [ 100 - 230 psi]</b>
<b>Flow Range</b>	<b>560 - 780 Liters/minute [20 to 28 cfm]</b>
<b>Speed Range</b>	<b>500 - 760 RPM</b>

**This model replaces IR Model 253. It's parts interchange with the same model.**

Note : New type connecting rods incorporate replaceable inserts. This is far superior to the older version phosphor bronze con rods or IR aluminum rods.

# PARTS LIST - B35 COMPRESSOR



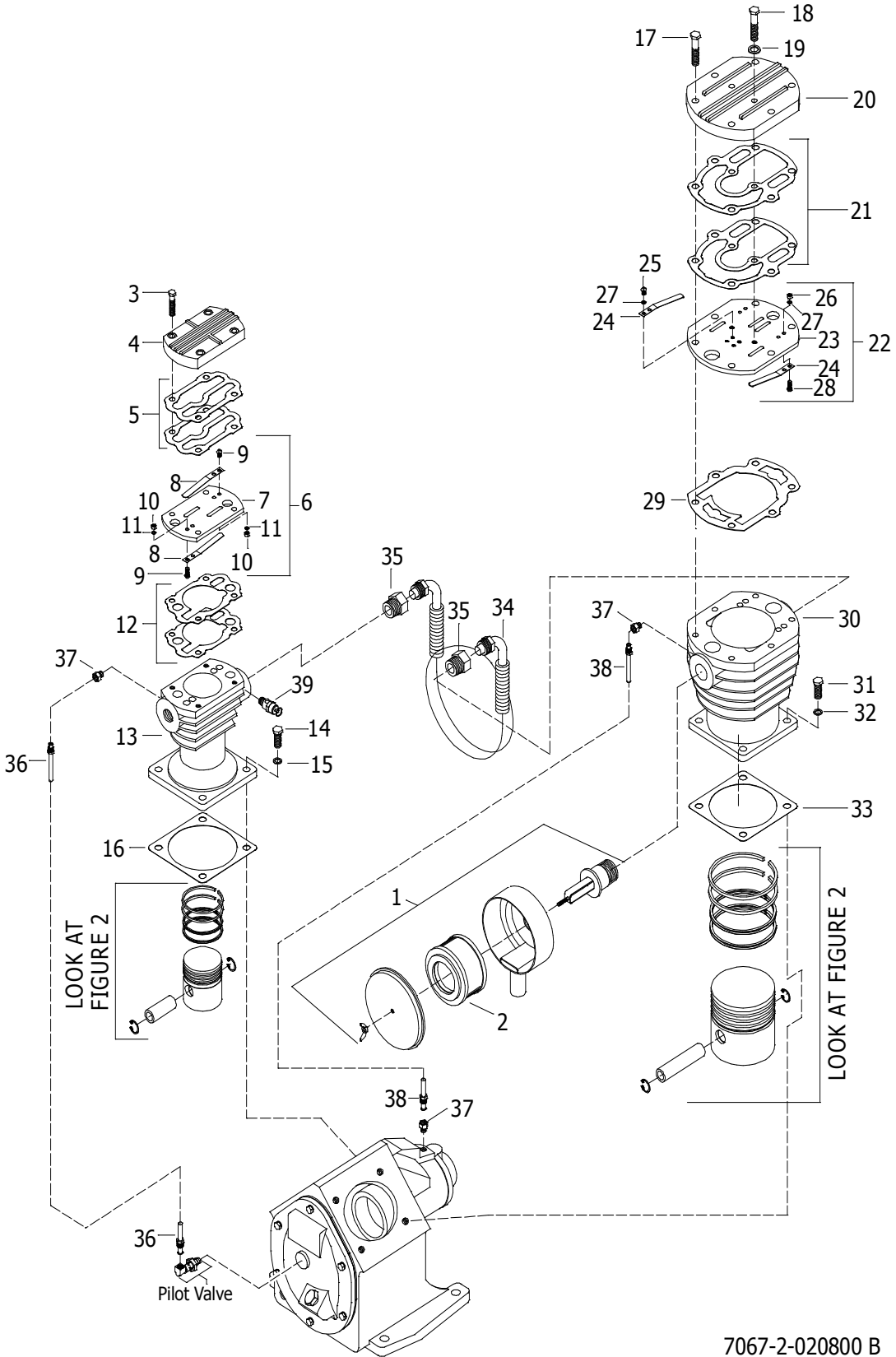
7067-1-020700 B

FIGURE 1 - COMPRESSOR FRAME ASSEMBLY

## PARTS LIST - B35 COMPRESSOR

Ref Nr.	Part Nr.	Description	IR P/N	Qty
1.1	7096-01	Cap Screw-Hex	121,105,164	95,227,302 10
1.2	7091-01	Washer-Crankcase / Cover Screw	150,405,004	95,674,651 10
1.3	0302	Plug,Oil Filler-Complete	601,535,021	30,216,055 1
1.4	0303	Gasket-Oil Filler Plug	601,435,021	95,022,158 1
1.5	1743	Cover-Crankcase	800,535,013	37,100,260 1
1.6	0349	Crankcase Gasket	600,435,011	30,439,327 1
1.7	5018	Plug-Oil Drain	601,535,021	1
1.8	0025	Connector-Oil Drain	600,235,011	30,507,396 1
1.9	1742	Crankcase	600,135,013	32,003,709 1
1.10	0390	Gasket-shaft End Cover	600,835,011	30,280,531 1
1.11	0336	Oil Seal Housing	600,935,011	37,004,330 1
1.12	7101-03	Retainer Oil	601,035,011	1
1.13	7097-02	Nut-Flywheel Screw	131,108,004	95,077,798 1
1.14	7094-02	Washer-Flywheel Screw	150,108,004	95,081,824 1
1.15	7093-04	Lockwasher		2
1.16	0387	Flywheel	602,835,013	30,212,914 2
1.17	7096-12	Screw-Flywheel	121,108,684	95,053,708 1
1.18	5497	Key-Woodruff	184,107,365	95,433,173 1
1.19	0354	Crankshaft Assembly	703,235,013	30,211,593 1
1.20	0348	Bushing-Crankpin	601,735,013	30,210,165 1
1.21	6921	Connecting Rod		91,141,366 2
1.22	7123	Plate		30,210,280 1
1.23	1758	Cap Screw-Hex	623,435,011	95,686,317 2
1.24	7100-03	Lock wire		32,006,587 2
1.25	1758	Cap Screw-Hex	623,435,011	30,278,667 2
1.26	7100-03	Lockwire		90,799,289 2
1.27	0351	Cenrifugal Unloader Assembly	703,335,011	30,278,295 1
1.28	0350	Body-Cenrifugal Unloader	603,335,011	30,210,462 1
1.29	0955	Weight-Cenrifugal Unloader	603,635,011	30,221,725 2
1.30	0187	Pin,Centrifugal Unloader Weight	603,735,011	30,215,008 2
1.31	7100-04	Lockwire		30,206,587 2
1.32	0185	Spring,Centrifugal Unloader	603,435,011	30,416,978 1
1.33	0186	Plunger,Centrifugal Unloader	603,535,011	30,216,113 1
1.34	0194-1	Pin Assembly-Thrust	703,935,013	32,038,698 1
1.35	0194-2	Pin-Thrust	603,935,013	1
1.36	7099	O Ring-Pilot Valve Pin	623,935,013	95,022,695 1
1.37	0189-1	Pilot Valve Assembly	704,035,013	37,007,689 1
1.38	0189-2	Body-Pilot Valve	604,035,013	1
1.39	0191	Nut-Pilot Valve	604,135,013	1
1.40	0193	Cap-Pilot Valve	604,935,013	1
1.41	0192	Spool-Pilot Valve	604,335,023	1
1.42	0190	Spring-Pilot Valve	604,435,013	1
1.43	5009	Connector-Pilot Valve	149,105,024	1

# PARTS LIST - B35 COMPRESSOR



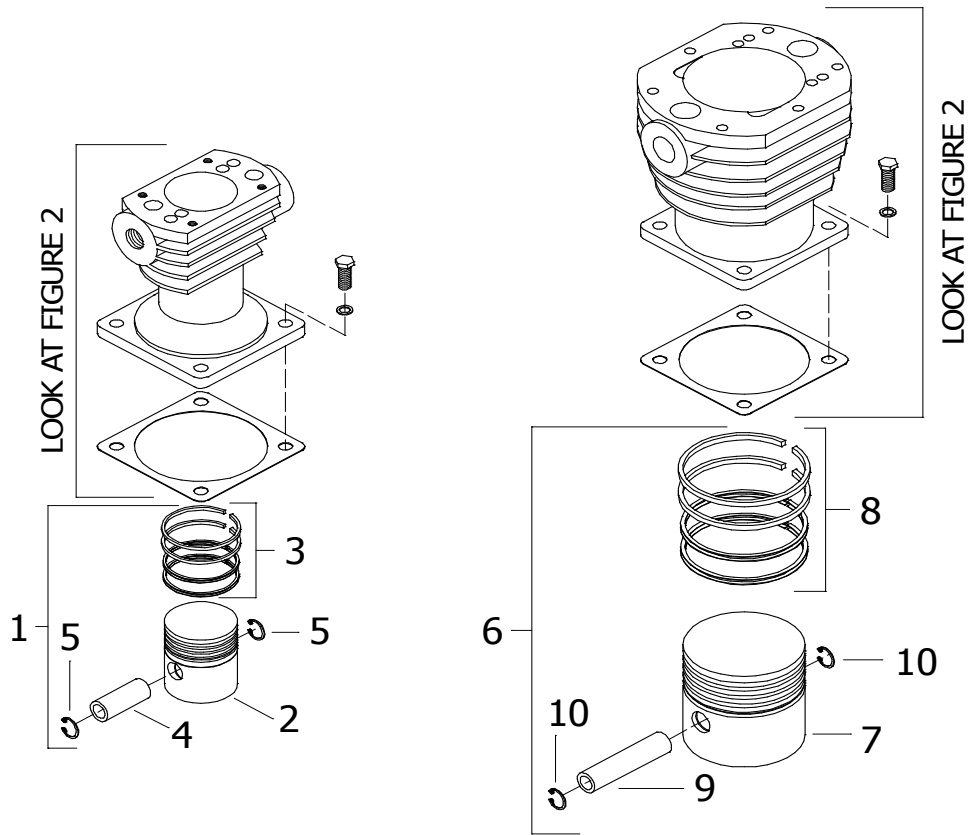
7067-2-020800 B

FIGURE 2 - MODEL B35 BARE COMPRESSOR

## PARTS LIST - B35 COMPRESSOR

Ref Nr.	Part Nr.	Description		IR P/N	Qty
2.1	6783-02	Inlet Filter Assembly			1
2.2	6374	Filter Element			1
2.3	7096-05	Screw,Cylinder Cover-Hex	121,106,324	95,103,818	4
2.4	0176	Cylinder Cover H.P	607,110,011	30,222,376	1
2.5	0177	Gasket Cover/Valve Plate	607,010,011	30,280,502	2
2.6	0404	Valve Plate Assembly H.P	706,635,413		1
2.7	0175	Valve Plate	606,610,011	30,218,788	1
2.8	0181	Finger Valve	606,735,011	30,221,170	3
2.9	0180	Screw	626,635,021		4
2.10	7097-01	Nut-Valve Screw	131,104,004	95,366,803	4
2.11	7094-01	Washer Spring	150,304,004	95,081,766	4
2.12	0178	Gasket-Cyl/Valve Plate H.P	606,510,011	37,007,481	2
2.13	0371	Cylinder H.P	606,135,413	30,212,328	1
2.14	7096-06	Screw Cylinder-Hex	121,108,204	95,053,567	4
2.15	7091-03	Washer-Cylinder Screw	150,408,004	30,345,235	4
2.16	0360	Gasket-Cylinder/Crankcase	606,035,011	30,294,201	1
2.17	7096-07	Screw,Cylinder Cover-Hex	121,108,324	95,104,188	6
2.18	7096-03	Screw,Cylinder Cover-Hex	121,106,204	95,468,443	2
2.19	7091-02	Washer-Cylinder Cover Screw	150,406,004	30,345,227	2
2.20	0377	Cylinder Cover L.P	607,135,011	30,213,672	1
2.21	0376	Gasket-Valve Plate/Cover L.P	607,035,011	30,280,358	2
2.22	0372	Valve Plate Assembly L.P	706,635,011		1
2.23	0373	Valve Plate L.P	606,635,011	30,218,770	1
2.24	0181	Finger Valve	606,735,011	30,221,170	4
2.25	0374	Screw	626,635,011		4
2.26	7097-01	Nut-Valve Screw	131,104,004	95,366,803	4
2.27	7094-01	Washer Spring	150,304,004	95,081,766	8
2.28	0180	Screw	626,635,021		4
2.29	0375	Gasket-Cylinder/Valve Plate L.P	606,535,011	30,280,366	1
2.30	0369	Cylinder L.P	606,135,011	30,212,336	1
2.31	7096-06	Screw Cylinder-Hex	121,108,204	95,053,567	4
2.32	7091-03	Washer-Cylinder Screw	150,408,004	30,345,235	4
2.33	0360	Gasket-Cylinder/Crankcase	606,035,011	30,294,201	1
2.34	7087	Intercooler		32,125,262	1
2.35	5016	Connector		95,083,275	2
2.36	7129	Tube Assy			1
2.37	5005	Connector			3
2.38	7130	Tube Assy			1
2.39	7128	Safety Valve			1

## PARTS LIST - B35 COMPRESSOR



7067-3-240700 A

FIGURE 3 - *PISTONS, RINGS AND CYLINDERS*

Ref.Nr.	Part Nr.	Description	IR P/N	Qty	
3.1	7106-04	Piston Assembly H.P	701,935,413	30,215,255	1
3.2	0359	Piston H.P	601,935,413	30,215,255	1
3.3	7107-04	Ring Set		32,015,133	1
3.4	0367	Piston Pin H.P	602,035,413	30,297,063	1
3.5	7103-03	Lock Ring Pin	183,016,004	30,298,020	2
3.6	7106-05	Piston Assembly L.P	701,935,013	30,215,263	1
3.7	0368	Piston L.P	601,935,023	30,287,825	1
3.8	7107-05	Ring Set		32,015,174	1
3.9	0366	Piston Pin L.P	602,035,013	30,297,022	1
3.10	7103-03	Lock Ring Pin	183,016,004	30,298,020	2