



**5750 Donahue  
Montreal, Quebec, H4S 1C1  
Tel: (514) 336-3820 (800) 390-0140  
Fax: (514) 745-1764 E-Mail: sales@airtekltd.com  
www.airtekltd.com**

## **Parts List**

### **B25**

## **2 STAGE INDUSTRIAL AIR COMPRESSOR**

Bore - LP	110 mm
Bore - HP	2,5"
Stroke	2,75"

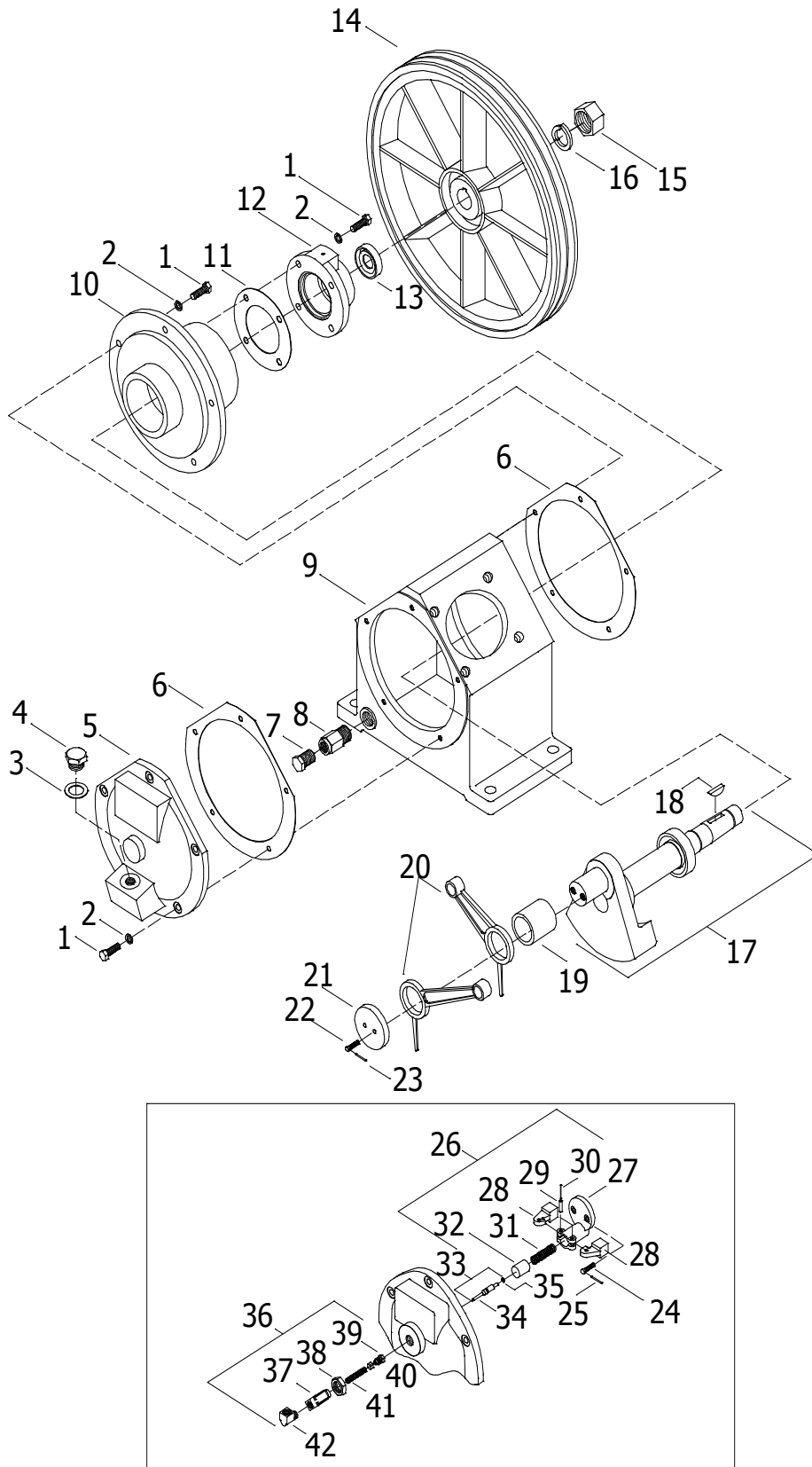
<b>Power Range</b>	<b>3 / 5,5 HP [ 2,2 - 4 kW]</b>
<b>Pressure Range</b>	<b>7 - 16 Bars [ 100 - 230 psi]</b>
<b>Flow Range</b>	<b>300 - 620 Liters/minute [11 to 22 cfm]</b>

**This model is interchangeable with IR Model 242 as follows :**

- The bare pump replaces the model 242 with an adapter # 3501
- Connecting rods, hp stage (all parts), seal and housing are interchangeable
- Flywheel is the same diameter but improved for superior cooling.
- Crankshaft bearings and size is the same, except it should be used with the modified flywheel (shaft edge tapered as on 15T / 553 models).
- Discharge location and size is the same.
- Intake filter assembly is the same.

Note : New series connecting rods have replaceable inserts which widens the scope of servicing. It has longer life and superior performance than the old type phosphor bronze connecting rods, and is far superior to IR aluminum connecting rods.

# PARTS LIST - B25 COMPRESSOR



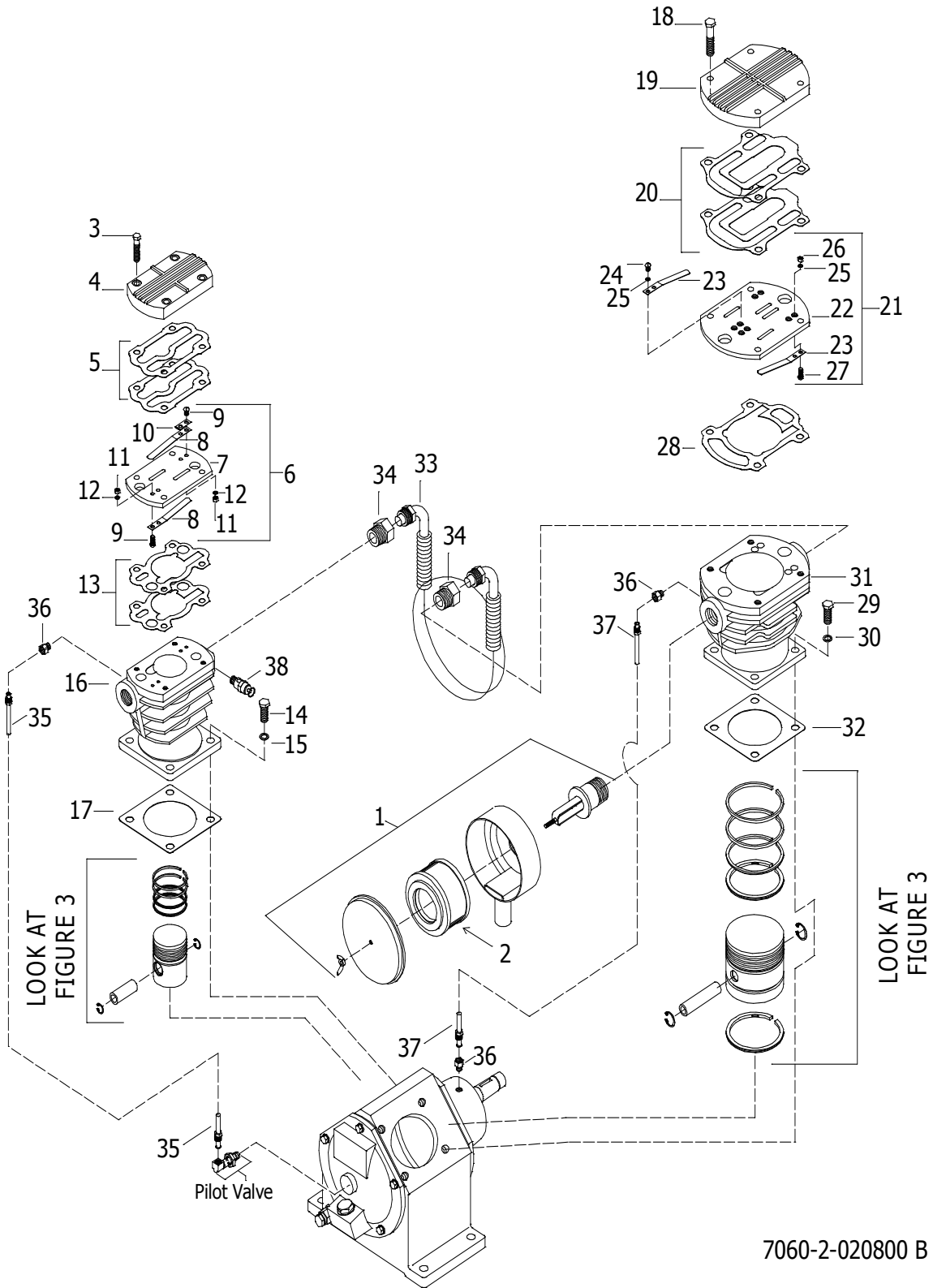
7060-1-020800 B

FIGURE 1 - COMPRESSOR FRAME ASSEMBLY

## PARTS LIST - B25 COMPRESSOR

Ref Nr.	Part Nr.	Description		Qty
1.1	7096-01	Cap Screw-Hex	121,105,164	14
1.2	7091-01	Gasket-Copper Washer	150,405,004	14
1.3	0303	Gasket-Oil Filler Plug	601,435,021	1
1.4	0302	Plug,Oil Filler-Complete	601,535,021	1
1.5	5205	Cover-Crankcase		1
1.6	5766	Gasket-Crankcase/Cover	7,108	2
1.7	5018	Plug-Oil Drain	176,006,003	1
1.8	0025	Connector-Oil Drain	600,235,011	1
1.9	5201	Crankcase		1
1.10	5207	Bearing Housing		1
1.11	0410	Gasket,shaft End Cover	600,823,011	1
1.12	0409	Housing-Retainer Oil	600,923,011	1
1.13	7101-02	Retainer Oil	601,023,011	1
1.14	5700	Wheel,V-Belt		1
1.15	7097-02	Nut-Hex		1
1.16	7094-02	Lockwasher-Spring	150,308,004	1
1.17	7112	Crankshaft Assembly		1
1.18	5497	Key-Woodruff	184,107,365	1
1.19	0426	Bushing-Crankpin	601,723,013	1
1.20	6925	Rod-Connecting		2
1.21	1746	Plate	623,332,301	1
1.22	1758	Cap Screw-Hex	623,435,011	2
1.23	7100-03	Lockwire		2
1.24	1758	Cap Screw-Hex	623,435,011	2
1.25	7100-03	Lockwire		2
1.26	7110	Centrifugal Assembly		1
1.27	7111	Body-Centrifugal Unloader		1
1.28	0955	Weight-Centrifugal Unloader	603,635,011	2
1.29	0187	Pin,Centrifugal Unloader Weight	603,735,011	2
1.30	7100-04	Lockwire		2
1.31	0185	Spring,Centrifugal Unloader	603,435,011	1
1.32	0186	Plunger,Centrifugal Unloader	603,535,011	1
1.33	0194-1	Pin Assembly-Thrust	703,935,013	1
1.34	0194-2	Pin-Thrust	603,935,013	1
1.35	7099	O Ring-Pilot Valve Pin	623,935,013	1
1.36	0189-1	Pilot Valve Assembly	704,035,013	1
1.37	0189-2	Body-Pilot Valve	604,035,013	1
1.38	0191	Nut-Pilot Valve	604,135,013	1
1.39	0193	Cap-Pilot Valve	604,935,013	1
1.40	0192	Spool-Pilot Valve	604,335,023	1
1.41	0190	Spring-Pilot Valve	604,435,013	1
1.42	5009	Connector	149,105,024	1

# PARTS LIST - B25 COMPRESSOR



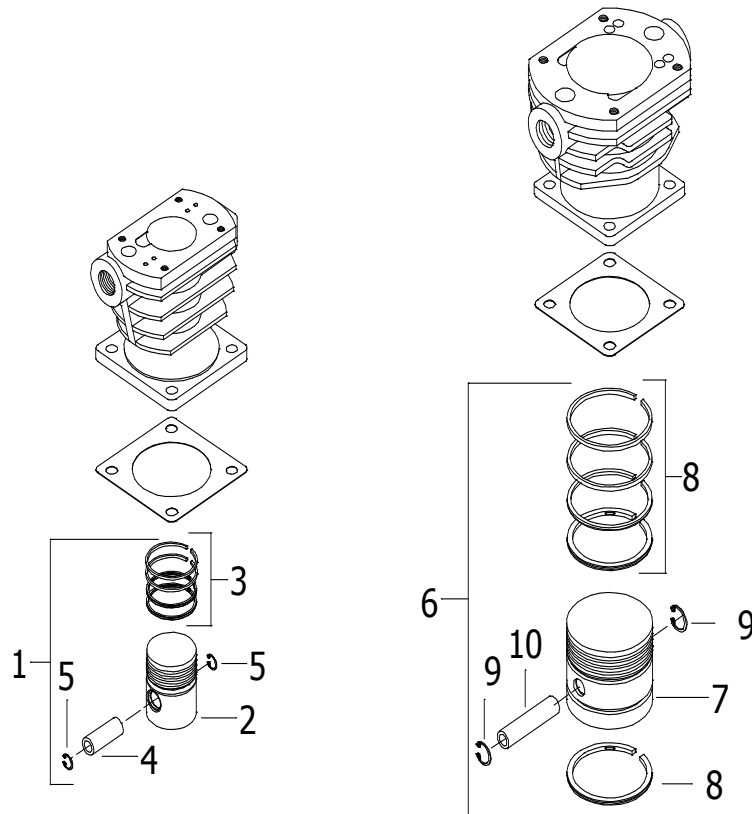
7060-2-020800 B

FIGURE 2 - MODEL B25 BARE COMPRESSOR

## PARTS LIST - B25 COMPRESSOR

Ref Nr.	Part Nr.	Description		Qty
2.1	6783-02	Inlet Filter Assembly		1
2.2	6374	Filter Element		1
2.3	7096-09	Screw Cylinder Cover-Hex	121,106,324	4
2.4	0176	Cylinder Cover H.P	607,110,011	1
2.5	0177	Gasket-Cover/Valve Plate H.P	607,010,011	2
2.6	0404	Valve Plate Ass'y H.P	706,635,413	1
2.7	0175	Valve Plate	606,610,011	1
2.8	0181	Finger Valve	606,735,011	2
2.9	0374	Screw	626,635,011	4
2.10	7105	Shim-Finger Valve		1
2.11	7097-01	Nut-Valve Screw	131,104,004	4
2.12	7094-01	Washer Spring	150,304,004	4
2.13	0361	Gasket-Cylinder/Valve Plate	606,523,411	2
2.14	7096-06	Screw Cylinder-Hex	121,108,204	4
2.15	7091-03	Copper Washer-Cylinder Screw	150,408,004	4
2.16	0418	Cylinder 2.5" H.P	606,123,413	1
2.17	0419	Gasket Cylinder	606,023,011	1
2.18	7096-09	Screw Cylinder Cover-Hex	121,106,324	4
2.19	5203	Cylinder Cover L.P		1
2.20	5502	Gasket Valve Plate Cover L.P		2
2.21	7113	Valve Plate Ass'y L.P		1
2.22	5199	Valve Plate L.P		1
2.23	0181	Finger Valve	606,735,011	4
2.24	0374	Screw	626,635,011	2
2.25	7094-01	Washer Spring	150,304,004	4
2.26	7097-01	Nut-Valve Screw	131,104,004	4
2.27	0180	Screw	626,635,021	2
2.28	5501	Gasket-Cylinder/Valve Plate L.P		1
2.29	7096-06	Screw Cylinder-Hex	121,108,204	4
2.30	7091-03	Copper Washer-Cylinder Screw	150,408,004	4
2.31	5209	Cylinder L.P		1
2.32	0419	Gasket Cylinder L.P	606,023,011	1
2.33	7088	Intercooler		1
2.34	5016	Connector-Aftercooler		2
2.35	7129	Tube Assy		1
2.36	5005	Connector		2
2.37	7130	Tube Assy		1
2.38	7128	Safety Valve		1

## PARTS LIST - B25 COMPRESSOR



7060-3-200700 A

FIGURE 3 - *PISTONS,RINGS AND CYLINDERS*

Ref.Nr	Part Nr.	Description	Qty
3.1	7106-01	Piston Assembly H.P	701,923,413 1
3.2	0425	Piston H.P	601,923,413 1
3.3	7107-01	Ring Set	1
3.4	0422	Piston Pin H.P	1
3.5	7103-02	Lock Ring Pin	183,016,004 2
3.6	7106-03	Piston Assembly L.P	1
3.7	5299	Piston L.P	1
3.8	7107-03	Ring Set	1
3.9	7103-02	Lock Ring Pin	183,016,004 2
3.10	5298	Piston Pin L.P	1