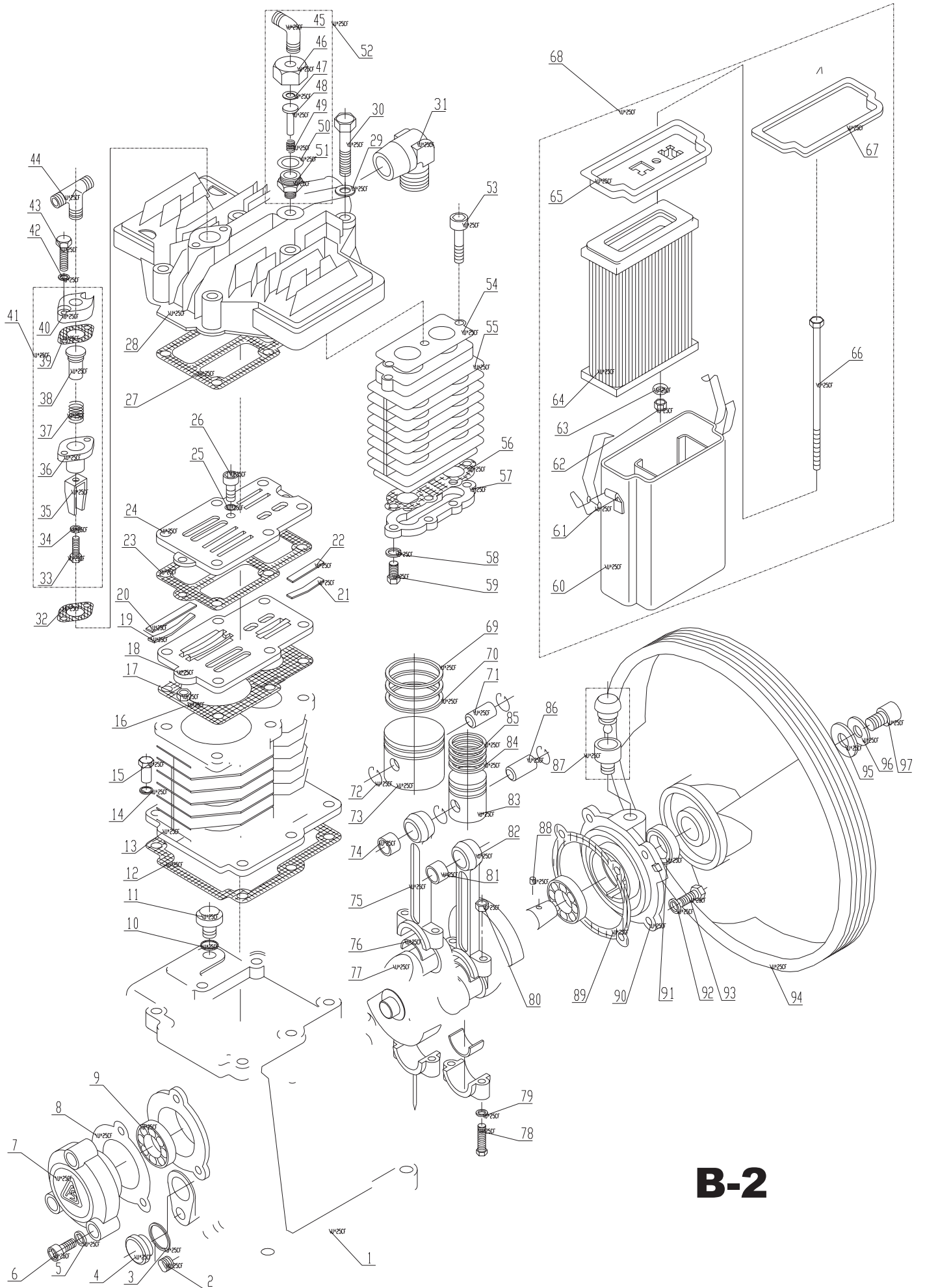


5750 DONAHUE STREET, MONTREAL, QUEBEC. H4S 1C1
TEL.: 514-336-3820, 800-390-0140 FAX: 514-745-1764
www.airtekltd.com E-MAIL info@airtekltd.com

Fu Sheng

B-2 Pump





B-2

ITEM	DESCRIPTION	QTY	PART NO.
1	CRANKCASE	1	70153-57011
2	SCREW PLUG	1	70153-12350
3	OIL GAUGE PACKING	1	70111-57730
4	OIL GAUGE ASSEMBLY	1	70111-57700
5	COPPER WASHER	3	92521-190800
6	BOLT	3	91521-1308050
7	BACK BEARING COVER	1	70153-57061
8	BACK BEARING COVER PACKING	1	70153-57961
9	BEARING	2	93501-6206
10	O RING	1	93601-810018
11	OIL CAP	1	70123-57190
12	CYLINDER-CRANKCASE PACKING	1	70153-51611
13	CYLINDER	1	70153-51011
14	COPPER WASHER	6	92521-190800
15	BOLT	6	91501-1308030
16	GASKET	1	70153-11622
17	NUT	3	92501-230500
18	VALVE SEAT (Below)	1	70153-31021
19	LP SPRING	4	70153-31072
20	LP VALVE PLATE	4	70153-31032
21	HP SPRING	2	70153-32072
22	HP VALVE PLATE	2	70153-32032
23	GASKET	1	70153-31120
24	VALVE SEAT	1	70153-31011
25	SPRING WASHER	3	92522-130500
26	BOLT	3	-
27	CYLINDER-HEAD PACKING	1	70153-11612
28	CYLINDER HEAD	1	70153-11011
29	SPRING WASHER	6	92522-130800
30	BOLT	6	91501-1308070
31	OUTLET PIPE JOINT	1	70124-87011
32	GASKET	1	70153-11641
33	BOLT	1	91521-1306016
34	SPRING WASHER	1	92522-130600
35	INLET VALVE UNLOADING FORK	1	70153-31080
36	UNLOADER CYLINDER	1	70153-11211
37	UNLOADER SPRING	1	70153-11231
38	UNLOADER PISTON	1	70153-11222
39	GASKET	1	70153-11631
40	UNLOADER COVER	1	70153-11270
41	LP UNLOADER ASS'Y	1	70153-11201
42	SPRING WASHER	2	92522-130600
43	BOLT	2	91521-1306025
44	COPPER JOINT	1	90126-150101
45	COPPER ELBOW	1	79926-150101
46	UNLOADER COVER	1	70103-11271
47	O RING	1	93601-870009
48	HP UNLOADER PISTON	1	70153-12222
49	HP UNLOADER SPRING	1	70103-11231
50	COPPER WASHER	1	70152-12280
51	UNLOADER CYLINDER	1	70103-11211
52	HP UNLOADER ASS'Y	1	70153-12201
53	BOLT	3	91521-1308030

ITEM	DESCRIPTION	QTY	PART NO.
54	GASKET	1	70153-71612
55	INTERCOOLER	1	70153-71111
56	GASKET	1	70153-71622
57	INTERCOOLER COVER	1	70153-71161
58	SPRING WASHER	6	92522-130600
59	BOLT	6	-
60	AIR FILTER BODY ASS'Y	1	70153-66012
61	MOUNTING SPRING PART ASS'Y	2	70153-66200
62	SELF-LOCK NUT	1	92517-230600
63	WASHER	1	92521-130600
64	FILTER ELEMENT & GASKET ASS'Y	1	70153-66142
65	AIR FILTER COVER	1	70153-66121
66	BOLT	1	70153-66160
67	GASKET	1	70153-66132
68	AIR FILTER ASS'Y	1	70153-66002
69	LP COMPRESSION RING	2	70124-61030
70	LP OIL RING	1	70124-61050
71	LP PISTON PIN	1	70153-61121
72	PIN LOCK	4	70153-61071
73	LP PISTON	1	70153-61011
74	LP CONNECTING ROD PISTON PIN BUSH	1	70153-61081
75	LP CONNECTING ROD ASSEMBLY	1	70153-61211
76	CONNECTING ROD SHAFT TILE	4	70153-61090
77	CRANKSHAFT	1	70153-56011
78	BOLT	4	70153-61250
79	SPRING WASHER	4	92522-130800
80	NUT	4	92501-230800
81	BEARING	1	93503-TA2420
82	HP CONNECTING ROD ASSEMBLY	1	70153-62211
83	HP PISTON	1	70153-62011
84	HP OIL RING	1	70153-62050
85	HP COMPRESSION RING	3	70153-62030
86	HP PISTON PIN	1	70153-62121
87	BREATHER ASS'Y	1	70124-57600
88	KEY	1	70123-56061
89	FRONT BEARING COVER PACKING	1	70153-57951
90	FRONT BEARING COVER	1	70153-57030
91	FRONT OIL SEAL	1	70123-57080
92	COPPER WASHER	4	92521-190800
93	BOLT	4	91501-1308030
94	COMPRESSER PULLEY	1	70153-76011
95	WASHER	1	70123-76210
96	SPRING WASHER	1	92522-130800
97	BOLT	1	91501-1110030-5608