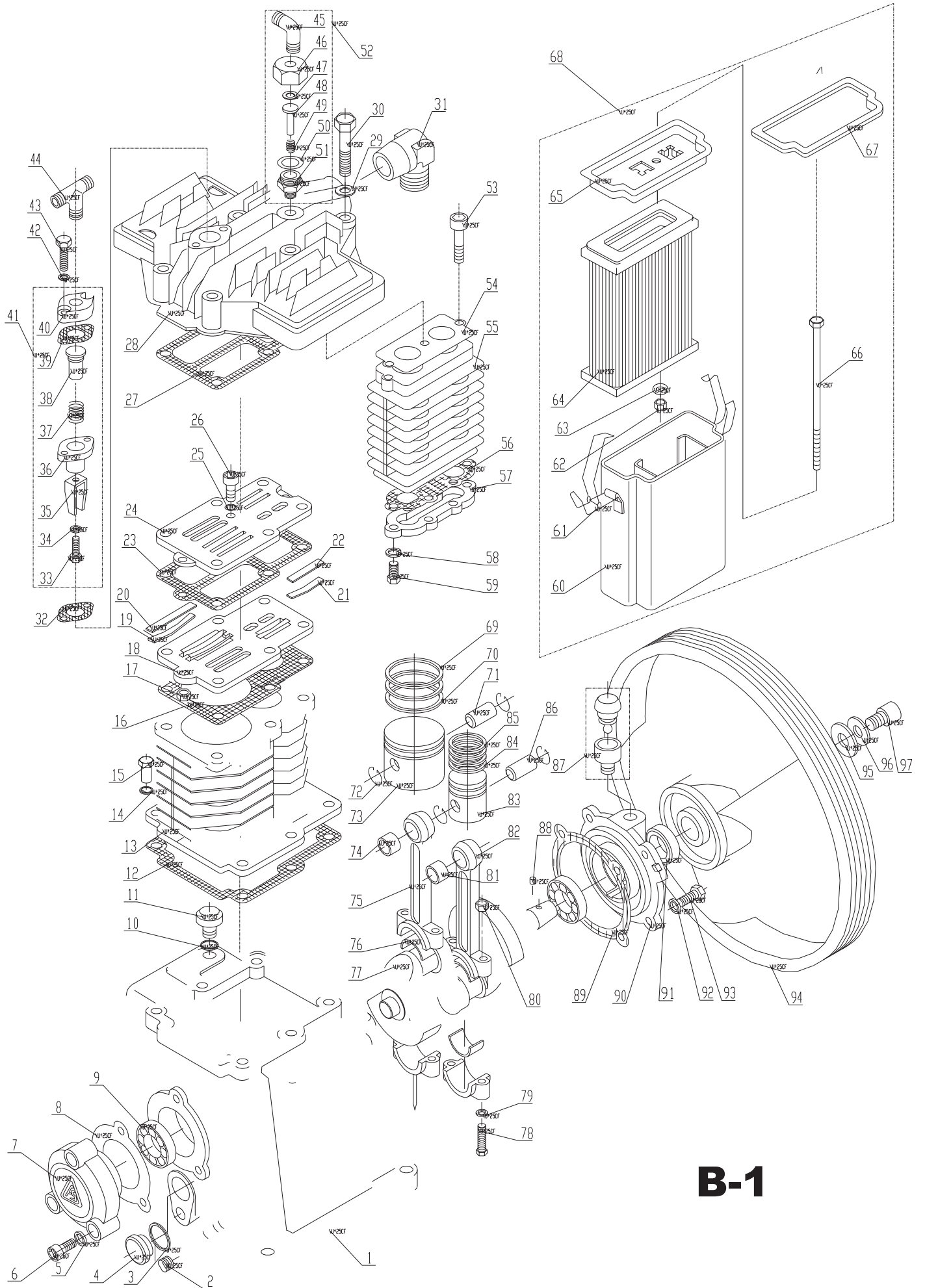


5750 DONAHUE STREET, MONTREAL, QUEBEC. H4S 1C1
TEL.: 514-336-3820, 800-390-0140 FAX: 514-745-1764
www.airtekltd.com E-MAIL info@airtekltd.com

Fu Sheng

B-1 Pump





B-1

ITEM	DESCRIPTION	QTY	PART NO.
1	CRANKCASE	1	70152-57010
2	SCREW PLUG	1	70153-12350
3	OIL GAUGE PACKING	1	70111-57730
4	OIL GAUGE ASSEMBLY	1	70111-57700
5	COPPER WASHER	3	92521-190800
6	BOLT	3	91521-1308050
7	BACK BEARING COVER	1	70152-57060
8	BACK BEARING COVER PACKING	1	70152-57960
9	BEARING	2	93501-6205
10	O RING	1	93601-870015
11	OIL CAP	1	70101-57190-4024
12	CYLINDER-CRANKCASE PACKING	1	70152-51610
13	CYLINDER	1	70152-51010
14	COPPER WASHER	6	92521-190800
15	BOLT	6	91501-1308030
16	GASKET	1	70152-11622
17	NUT	3	92501-230500
18	VALVE SEAT	1	70152-31020
19	LP SPRING	4	70152-31071
20	LP VALVE PLATE	4	70152-31030
21	HP SPRING	2	70152-32071
22	HP VALVE PLATE	2	70152-32030
23	GASKET	1	70152-31120
24	VALVE SEAT	1	70152-31010
25	SPRING WASHER	3	92522-130500
26	BOLT	3	-
27	CYLINDER-HEAD PACKING	1	70152-11612
28	CYLINDER HEAD	1	70152-11010
29	SPRING WASHER	6	92522-130800
30	BOLT	6	91501-1308070
31	OUTLET PIPE JOINT	1	70123-87051
32	GASKET	1	70153-11641
33	BOLT	1	91521-1306016
34	SPRING WASHER	1	92522-130600
35	INLET VALVE UNLOADING FORK	1	70152-31080
36	UNLOADER CYLINDER	1	70153-11211
37	UNLOADER SPRING	1	70153-11231
38	UNLOADER PISTON	1	70153-11222
39	GASKET	1	70153-11631
40	UNLOADER COVER	1	70153-11270
41	LP UNLOADER ASS'Y	1	70152-11201
42	SPRING WASHER	2	92522-130600
43	BOLT	2	91521-1306025
44	COPPER JOINT	1	90126-150101
45	COPPER ELBOW	1	79926-150101
46	UNLOADER COVER	1	70103-11270
47	O RING	1	93601-870009
48	HP UNLOADER PISTON	1	70152-12221
49	HP UNLOADER SPRING	1	70103-11230
50	COPPER WASHER	1	70152-12280
51	UNLOADER CYLINDER	1	70103-11210
52	HP UNLOADER ASS'Y	1	70152-12200
53	BOLT	3	91521-1308030

ITEM	DESCRIPTION	QTY	PART NO.
54	GASKET	1	70152-71612
55	INTERCOOLER	1	70152-71110
56	GASKET	1	70152-71622
57	INTERCOOLER COVER	1	70152-71160
58	SPRING WASHER	4	92522-130600
59	BOLT	4	91501-1306020-8.8
60	AIR FILTER BODY ASS'Y	1	70152-66011
61	MOUNTING SPRING PART ASS'Y	2	70153-66200
62	SELF-LOCK NUT	1	92517-230600
63	WASHER	1	92521-130600
64	FILTER ELEMENT & GASKET ASS'Y	1	70152-66141
65	AIR FILTER COVER	1	70152-66121
66	BOLT	1	70152-66160
67	GASKET	1	70152-66131
68	AIR FILTER ASS'Y	1	70152-66001
69	LP COMPRESSION RING	2	70152-61030
70	LP OIL RING	1	70152-61050
71	LP PISTON PIN	1	70152-61120
72	PIN LOCK	4	70152-61070
73	LP PISTON	1	70152-61010
74	LP CONNECTING ROD PISTON PIN BUSH	1	70152-61080
75	LP CONNECTING ROD ASSEMBLY	1	70152-61200
76	CONNECTING ROD SHAFT TILE	4	70152-61090
77	CRANKSHAFT	1	70152-56010
78	BOLT	4	70152-61250
79	SPRING WASHER	4	92522-130800
80	NUT	4	92501-230800
81	HP CONNECTING ROD PISTON PIN BUSH	1	70152-62080
82	HP CONNECTING ROD ASSEMBLY	1	70152-62200
83	HP PISTON	1	70152-62010
84	HP OIL RING	1	70152-62050
85	HP COMPRESSION RING	3	70152-62030
86	HP PISTON PIN	1	70152-62120
87	BREATHER ASS'Y	1	70103-57600-4024
88	KEY	1	70112-56060
89	FRONT BEARING COVER PACKING	1	70152-57950
90	FRONT BEARING COVER	1	70152-57030
91	FRONT OIL SEAL	1	70127-57080
92	COPPER WASHER	4	92521-190800
93	BOLT	4	91501-1308030
94	COMPRESSER PULLEY	1	70152-76010
95	WASHER	1	70112-76210
96	SPRING WASHER	1	92522-130800
97	BOLT	1	91501-1308025-8.8