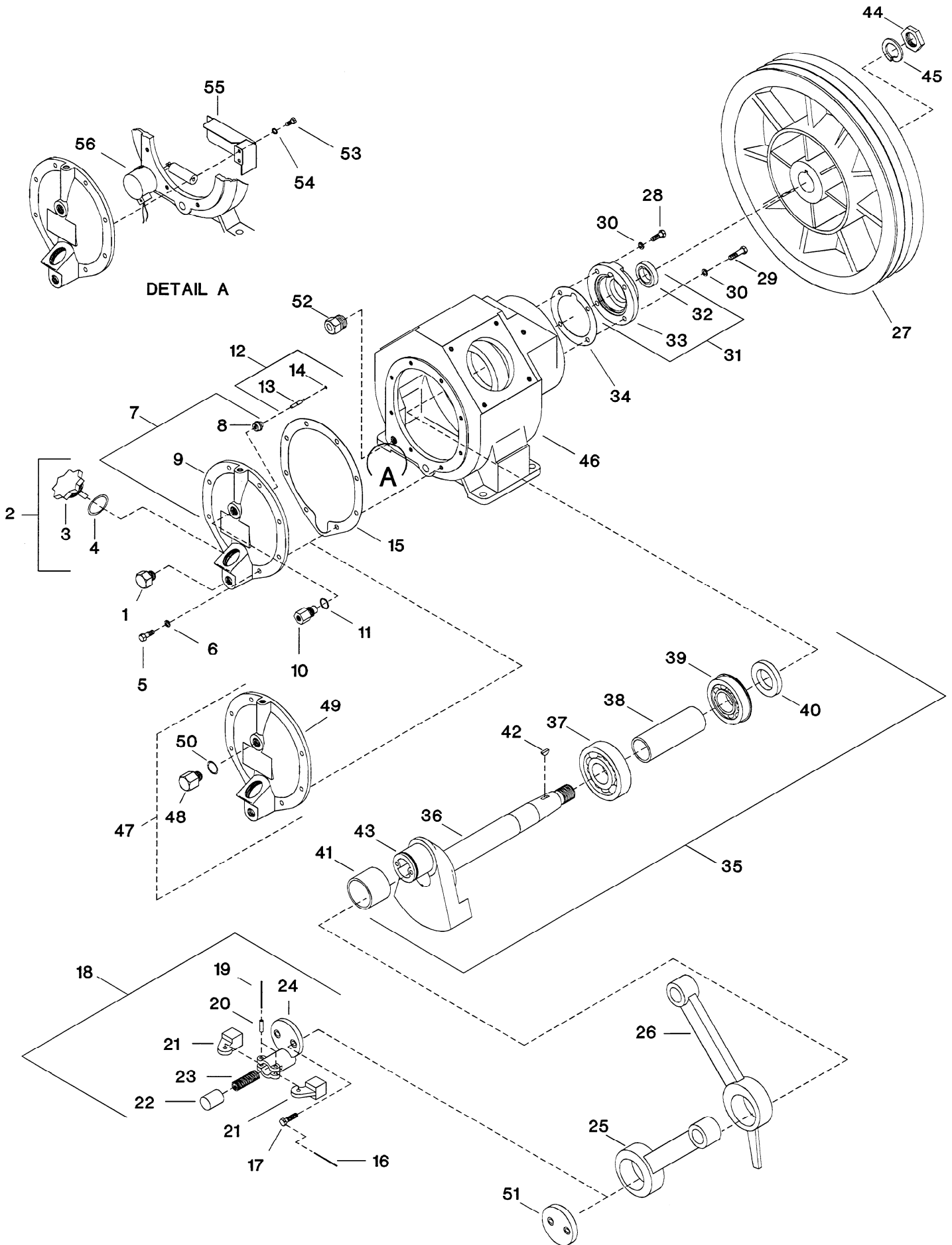
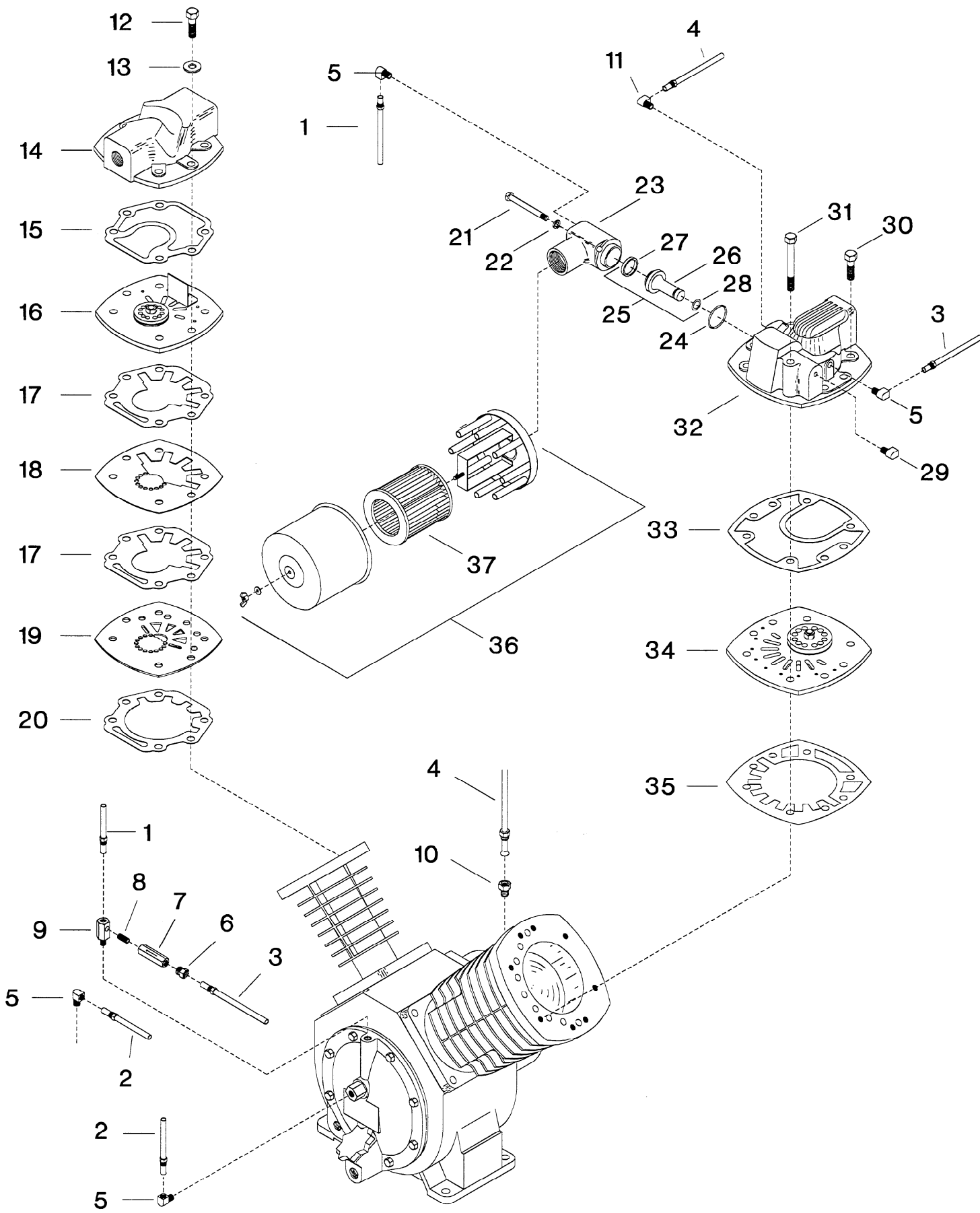


FIGURE 1. COMPRESSOR FRAME ASSEMBLY.



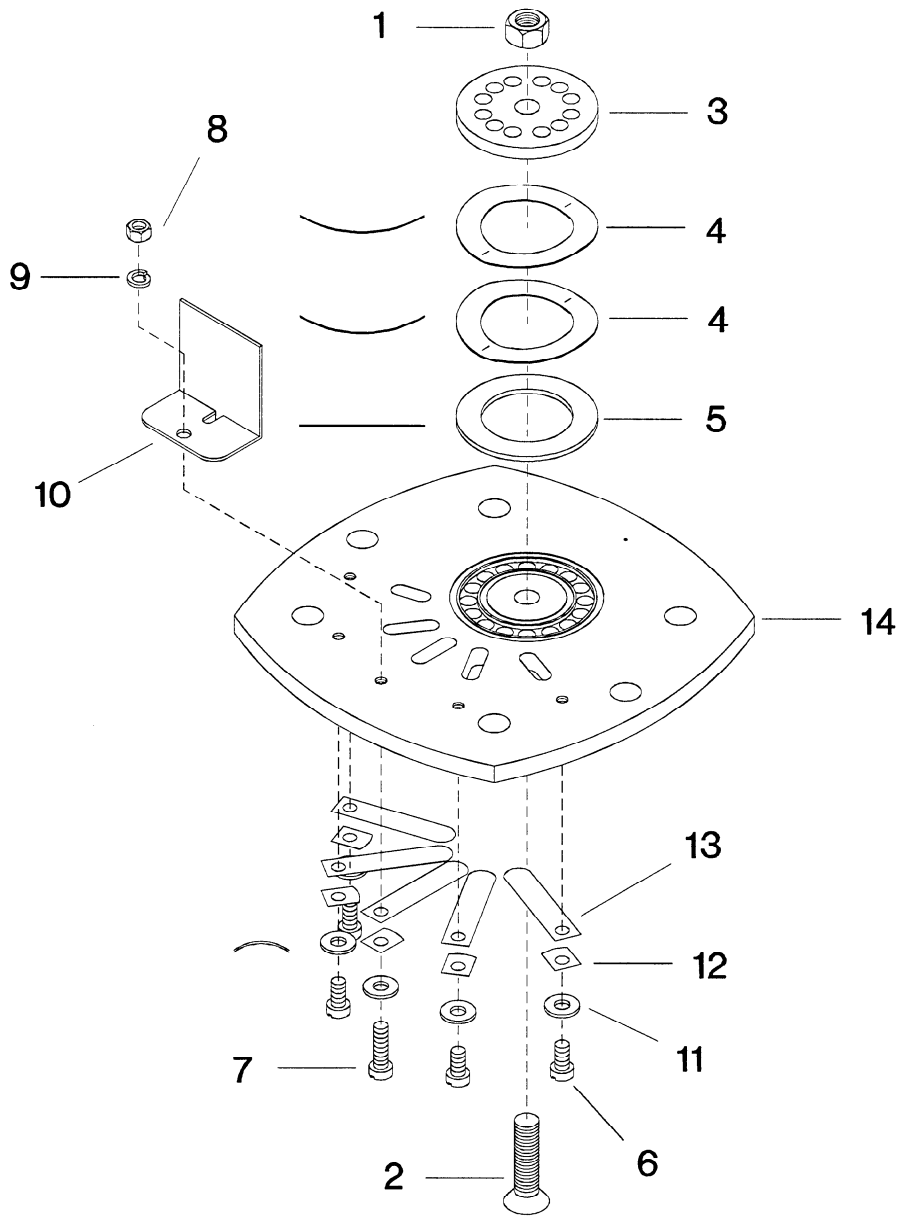
REF. NO.	PART NO.	DESCRIPTION	QTY.	SPARES		
				1	2	3
1-1	95344651	PLUG, PIPE - HEX HEAD 1/2"	1			
1-2	32195083	PLUG, OIL GAUGE - COMPLETE	1			
1-3	NSS	• PLUG, OIL GAUGE	1			
1-4	95022158	• O-RING - OIL GAUGE PLUG	1	1	1	2
1-5	95053146	CAPSCREW - HEX 3/8-16 X 7/8"	8			
1-6	95674677	GASKET, COPPER WASHER - 3/8"	8			
1-7	31246572	ASS'Y, FRAME END COVER (UNITS WITH CENTRIFUGAL UNLOADER)	1			
1-8	37128261	• BUSHING, PILOT VALVE	1			
1-9	NSS	• COVER, FRAME END	1			
1-10	37113701	VALVE, PILOT (IF SUPPLIED)	1		1	1
1-11	30346597	WASHER, COPPER	1			
1-12	32218406	ASS'Y, THRUST PIN (IF SUPPLIED)	1			
1-13	NSS	• PIN, THRUST	1			
1-14	95210225	• O-RING	1	1	1	2
1-15	30439277	GASKET, FRAME END COVER	1	1	1	2
1-16	90799289	LOCKWIRE - 12 GA X 5"	1			
1-17	95101929	CAPSCREW - HEX 3/8-16 X 1"	2			
1-18	30290936	ASS'Y, CRANKPIN CAP - CENTRIFUGAL UNLOADER (UNITS WITH CENTRIFUGAL UNLOADER)	1			
1-19	90799271	• LOCKWIRE - 12 GA X 5"	1			
1-20	30214951	• PIN, CENTRIFUGAL UNLOADER WEIGHT	2			
1-21	30220875	• WEIGHT, CENTRIFUGAL UNLOADER	2			
1-22	30285688	• PLUNGER, CENTRIFUGAL UNLOADER	1			
1-23	30672281	• SPRING, CENTRIFUGAL UNLOADER	1			1
1-24	30210322	• BODY, CRANKPIN CAP	1			
1-25	32003659	ROD, CONNECTING - FIRST STAGE LOW PRESSURE	1		1	1
1-26	30217327	ROD, CONNECTING - SECOND STAGE HIGH PRESSURE	1		1	1
1-27	32177206	WHEEL, V-BELT	1			
1-28	95053146	CAPSCREW - HEX 3/8-16 X 7/8"	2			
1-29	95043766	CAPSCREW - HEX 3/8-16 X 1-1/4"	2			
1-30	95674677	GASKET, COPPER WASHER - 3/8"	4			
1-31	37125333	ASS'Y, SHAFT END COVER	1			
1-32	32204588	• SEAL	1		1	2
1-33	NSS	• COVER, SHAFT END	1			
1-34	30295166	GASKET, SHAFT END COVER	1	1	1	2
1-35	30211627	ASS'Y, CRANKSHAFT - COMPLETE	1			
1-36	NSS	• ASS'Y, DISC AND SHAFT	1			
1-37	95305652	• BEARING, BALL	1			
1-38	30218432	• SPACER, MAIN BEARING	1			
1-39	95213971	• BEARING, BALL - WITH SNAP RING	1			
1-40	30216808	• RING, BEARING RETAINER	1			
1-41	37002375	• BUSHING, CRANKPIN	1			
1-42	95047437	• KEY, WOODRUFF	1			
1-43	32187684	• LOCTITE 609 - TUBE	.5 MIL			
1-44	30835698	NUT, V-BELT WHEEL	1			
1-45	95064747	LOCKWASHER, SPRING - 1-3/8"	1			
1-46	32270571	FRAME, COMPRESSOR	1			
1-47	97335749	ASS'Y, FRAME END COVER (UNITS WITHOUT CENTRIFUGAL UNLOADER)	1			
1-48	30221311	PLUG, FRAME END COVER	1			
1-49	NSS	• COVER, FRAME END	1			
1-50	30346597	WASHER, 7/8"	1			
1-51	30210348	CAP, CRANKPIN (UNITS WITHOUT CENTRIFUGAL UNLOADER)	1			
1-52	97334270	GLASS, OIL SIGHT (IF PROVIDED)	1			
		DETAIL A - LOW OIL LEVEL SWITCH (IF PROVIDED)				
1-53	95053070	CAPSCREW - HEX 1/4-20 X 1/2"	2			
1-54	95043196	LOCKWASHER, SPRING - 1/4"	2			
1-55	30285548	BAFFLE, LOW OIL LEVEL SWITCH	1			
1-56	32276313	SWITCH, LOW OIL LEVEL - NEMA 1	1			

FIGURE 2. MODEL 7100 BARE COMPRESSOR.



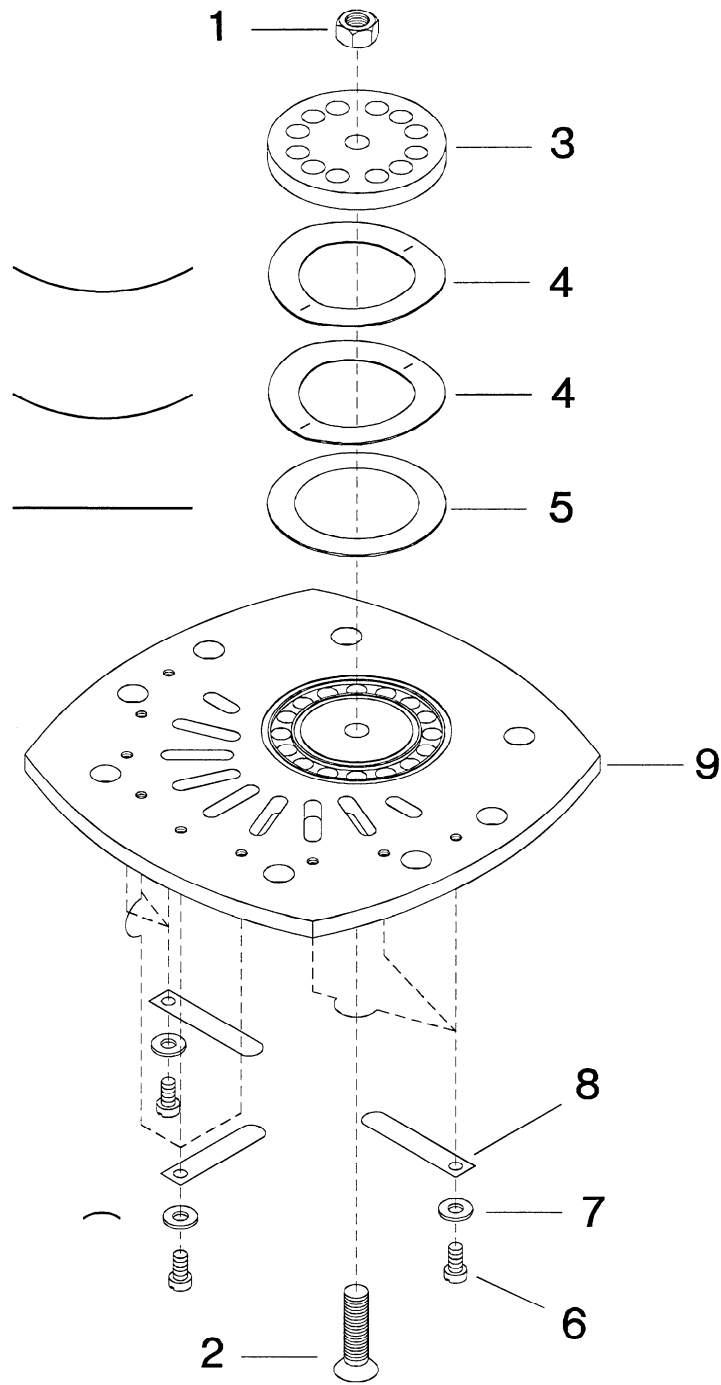
REF. NO.	PART NO.	DESCRIPTION	QTY.	SPARES		
				1	2	3
2-1	32203440	ASS'Y, TUBE - FRAME END COVER/UNLOADER COVER - 5/16" DIA. (IF SUPPLIED)	1			
2-2	32183717	ASS'Y, TUBE - PILOT VALVE/2ND STAGE MANIFOLD - 5/16" DIA. (IF SUPPLIED)	1			
2-3	32200529	ASS'Y, TUBE - CHECK VALVE/RIGHT-HAND HEAD - 5/16" DIA. (IF SUPPLIED)	1			
2-4	32200560	ASS'Y, TUBE - BREATHER - 3/8" DIA.	1			
2-5	95110441	ELBOW, TUBE - 5/16 X 1/4" (IF SUPPLIED)	4			
2-6	95082483	CONNECTOR, TUBE - 5/16 X 1/8" (IF SUPPLIED)	1			
2-7	32001141	VALVE, CHECK (IF SUPPLIED)	1			
2-8	95796017	NIPPLE, CLOSE - 1/8 X 3/4" (IF SUPPLIED)	1			
2-9	32203242	CONNECTOR, TUBE - 5/16 X 1/4" MALE LONG (IF SUPPLIED)	1			
2-10	95083143	CONNECTOR, MALE - 3/8 X 1/4"	1			
2-11	95040143	ELBOW, TUBE - 3/8 X 1/4"	1			
2-12	95104196	CAPSCREW - HEX 1/2-13 X 2"	6			
2-13	32060006	WASHER, FLAT - 1/2"	6			
2-14	32172199	HEAD, SECOND STAGE - HIGH PRESSURE	1			
2-15	32252801	GASKET, HEAD - SECOND STAGE	1	1	1	2
2-16	32228322	ASS'Y, VALVE PLATE - SECOND STAGE (SEE FIG. 3, PAGE 8)	1		1	2
2-17	32252819	GASKET, SPACER PLATE - SECOND STAGE	2	2	2	4
2-18	32228280	PLATE, SPACER - SECOND STAGE	1			
2-19	32228272	PLATE, DISC - SECOND STAGE	1			
2-20	32252827	GASKET, VALVE PLATE - SECOND STAGE	1	1	1	2
2-21	95035259	CAPSCREW - HEX 5/16-18 X 3-3/4"	2			
2-22	95043188	LOCKWASHER, SPRING - 5/16"	2			
2-23	32174336	COVER, UNLOADER	1			
2-24	95026183	O-RING	1	1	1	2
2-25	32256257	ASS'Y, UNLOADER PISTON (IF SUPPLIED)	1			
2-26	NSS	• PISTON, UNLOADER	1	1	1	2
2-27	32254740	• SEAL, UNLOADER PISTON	1	2	2	4
2-28	32188385	• O-RING, UNLOADER PISTON	1	2	2	4
2-29	32256356	ELBOW, ORIFICE - UNLOADER (IF SUPPLIED)	1			
2-30	95104188	CAPSCREW - HEX 1/2-13 X 1-3/4"	7			
2-31	95104279	CAPSCREW - HEX 1/2-13 X 4-1/4"	1			
2-32	32172207	HEAD, FIRST STAGE - LOW PRESSURE	1			
2-33	32172926	GASKET, HEAD - FIRST STAGE	1	1	1	2
2-34	32228330	ASS'Y, VALVE PLATE - FIRST STAGE (SEE FIG. 4, PAGE 9)	1		1	2
2-35	32172942	GASKET, VALVE PLATE - FIRST STAGE	1	1	1	2
2-36	32109779	FILTER, INLET - COMPLETE	1			
2-37	32012957	• ELEMENT, FILTER - 10 MICRON	1	2	2	2

FIGURE 3. SECOND STAGE (HIGH PRESSURE) VALVE PLATE ASSEMBLY.



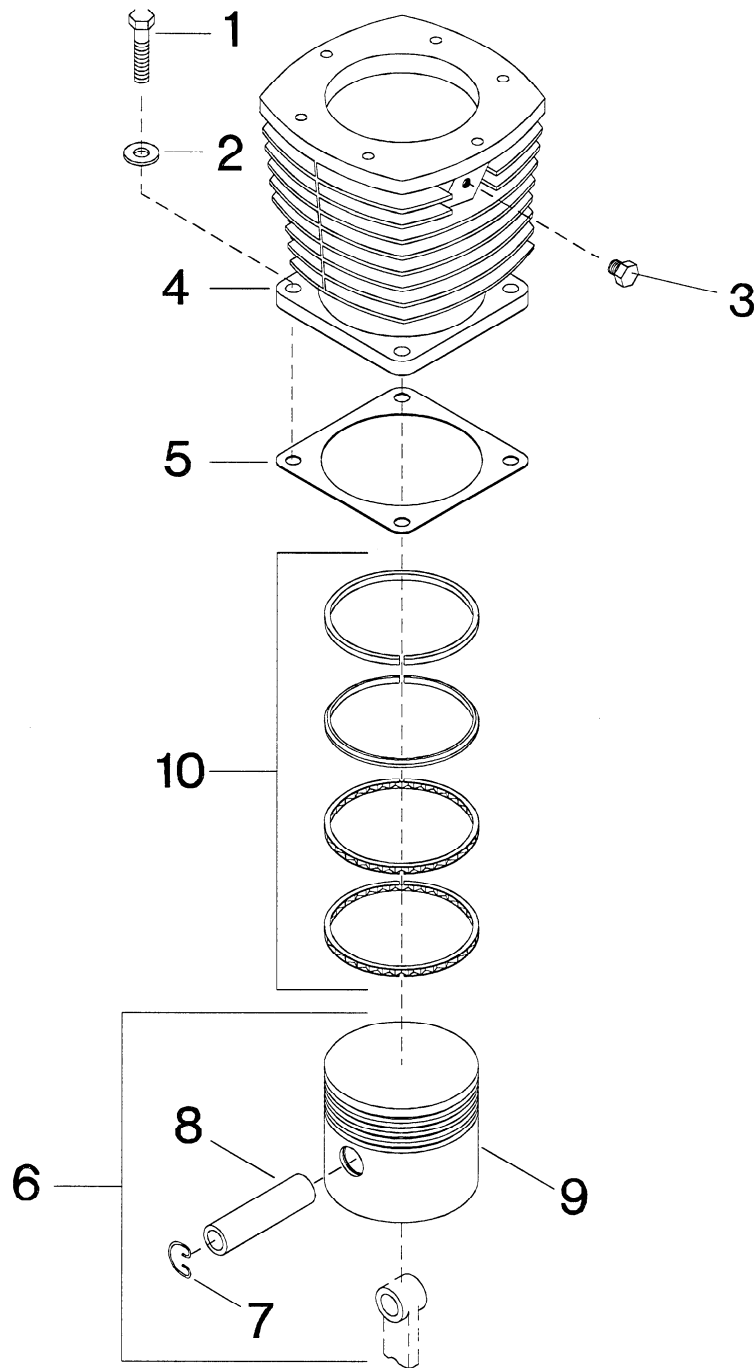
REF. NO.	PART NO.	DESCRIPTION	QTY.	SPARES		
				1	2	3
REF.	32228322	ASS'Y, SECOND STAGE VALVE PLATE (SEE 2-16)	1		1	2
3-1	97166946	• NUT, WHIZ-LOCK - 7/16-14 HEX	1	1	1	1
3-2	32223927	• BOLT, VALVE	1	1	1	1
3-3	32228264	• PLATE, STOP - DISCHARGE	1			
3-4	30221394	• SPRING, VALVE - DISCHARGE	2	2	2	2
3-5	30215917	• PLATE, VALVE - DISCHARGE	1	1	1	1
3-6	32035511	• SCREW, FILLISTER HEAD - 1/4-20 X 3/8"	4	4	4	4
3-7	32224008	• SCREW, MACHINE - FILLISTER HEAD - 1/4-20 X 3/4"	1	1	1	1
3-8	95416335	• NUT, HEX - 1/4-20	1	1	1	1
3-9	32035479	• LOCKWASHER, SPRING - 1/4"	1	1	1	1
3-10	32223919	• DIFFUSER, VALVE PLATE	1			
3-11	32217382	• WASHER, BELLEVILLE - 1/4"	5	5	5	5
3-12	32228306	• RETAINER, FINGER VALVE	5	5	5	5
3-13	30220115	• VALVE, FINGER	5	5	5	5
3-14	32228256	• PLATE, VALVE SEAT	1			

FIGURE 4. FIRST STAGE (LOW PRESSURE) VALVE PLATE ASSEMBLY.



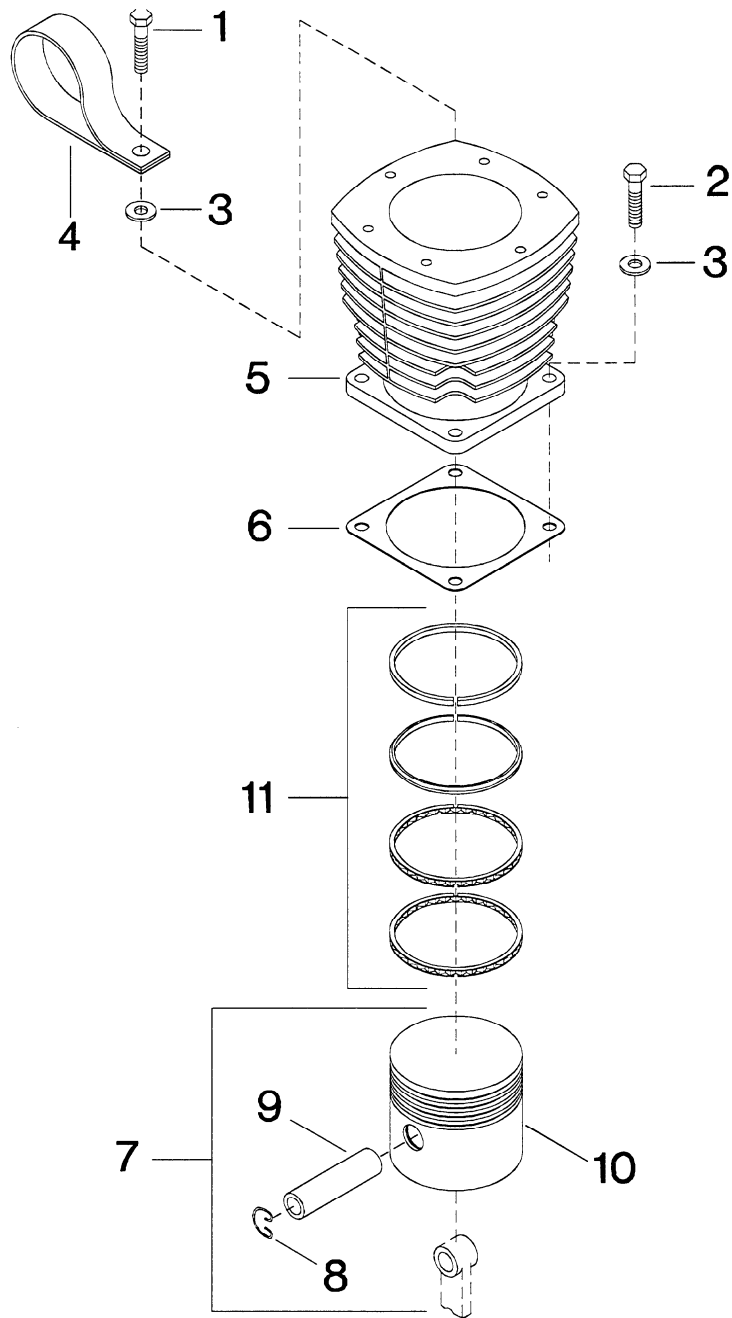
REF. NO.	PART NO.	DESCRIPTION	QTY.	SPARES		
				1	2	3
REF.	32228330	ASS'Y, FIRST STAGE VALVE PLATE (SEE 2-34)	1		1	2
4-1	97166946	• NUT, WHIZ-LOCK - 7/16-14 HEX	1	1	2	2
4-2	32223927	• BOLT, VALVE	1	1	2	2
4-3	32228314	• PLATE, STOP - DISCHARGE	1			
4-4	30221501	• SPRING, VALVE - DISCHARGE	2	2	4	4
4-5	30181499	• PLATE, VALVE - DISCHARGE	1	1	2	2
4-6	32035511	• SCREW, FILLISTER HEAD - 1/4-20 X 3/8"	9	9	9	18
4-7	32217382	• WASHER, BELLEVILLE - 1/4"	9	9	9	18
4-8	30220115	• VALVE, FINGER	9	9	9	18
4-9	32228249	• PLATE, VALVE SEAT	1			

FIGURE 5. SECOND STAGE (HIGH PRESSURE) CYLINDER & PISTON.



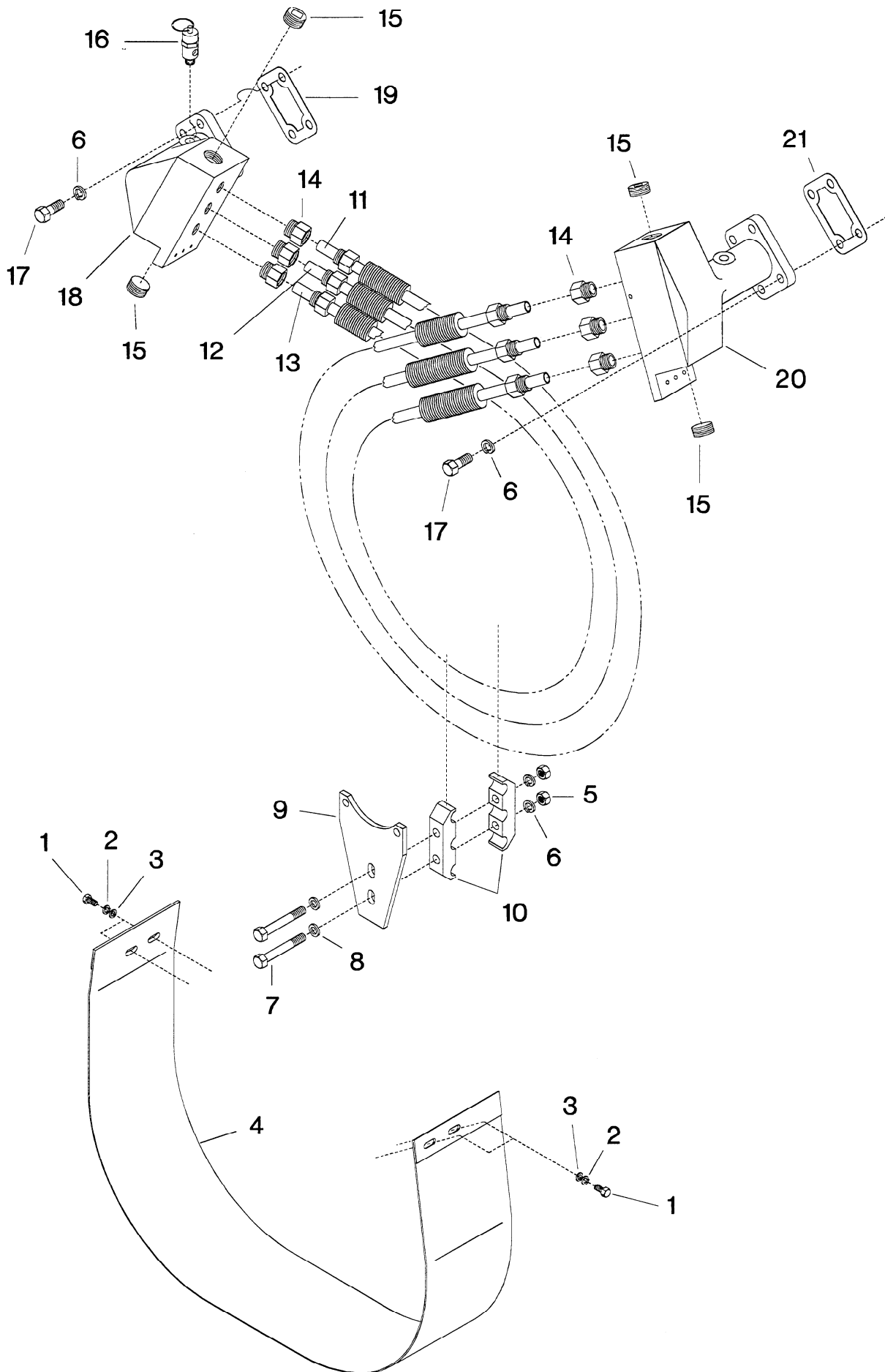
REF. NO.	PART NO.	DESCRIPTION	QTY.	SPARES		
				1	2	3
5-1	95053567	CAPSCREW, HEX HEAD - 1/2-13 X 1-1/4"	4			
5-2	95674701	GASKET, COPPER WASHER - 1/2"	4			
5-3	95252409	PLUG, PIPE - HEX HEAD - 1/4"	1			
5-4	32174997	CYLINDER, AIR - SECOND STAGE	1			
5-5	30294235	GASKET, FLANGE	1	1	1	2
5-6	32223752	PISTON, AIR - SECOND STAGE - COMPLETE	1		1	1
5-7	30288450	• RING, LOCK	2			
5-8	32220592	• PIN, PISTON	1			
5-9	NSS	• PISTON, AIR - 3 INCH	1			
5-10	32194276	SET, RING - 3 INCH	1	1	1	2

FIGURE 6. FIRST STAGE (LOW PRESSURE) CYLINDER & PISTON.



REF. NO.	PART NO.	DESCRIPTION	QTY.	SPARES		
				1	2	3
6-1	95052924	CAPSCREW, HEX HEAD - 1/2-13X1-1/2"	1			
6-2	95053567	CAPSCREW, HEX HEAD - 1/2-13X1-1/4"	3			
6-3	95674701	GASKET, COPPER WASHER - 1/2"	4			
6-4	30289748	STRAP, LIFTING	1			
6-5	32172157	CYLINDER, AIR - FIRST STAGE	1			
6-6	30294235	GASKET, FLANGE	1	1	1	2
6-7	30215222	PISTON, AIR - FIRST STAGE - COMPLETE	1		1	1
6-8	30288450	• RING, LOCK	2			
6-9	30288427	• PIN, PISTON	1			
6-10	NSS	• PISTON, AIR - 5-1/2 INCH	1			
6-11	32194144	SET, RING - 5-1/2 INCH	1	1	1	2

FIGURE 7. INTERCOOLER & SHROUD ASSEMBLY.



REF. NO.	PART NO.	DESCRIPTION	QTY.	SPARES		
				1	2	3
7-1	95053070	CAPSCREW, HEX HEAD-1/4-20X1/2" (IF PROVIDED)	4			
7-2	95043196	LOCKWASHER, SPRING - 1/4" (IF PROVIDED)	4			
7-3	95094298	WASHER, FLAT - 1/4" (IF PROVIDED)	4			
7-4	32205361	SHROUD, INTERCOOLER (IF PROVIDED)	1			
7-5	95077764	NUT, HEX - 3/8-16	2			
7-6	95081857	LOCKWASHER, SPRING - 3/8"	10			
7-7	95079646	CAPSCREW, HEX HEAD - 3/8-16X2-1/2"	2			
7-8	95069597	WASHER, FLAT - 3/8"	2			
7-9	32175010	BRACKET, INTERCOOLER	1			
7-10	32165367	CLAMP, INTERCOOLER TUBE - OUTER	2			
7-11	32196941	ASS'Y, INTERCOOLER TUBE - FINNED - #3	1		1	2
7-12	32196933	ASS'Y, INTERCOOLER TUBE - FINNED - #2	1		1	2
7-13	32196925	ASS'Y, INTERCOOLER TUBE - FINNED - #1	1		1	2
7-14	95083226	CONNECTOR, MALE - 5/8 X 1/2"	6			
7-15	95101457	PLUG, PIPE - SQUARE COUNTERSUNK - 1"	4			
7-16	72062185	VALVE, RELIEF - 80 PSIG	2			2
7-17	95079612	CAPSCREW, HEX HEAD - 3/8-16X1"	8			
7-18	32177313	MANIFOLD, INTERCOOLER - LOW PRESSURE	1			
7-19	32153801	GASKET, MANIFOLD - LOW PRESSURE	2	1	1	2
7-20	32177347	MANIFOLD, INTERCOOLER - HIGH PRESSURE	1			
7-21	32153827	GASKET, MANIFOLD - HIGH PRESSURE	1	1	1	2

(This page intentionally left blank)