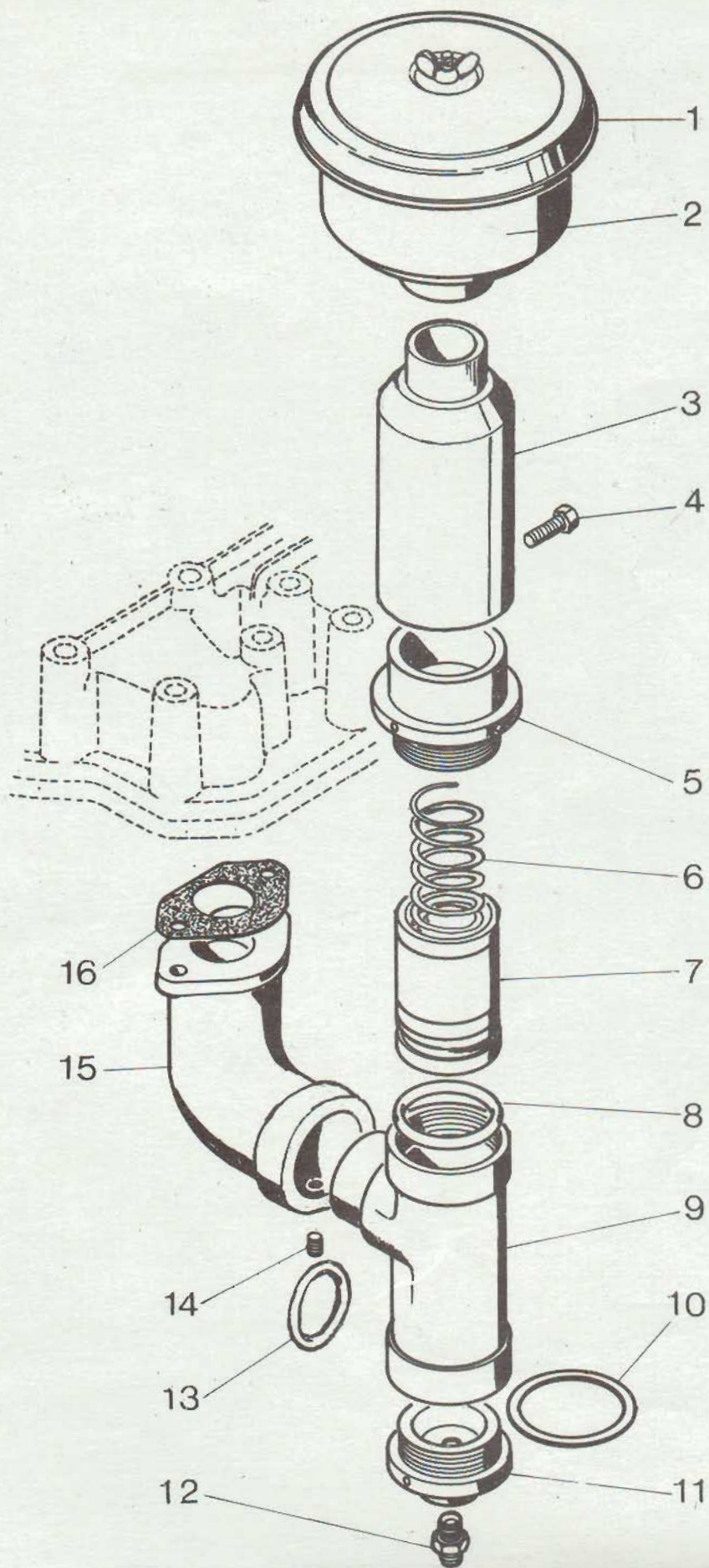


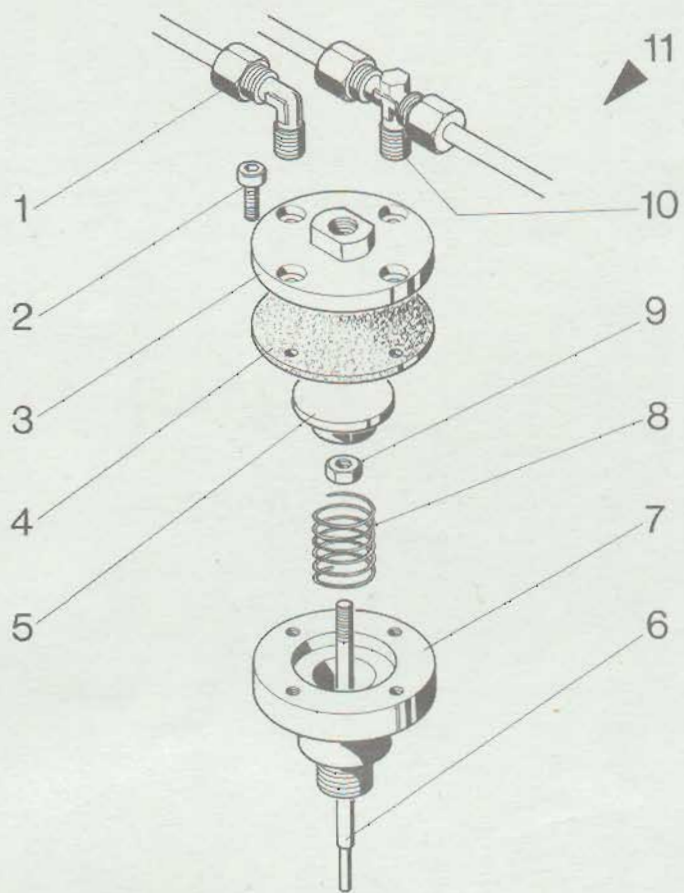
VARIANTE SEPARATORE

Ref. No.	ORDER No.	DESCRIPTION	No.
1	45048	Casing	1
2	633250	OR 119 Sealing ring on plug	1
3	42647	Cap side opposite flywheel	1
4	95193	Assembly gasket and blade valve	1
5	95221	Assembly screws, bolts, etc. according to drwg	1
6	44257	Assembly plug and oil level dipstick	1
7	44784	Cylinders block - ϕ 110/60	1
8	45066	Valve housing plate	1
9	45076	Blade valves for low pressure (long)	2
10	45077	Blade valves for low pressure (medium)	2
11	45078	Blade valves for high pressure (short)	2
12	45065	Counterplate	1
13	42412	Head (for F.V. 45792)	1
14	953433	1/4" Safety valve	1
15	620719	Set elastic rings for L.P. ϕ 110-normal	1
15a	620792	Set elastic rings for L.P. ϕ 110-oversized 2/10	1
15b	620793	Set elastic rings for L.P. ϕ 110-oversized 5/10	1
15c	620794	Set elastic rings for L.P. ϕ 110-oversized 10/10	1
16	620151	L.P. piston ϕ 110 - normal	1
16a	620152	L.P. piston ϕ 110 - oversized 2/10	1
16b	620153	L.P. piston ϕ 110 - oversized 5/10	1
16c	620154	L.P. piston ϕ 110 - oversized 10/10	1
17	620219	Gudgeon pin for L.P. piston	1
18	730109	Stop rings for piston	4
19	620724	Set elastic rings for H.P. ϕ 60-normal	1
19a	620773	Set elastic rings for H.P. ϕ 60-oversized 2/10	1
19b	620774	Set elastic rings for H.P. ϕ 60-oversized 5/10	1
19c	620775	Set elastic rings for H.P. ϕ 60-oversized 10/10	1
20	44781	H.P. piston ϕ 60 - normal	1
20a	44781/1	H.P. piston ϕ 60 - oversized 2/10	1
20b	44781/2	H.P. piston ϕ 60 - oversized 5/10	1
20c	44781/3	H.P. piston ϕ 60 - oversized 10/10	1
21	620229	Gudgeon pin for H.P. piston	1
22	45420	Bushing for connecting rod small end	2
23	95146	Assembly connecting rod H.L.P. for thin shell bushing	2
24	95147	Set of screws and nuts for connecting rod	2
25	45146	Assembly oil splash rod	2
26	620314	Bushing for connecting rod big end - normal	2
26a	620316	Bushing for connecting rod big end-undersiz.2/10	2
26b	620318	Bushing for connecting rod big end-unders.10/10	2
27	46909	Flywheel - present production	1
28	46797	Flywheel-stop washer	1

Ref. No.	ORDER No.	DESCRIPTION	No.
28a	46798	Safety washer	1
28b	710162	Screw M12x40 TE for flywheel	1
29	95118	Assembly gasket and head blades	1
30	43191	Flange on delivery	1
31	641111	Filter cartridge	1
32	42408	Assembly intake filter	1
33	640303	Intake filter cap	1
34	42669	Assembly intercooler (133265)	1
35	45049	Cap flywheel side V.T. suitable for bearing 30	1
	45049	Cap flywheel side 2nd type for bearing and spacing ring	1
	45049	Cap flywheel side 3rd type for bearing 20 wide	1
36	633316	Sealing ring on shaft	1
37	570406	Bearings for shaft	2
37a	570701	Bearing for shaft flywheel side (VT 30 wide)	1
38	46038	Spacing ring for bearing flywheel side	1
39	45617	Crankshaft	1
40	900610	Drain valve separator	1
41	42968	Copper pipe for connection to receiver	1
42	724001	3/4" union for copper pipe	1
43	950834	3/4" check valve	1
44	44066	Moisture trap	1
45	759931	3/4" fitting for copper pipe	1
	95213	Set screws, nuts, etc. according to UNI tables:	
		Screw TE M8x20	710109 6
		Screw TE M12x40	710162 1
		Screw TE M8x100	710172 6
		Screw TE M8x108	710175 6
		Screw TCCE M6x10	710412 2
		Flat washer ϕ 6.4x12 UNI 6592	722102 1
		Flat washer ϕ 8.4x17 UNI 6592	722104 24
		Flat washer ϕ 10.5x21 UNI 6592	722105 6
		Elastic washer 10 UNI 3703	722507 6
		Elastic washer 12 UNI 3703	722509 7
		M6 Wing nut 5448	540222 1
		M8 UNI 5587 Nut	723103 12
		M10 UNI 5587 Nut	723104 6
		M12 UNI 5587 Nut	723112 7
		Flywheel stop 10x8x40 UNI 6604	732120 1
<p>NOTE: For the compressors which have been manufactured before the month of October 1974 it is necessary to add the aluminium gasket ref. 630838 (drwg 45079) between plate and counterplate.</p>			



Ref. No.	ORDER No.	DESCRIPTION	No.
1	640101	Oil bath intake filter (only for idling operation device)	1
2	640531	Filter cartridge	1
3	46781	Extension connection (with \emptyset 38 filter connect.)	1
4	710104	TE M6x12 UNI 5739 Screw	1
5	1480	Upper plug for 4108	1
5/a	44062	Upper plug for 4206 - 4306 (4208)	1
6	580220	Spring for 4108	1
6/a	580215	Spring for 4206 - 4306 (4208)	1
7	6305	Piston for 4108	1
7/a	2094	Piston for 4206 - 4306 (4208)	1
8	633208	OR 131 Ring - piston for 4108	1
8/a	633210	OR 142 Ring - piston for 4306 (4308)	1
9	1479	Body of idling operation device for 4108	1
9/a	2092	Body of idling operation device for 4206 - 4306 (4208)	1
10	631323	Gasket for lower plug for 4108	1
10/a	8117	Gasket for lower plug for 4206 - 4306	1
11	1481	Lower plug for 4108	1
11/a	2095	Lower plug for 4206 - 4306 (4208)	1
12	1497	1/4" nipples	1
13	633209	OR 132 Ring - connection idling operation device for 4108	1
14	710616	CE M6x8 - UNI 5923 Screw	1
15	43663	Idling operation device housing pipe - for 4108	1
15/a	43662	Idling operation device housing pipe - for 4206 - 4306	1
16	630582	Gasket between pipe and head	1
	44265	Assembly idling operation device (ref. 5 - 6 - 7 - 8 - 9 - 10 - 11 - 13 - 14 - 15)	1



Ref. No.	ORDER No.	DESCRIPTION	
1	750258	Elbow REL 6x1/8"	1
2	710466	Screw TCCE M4x12 - UNI 5931	4
3	45669	Cap of idling operation device	1
4	45671	Diaphragms	1
5	45672	Washer	1
6		Valve control rod for 5106	
6/a	45686	Valve control rod for 5308	
6/b	45783	Valve control rod for 4206	
6/c	45794	Valve control rod for 4306	
6/d	45678	Valve control rod (for 5108)	1
6/e	45673	Valve control rod (for 5208)	1
6/f	45686	Valve control rod (for 5308)	1
6/g	45701	Valve control rod (for 5408)	1
6/h	45722	Valve control rod (for 4108)	1
6/i	45783	Valve control rod (for 4208)	1
6/l	45794	Valve control rod (for 4306)	1
7	45670	Body of idling operation device	1
8	580131	Spring	1
9	723120	Nut M5 - UNI 5589	1
10	750323	T shaped connection - RET - 6x1/2	1
11		Complete assembly idling operation device for model 5106	1
11/a	45667	Complete assembly idl.oper.device for 5308	2
11/b	45780	Complete assembly idl.oper.device for 4206	2
11/c	45791	Complete assembly idl.oper.device for 4306	2
11/d	45665	Complete assembly idl.oper.device for 5108	1
11/e	45666	Complete assembly idl.oper.device for 5208	2
11/f	45667	Complete assembly idl.oper.device for 5308	2
11/g	45668	Complete assembly idl.oper.device for 5408	2
11/h	45715	Complete assembly idl.oper.device for 4108	2
11/i	45780	Complete assembly idl.oper.device for 4208	2
11/l	45791	Complete assembly idl.oper.device for 4306	2