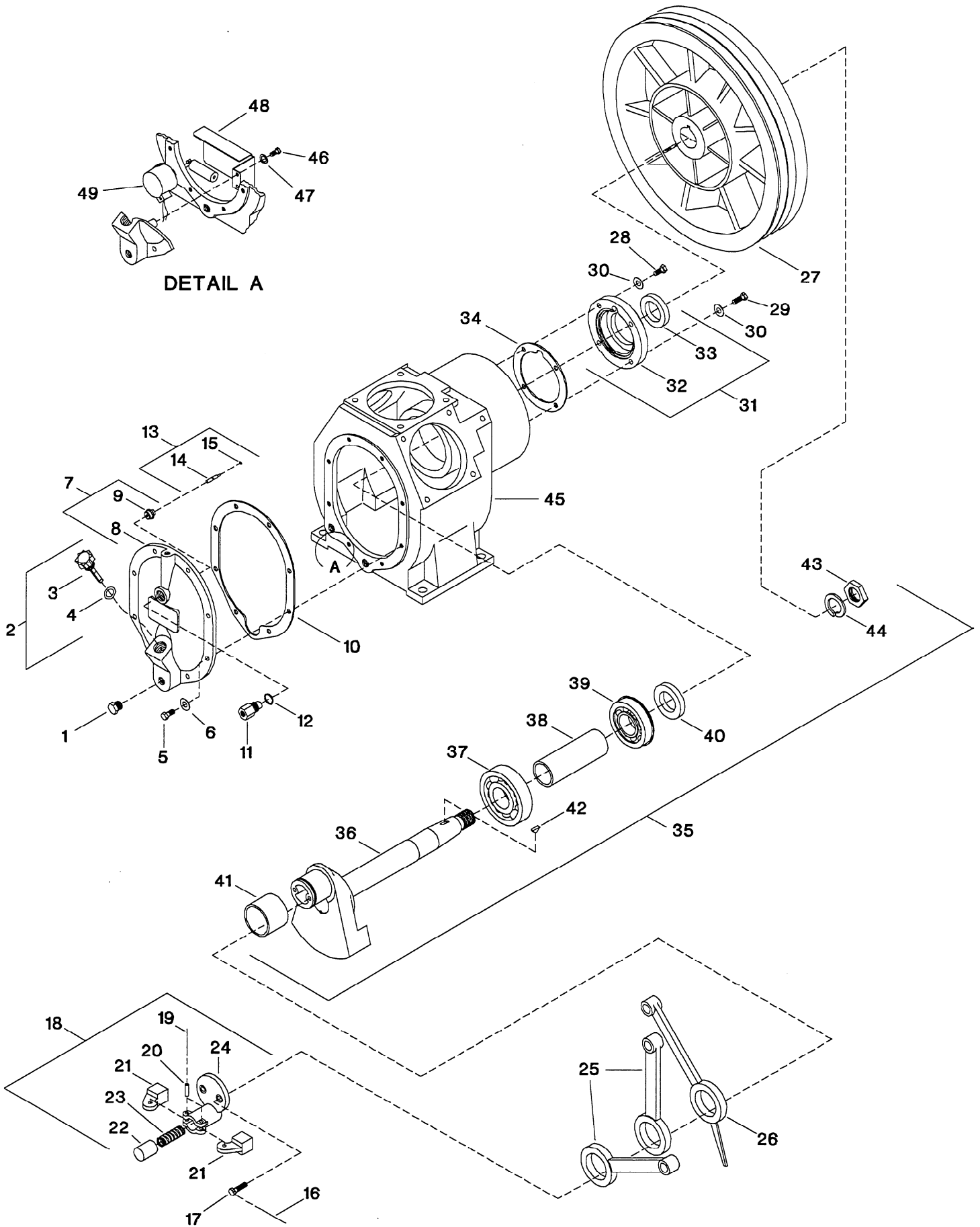
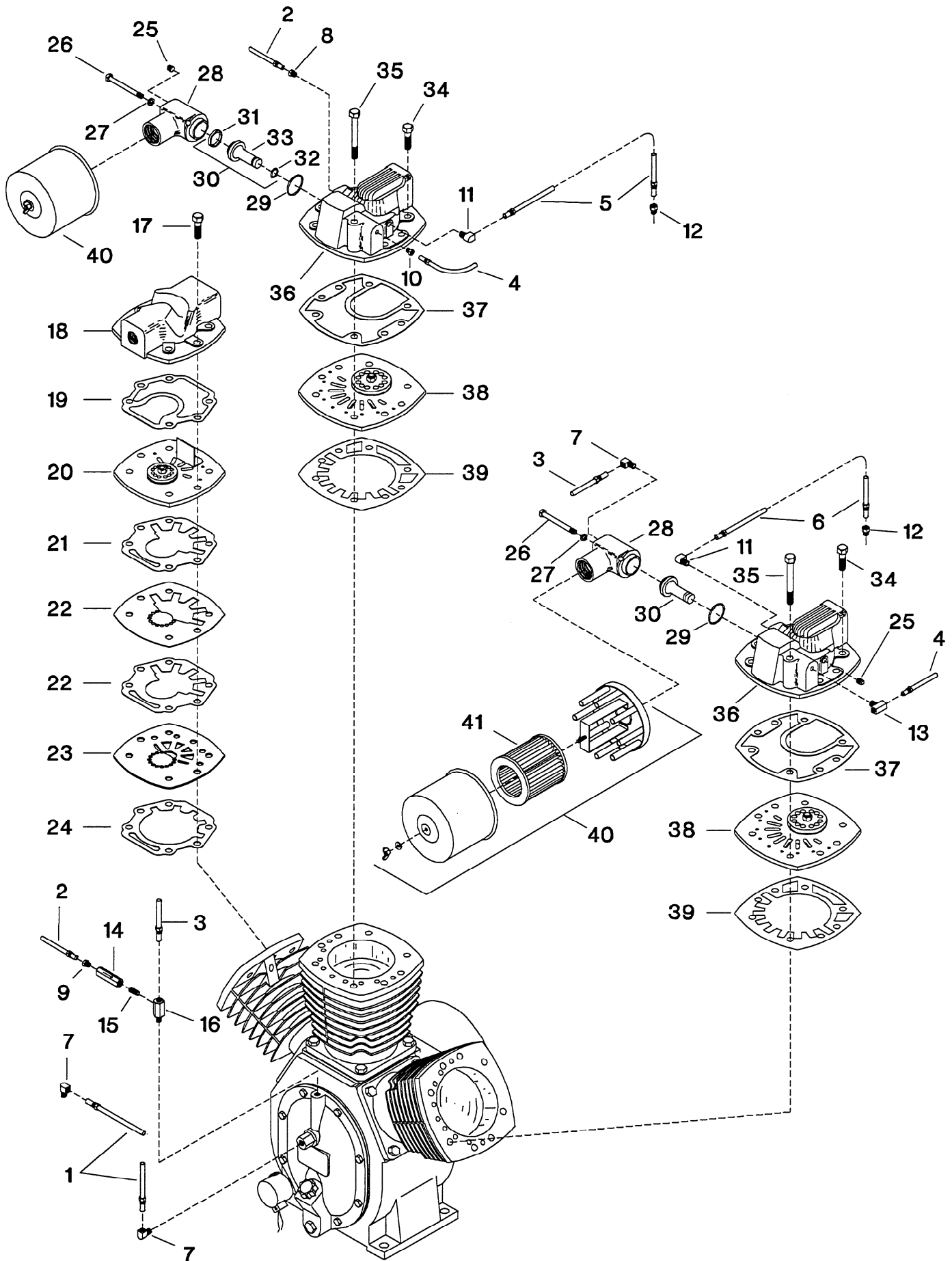


FIGURE 1. COMPRESSOR FRAME ASSEMBLY.



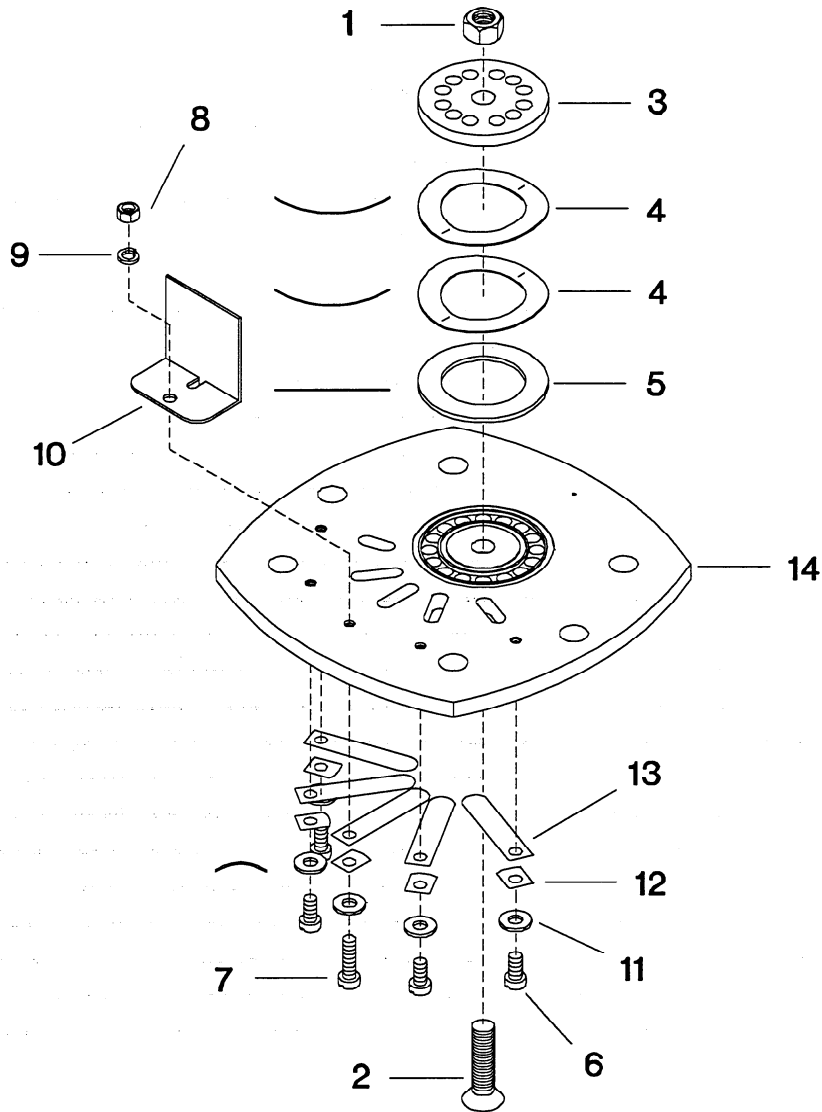
REF. NO.	PART NO.	DESCRIPTION	QTY.	SPARES		
				1	2	3
1-1	95344651	PLUG, OIL DRAIN	1			
1-2	30289003	PLUG, OIL FILL - COMPLETE	1			
1-3	NSS	● PLUG, OIL FILL	1			
1-4	95022158	● O-RING, OIL FILL PLUG	1	1	1	2
1-5	95035333	CAPSCREW, HEX - 3/8-16 X 1"	8			
1-6	95674677	WASHER, COPPER - 3/8"	8			
1-7	37128089	ASSEMBLY, FRAME END COVER	1			
1-8	NSS	● COVER, FRAME END	1			
1-9	37128261	● BUSHING, PILOT VALVE	1			
1-10	30439285	GASKET, FRAME END COVER	1	1	1	2
1-11	37113701	VALVE, PILOT	1		1	1
1-12	30346597	WASHER, COPPER	1			
1-13	32218406	ASSEMBLY, THRUST PIN	1			
1-14	NSS	● PIN, THRUST	1			
1-15	95022695	● O-RING	1	1	1	2
1-16	90799289	LOCKWIRE - 12 GA X 5"	1			
1-17	95101929	CAPSCREW - HEX 3/8-16 X 1"	2			
1-18	30290936	ASSEMBLY, CRANKPIN CAP - CENTRIFUGAL UNLOADER	1			
1-19	90799271	● LOCKWIRE - 12 GA X 5"	1			
1-20	30214951	● PIN, CENTRIFUGAL UNLOADER WEIGHT	2			
1-21	30220875	● WEIGHT, CENTRIFUGAL UNLOADER	2			
1-22	30285688	● PLUNGER, CENTRIFUGAL UNLOADER	1			
1-23	30672281	● SPRING, CENTRIFUGAL UNLOADER	1			1
1-24	30210322	● BODY, CRANKPIN CAP	1			
1-25	32003659	ROD, CONNECTING - FIRST STAGE (LOW PRESSURE)	2		2	2
1-26	32003642	ROD, CONNECTING - SECOND STAGE (HIGH PRESSURE)	1		1	1
1-27	32177180	BELTWHEEL	1			
1-28	95035333	CAPSCREW - HEX 3/8-16 X 1"	2			
1-29	95043766	CAPSCREW - HEX 3/8-16 X 1-1/4"	2			
1-30	95674677	WASHER, COPPER - 3/8"	4			
1-31	32499881	ASSEMBLY, CRANKSHAFT END COVER	1			
1-32	NSS	● COVER, CRANKSHAFT END	1			
1-33	32498958	● SEAL, OIL	1		1	2
1-34	30294961	GASKET, CRANKSHAFT END COVER	1	1	1	2
1-35	32310054	ASSEMBLY, CRANKSHAFT - COMPLETE	1			
1-36	NSS	● ASSEMBLY, DISC AND CRANKSHAFT	1			
1-37	32295701	● BEARING, BALL	1			
1-38	30218457	● SPACER, MAIN BEARING	1			
1-39	95305645	● BEARING, BALL - WITH SNAP RING	1			
1-40	30216824	● RING, BEARING RETAINER	1			
1-41	32295875	● BUSHING, CRANKPIN	1			
1-42	95083721	● KEY, WOODRUFF	1			
1-43	30287668	● NUT, BELTWHEEL	1			
1-44	95265690	● LOCKWASHER, SPRING - 1-3/8"	1			
1-45	32270621	FRAME, COMPRESSOR	1			
<b>DETAIL A - LOW OIL LEVEL SWITCH</b>						
1-46	95053070	CAPSCREW - HEX 1/4-20 X 1/2"	2			
1-47	95043196	LOCKWASHER, SPRING - 1/4"	2			
1-48	32304347	BAFFLE, LOW OIL LEVEL SWITCH	1			
1-49	32201527	SWITCH, LOW OIL LEVEL - NEMA 1	1			

FIGURE 2. MODEL 3000 BARE COMPRESSOR.



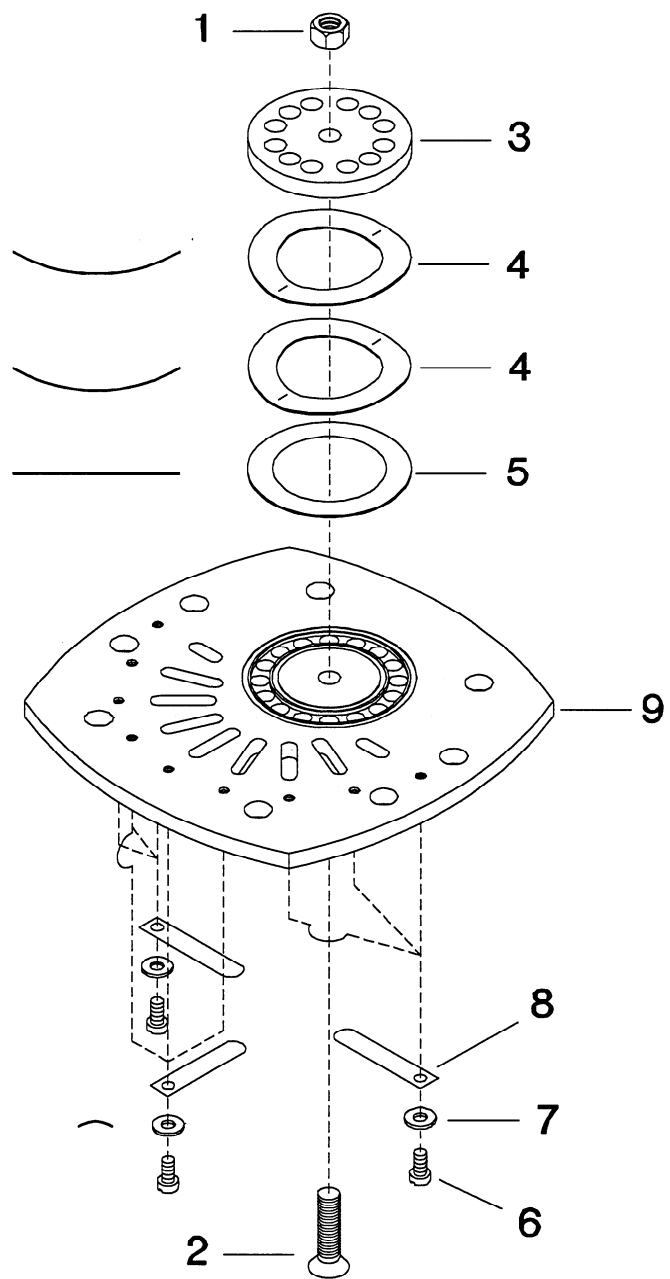
REF. NO.	PART NO.	DESCRIPTION	QTY.	SPARES		
				1	2	3
2-1	32172751	ASSEMBLY, TUBE - PILOT VALVE/INTERCOOLER - 5/16" DIAMETER	1			
2-2	32200503	ASSEMBLY, TUBE - CHECK VALVE/CENTER HEAD - 5/16" DIAMETER	1			
2-3	32203432	ASSEMBLY, TUBE - CHECK VALVE/RIGHT-HAND HEAD - 5/16" DIAMETER	1			
2-4	32183303	ASSEMBLY, TUBE - CENTER HEAD/TEE - 5/16" DIAMETER	1			
2-5	32176695	ASSEMBLY, TUBE - BREATHER/CENTER HEAD - 3/8" DIAMETER	1			
2-6	32172777	ASSEMBLY, TUBE - BREATHER/RIGHT-HAND HEAD - 3/8" DIAMETER	1			
2-7	95110441	ELBOW, TUBE - 5/16 X 1/4"	3			
2-8	32157554	CONNECTOR, MALE - 5/16 X 1/4"	1			
2-9	95082483	CONNECTOR, TUBE - 5/16 X 1/8"	1			
2-10	37144508	ORIFICE, CONNECTOR - TUBE	1			
2-11	95040143	ELBOW, TUBE - 3/8 X 1/4"	2			
2-12	95083143	CONNECTOR, MALE - 3/8 X 1/4"	2			
2-13	32255721	TEE, UNLOADER ORIFICE	1			
2-14	32001141	VALVE, CHECK	1			
2-15	95796017	NIPPLE, CLOSE - 1/8 X 3/4"	1			
2-16	32203242	CONNECTOR, TUBE - 5/16 X 1/4" MALE LONG	1			
2-17	95104196	CAPSCREW, HEX - 1/2-13 X 2"	6			
2-18	32172199	HEAD, SECOND STAGE (HIGH PRESSURE)	1			
2-19	32252801	GASKET, HEAD - SECOND STAGE	1	1	1	2
2-20	REF.	ASSEMBLY, VALVE PLATE - SECOND STAGE (SEE FIGURE 3)	1		1	1
2-21	32252819	GASKET, SPACER PLATE - SECOND STAGE	2	2	2	4
2-22	32228280	PLATE, SPACER - SECOND STAGE	1			
2-23	32228272	PLATE, DISC - SECOND STAGE	1			
2-24	32252827	GASKET, VALVE PLATE - SECOND STAGE	1	1	1	2
2-25	95252409	PLUG, PIPE - HEX HEAD - 1/4"	2			
2-26	95035259	CAPSCREW, HEX - 5/16-18 X 3-3/4"	4			
2-27	95043188	LOCKWASHER, SPRING - 5/16"	4			
2-28	32174336	COVER, UNLOADER	2			
2-29	95026183	O-RING	2	2	2	4
2-30	32256257	ASSEMBLY, UNLOADER PISTON	2			
2-31	32254740	● SEAL, UNLOADER PISTON	1	2	2	4
2-32	32188385	● O-RING, UNLOADER PISTON	1	2	2	4
2-33	NSS	● PISTON, UNLOADER	1	1	1	2
2-34	95104188	CAPSCREW - HEX 1/2-13 X 1-3/4"	14			
2-35	95104279	CAPSCREW - HEX 1/2-13 X 4-1/4"	2			
2-36	32172207	HEAD, FIRST STAGE (LOW PRESSURE)	2			
2-37	32267502	GASKET, HEAD - FIRST STAGE	2	2	2	4
2-38	REF.	ASSEMBLY, VALVE PLATE - FIRST STAGE (SEE FIGURE 4)	2		1	2
2-39	32267510	GASKET, VALVE PLATE - FIRST STAGE	2	2	2	4
2-40	32109779	FILTER, INLET - COMPLETE	2			
2-41	32012957	● ELEMENT, FILTER - 10 MICRON	2	4	4	4

FIGURE 3. SECOND STAGE (HIGH PRESSURE) VALVE PLATE ASSEMBLY.



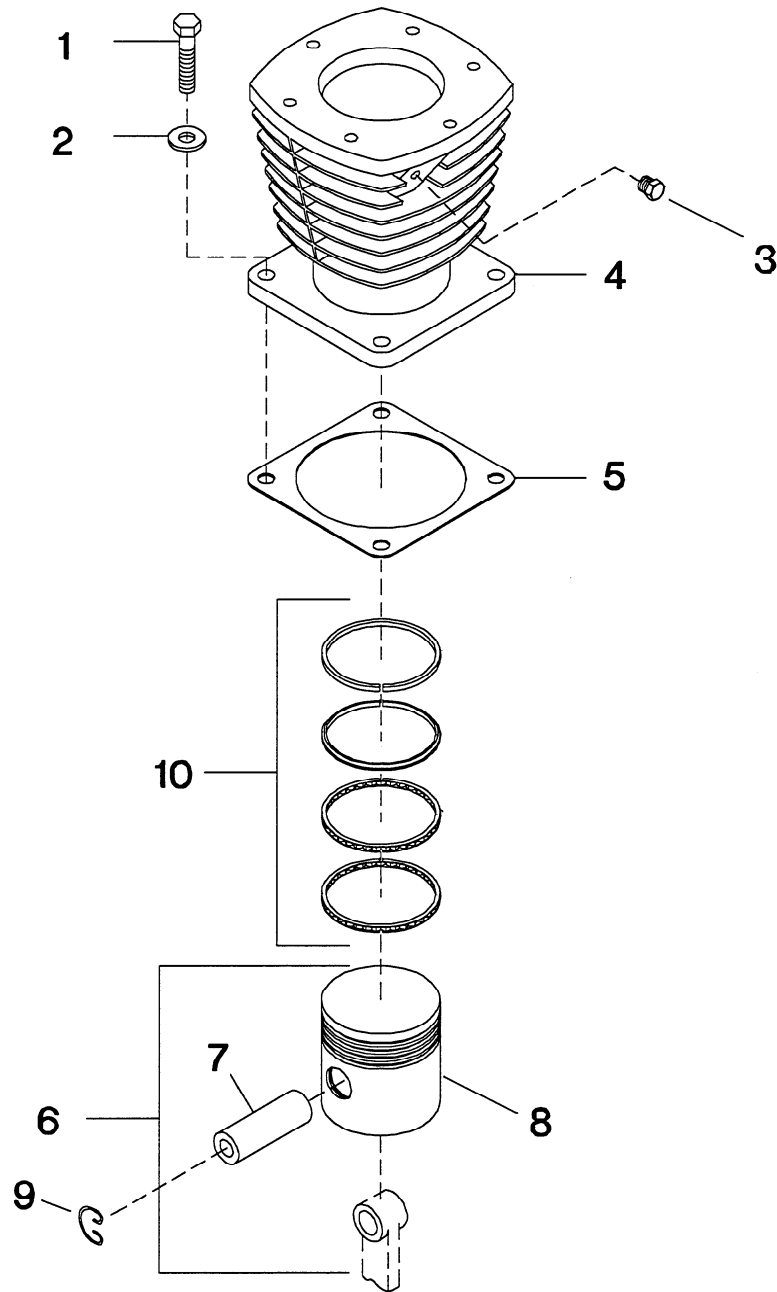
REF. NO.	PART NO.	DESCRIPTION	QTY.	SPARES		
				1	2	3
REF.	32228322	ASSEMBLY, SECOND STAGE VALVE PLATE	1		1	1
3-1	97166946	• NUT, WHIZ-LOCK - 7/16-14 HEX	1	1	1	1
3-2	32223927	• BOLT, VALVE	1	1	1	1
3-3	32228264	• PLATE, STOP - DISCHARGE	1			
3-4	30221394	• SPRING, VALVE - DISCHARGE	2	2	2	2
3-5	30215917	• PLATE, VALVE - DISCHARGE	1	1	1	1
3-6	32035511	• SCREW, FILLISTER HEAD - 1/4-20 X 3/8"	4	4	4	4
3-7	32224008	• SCREW, MACHINE - FILLISTER HEAD - 1/4-20 X 3/4"	1	1	1	1
3-8	95416335	• NUT, HEX - 1/4-20	1	1	1	1
3-9	32035479	• LOCKWASHER, SPRING - 1/4"	1	1	1	1
3-10	32223919	• DIFFUSER, VALVE PLATE	1			
3-11	32217382	• WASHER, BELLEVILLE - 1/4"	5	5	5	5
3-12	32228306	• RETAINER, FINGER VALVE	5	5	5	5
3-13	30220115	• VALVE, FINGER	5	5	5	5
3-14	32228256	• PLATE, VALVE SEAT	1			

FIGURE 4. FIRST STAGE (LOW PRESSURE) VALVE PLATE ASSEMBLY.



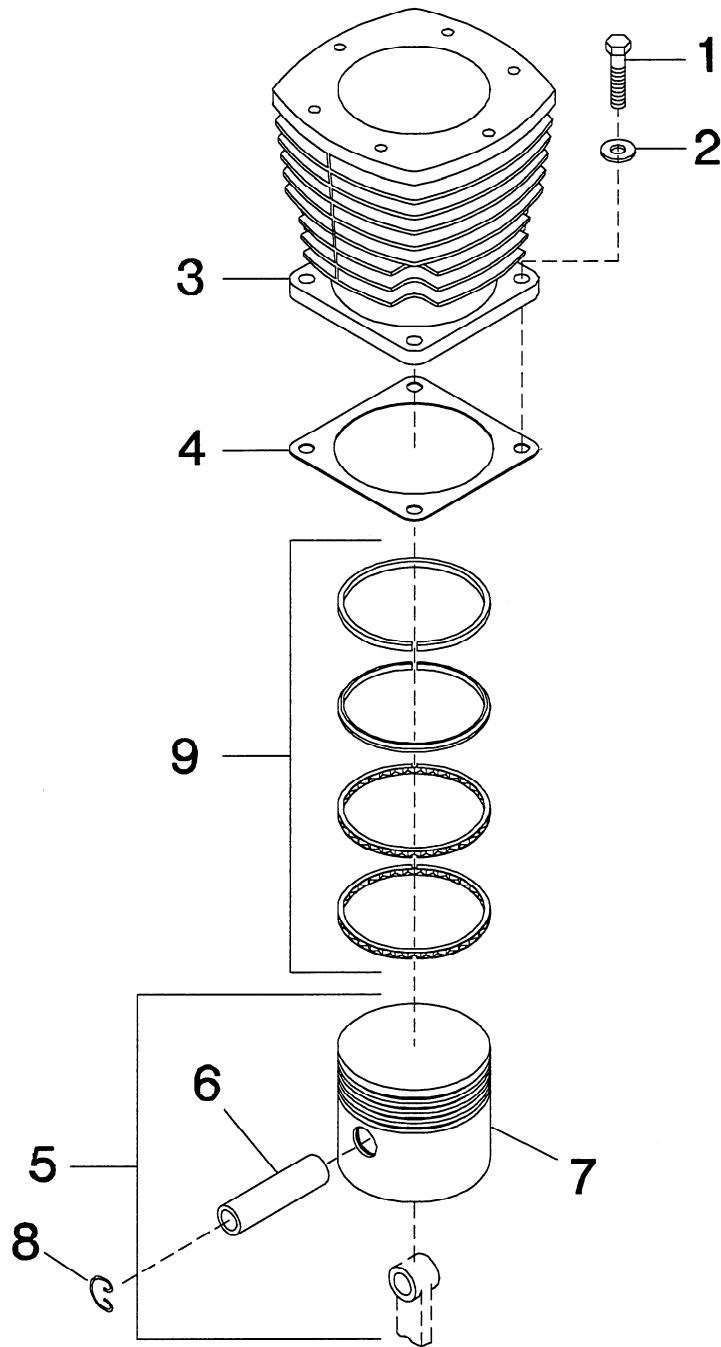
REF. NO.	PART NO.	DESCRIPTION	QTY.	SPARES		
				1	2	3
REF.	32228330	ASSEMBLY, FIRST STAGE VALVE PLATE	2		1	2
4-1	97166946	● NUT, WHIZ-LOCK - 7/16-14 HEX	1	1	2	2
4-2	32223927	● BOLT, VALVE	1	1	2	2
4-3	32228314	● PLATE, STOP - DISCHARGE	1			
4-4	30221501	● SPRING, VALVE - DISCHARGE	2	2	4	4
4-5	30181499	● PLATE, VALVE - DISCHARGE	1	1	2	2
4-6	32035511	● SCREW, FILLISTER HEAD - 1/4-20 X 3/8"	9	9	9	18
4-7	32217382	● WASHER, BELLEVILLE - 1/4"	9	9	9	18
4-8	30220115	● VALVE, FINGER	9	9	9	18
4-9	32228249	● PLATE, VALVE SEAT	1			

FIGURE 5. SECOND STAGE (HIGH PRESSURE) CYLINDER &amp; PISTON.



REF. NO.	PART NO.	DESCRIPTION	QTY.	SPARES		
				1	2	3
5-1	95053567	CAPSCREW, HEX HEAD - 1/2-13 X 1-1/4"	4			
5-2	95674701	WASHER, COPPER - 1/2"	4			
5-3	95252409	PLUG, PIPE - HEX HEAD - 1/4"	1			
5-4	32172165	CYLINDER, SECOND STAGE	1			
5-5	30294235	GASKET, FLANGE	1	1	1	2
5-6	32054520	ASSEMBLY, PISTON/PIN - 4"	1		1	1
5-7	37131695	• PIN, PISTON	1			
5-8	NSS	• PISTON - 4"	1			
5-9	30288450	RING, LOCK	2			
5-10	32194151	SET, RING - 4"	1	1	1	2

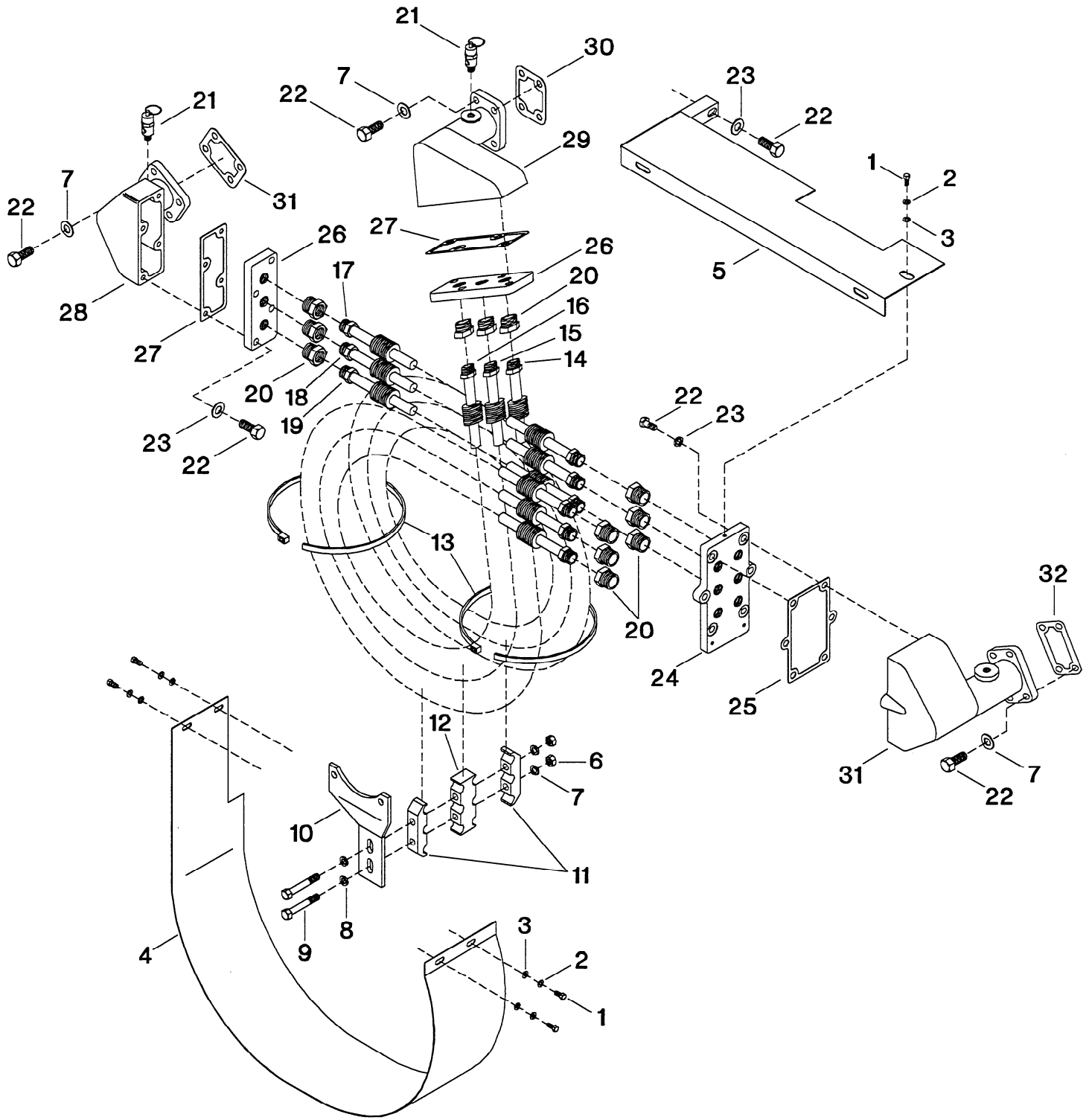
Figure 6. First Stage (Low Pressure) Cylinder &amp; Piston Assembly.



REF. NO.	PART NO.	DESCRIPTION	QTY.	SPARES		
				1	2	3
6-1	95053567	CAPSCREW, HEX HEAD - 1/2-13 X 1-1/4"	8			
6-2	95674701	WASHER, COPPER - 1/2"	8			
6-3	32172157	CYLINDER, FIRST STAGE	2			
6-4	30294235	GASKET, FLANGE	2	2	2	4
6-5	32054512	ASSEMBLY, PISTON/PIN - 5-1/2"	2		2	2
6-6	30288427	• PIN, PISTON	1			
6-7	NSS	• PISTON - 5-1/2"	1			
6-8	30288450	RING, LOCK	2			
6-9	32194144	SET, RING - 5-1/2"	2	2	2	4



FIGURE 7. INTERCOOLER & SHROUD ASSEMBLY.



REF. NO.	PART NO.	DESCRIPTION	QTY.	SPARES		
				1	2	3
7-1	95053070	CAPSCREW, HEX HEAD - 1/4-20 X 1/2"	5			
7-2	95043196	LOCKWASHER, SPRING - 1/4"	5			
7-3	95094298	WASHER, FLAT - 1/4"	5			
7-4	32177693	SHROUD, INTERCOOLER	1			
7-5	32180713	TOP, SHROUD	1			
7-6	95077764	NUT, HEX - 3/8-16	2			
7-7	95081857	LOCKWASHER, SPRING - 3/8"	14			
7-8	95069597	WASHER, FLAT - 3/8"	2			
7-9	95002895	CAPSCREW, HEX HEAD - 3/8-16 X 4"	2			
7-10	32175515	BRACKET, INTERCOOLER	1			
7-11	32165367	CLAMP, INTERCOOLER TUBE - OUTER	2			
7-12	32165383	CLAMP, INTERCOOLER TUBE - CENTER	1			
7-13	95370888	TIE, CABLE	2			
7-14	32197006	ASSEMBLY, INTERCOOLER TUBE - FINNED - #3	1		1	2
7-15	32196990	ASSEMBLY, INTERCOOLER TUBE - FINNED - #2	1		1	2
7-16	32196982	ASSEMBLY, INTERCOOLER TUBE - FINNED - #1	1		1	2
7-17	32196974	ASSEMBLY, INTERCOOLER TUBE - FINNED - #3	1		1	2
7-18	32196966	ASSEMBLY, INTERCOOLER TUBE - FINNED - #2	1		1	2
7-19	32196958	ASSEMBLY, INTERCOOLER TUBE - FINNED - #1	1		1	2
7-20	95083226	CONNECTOR, MALE - 5/8 X 1/2"	12			
7-21	72062185	VALVE, RELIEF - 80 PSIG	2			2
7-22	95079612	CAPSCREW, HEX HEAD - 3/8-16 X 1"	27			
7-23	95081857	LOCKWASHER, SPRING - 3/8"	15			
7-24	32180697	FLANGE, INTERCOOLER - HIGH PRESSURE	1			
7-25	32160566	GASKET, FLANGE - HIGH PRESSURE	1	1	1	2
7-26	32160475	FLANGE, INTERCOOLER - LOW PRESSURE	2			
7-27	32160558	GASKET, FLANGE - LOW PRESSURE	2	2	2	4
7-28	32160491	MANIFOLD, INTERCOOLER - #1 LOW PRESSURE	1			
7-29	32160509	MANIFOLD, INTERCOOLER - #2 LOW PRESSURE	1			
7-30	32153801	GASKET, MANIFOLD - LOW PRESSURE	2	2	2	4
7-31	32164519	MANIFOLD, INTERCOOLER - HIGH PRESSURE	1			
7-32	32153827	GASKET, MANIFOLD - HIGH PRESSURE	1	1	1	2