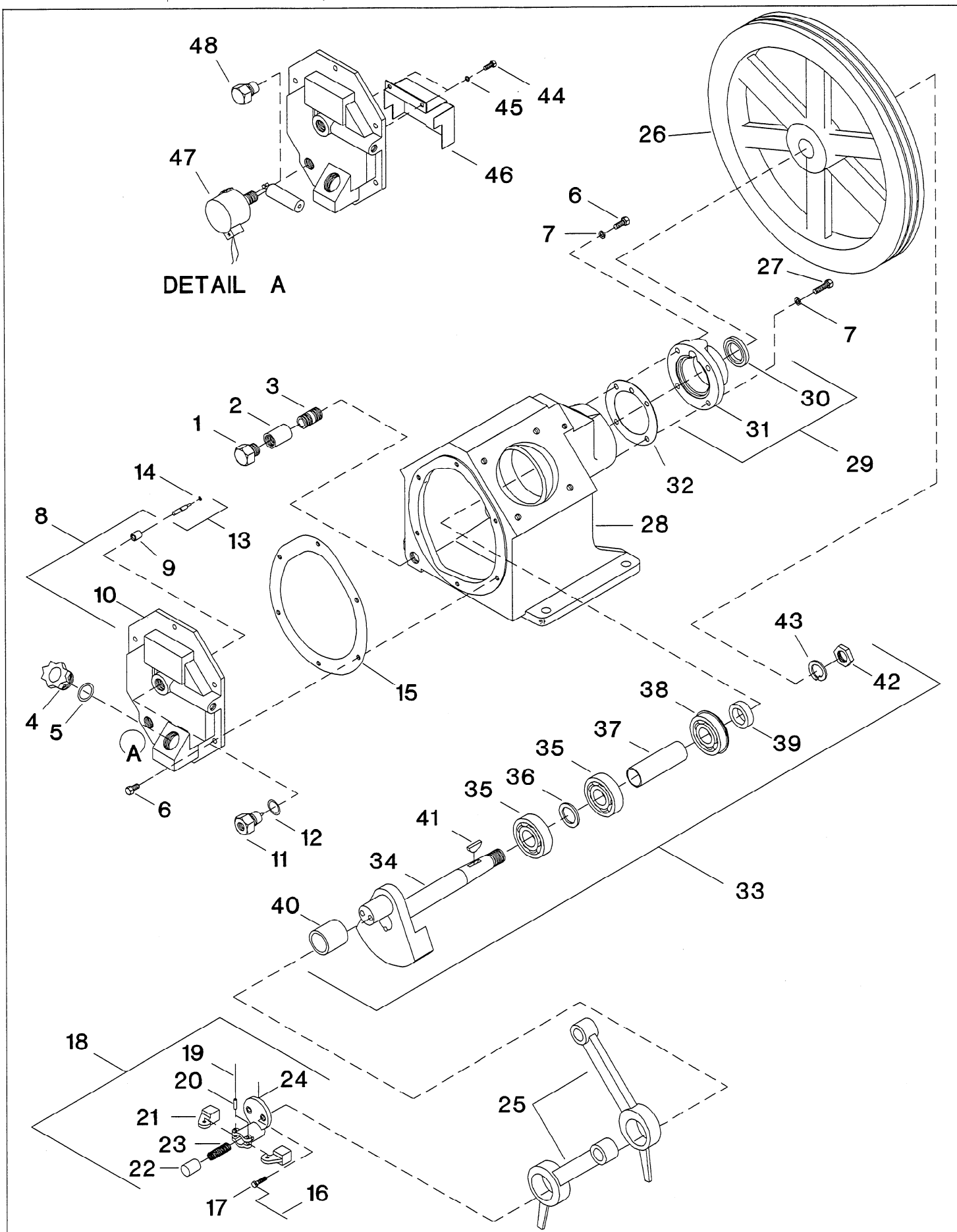
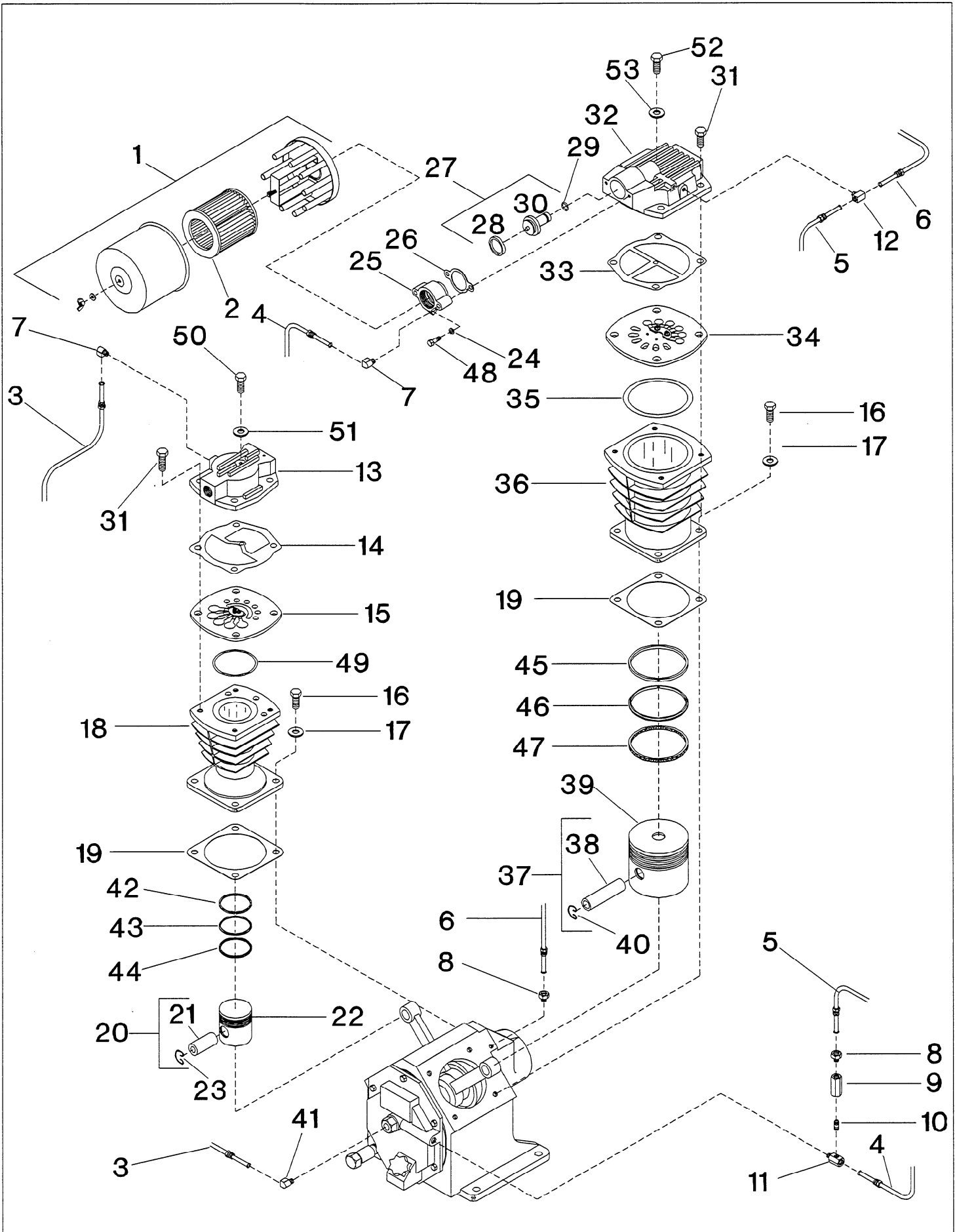


FIGURE 1. COMPRESSOR PUMP ASSEMBLY (VIEW 1).



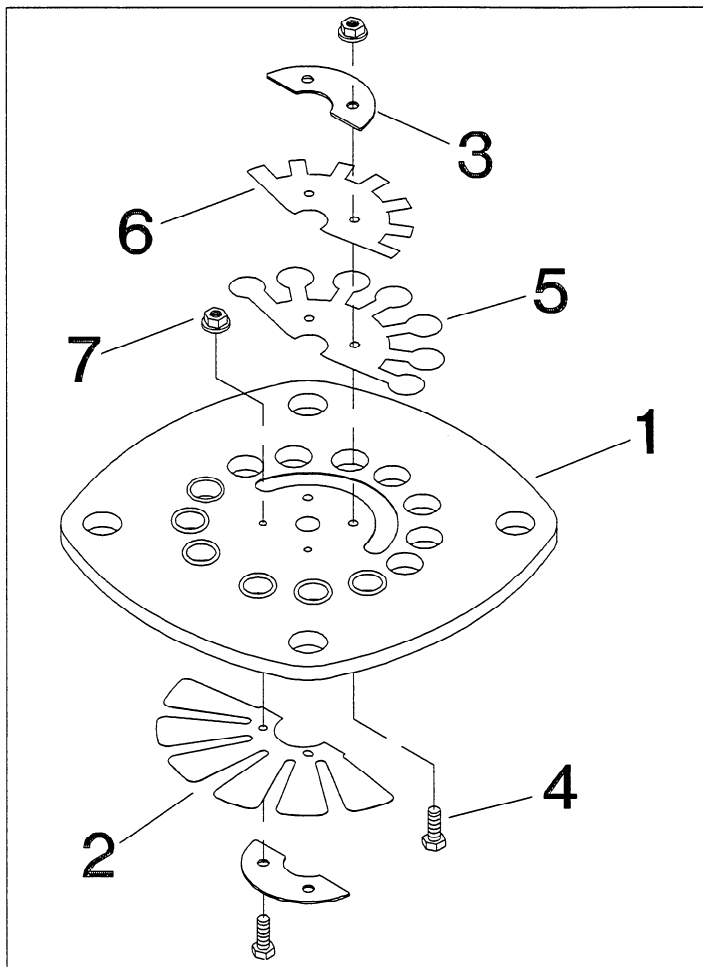
| REF. NO.        | PART NO. | DESCRIPTION   | QTY. | SPARES |   |   |
|-----------------|----------|---|------|--------|---|---|
|                 |          |   |      | 1      | 2 | 3 |
| 1-1             | 95344651 | PLUG, PIPE - HEX HEAD 1/2"                            | 1    |        |   |   |
| 1-2             | 32179061 | COUPLING, PIPE - 1/2"                                 | 1    |        |   |   |
| 1-3             | 95273330 | NIPPLE, PIPE  | 1    |        |   |   |
| 1-4             | 32247843 | PLUG, OIL FILL  | 1    |        |   |   |
| 1-5             | 32247850 | O-RING, OIL FILL PLUG                                 | 1    | 1      | 1 | 2 |
| 1-6             | 95105250 | CAPSCREW, HEX - 5/16-18X1"                            | 8    |        |   |   |
| 1-7             | 95674651 | WASHER, COPPER  | 2    |        |   |   |
| 1-8             | 32293938 | ASSEMBLY, FRAME END COVER                             | 1    |        |   |   |
| 1-9             | 37127057 | ● BUSHING, PILOT VALVE                                | 1    |        |   |   |
| 1-10            | NSS      | ● COVER, FRAME END                                    | 1    |        |   |   |
| 1-11            | 37113701 | VALVE, PILOT  | 1    |        |   |   |
| 1-12            | 30346597 | WASHER, COPPER - 7/8"                                 | 1    |        | 1 | 1 |
| 1-13            | 32028698 | ASSEMBLY, THRUST PIN                                  | 1    |        |   |   |
| 1-14            | 95210225 | ● O-RING, THRUST PIN                                  | 1    | 1      | 1 | 2 |
| 1-15            | 32294035 | GASKET, FRAME END COVER                               | 1    | 1      | 1 | 2 |
| 1-16            | 90799289 | LOCKWIRE, 12 GAUGE - 5"                               | 1    |        |   |   |
| 1-17            | 30278667 | CAPSCREW, LOCK - 3/8-16X7/8"                          | 2    |        |   |   |
| 1-18            | 30289110 | ASSEMBLY, CRANKPIN CAP                                | 1    |        |   |   |
| 1-19            | 32006587 | ● LOCKWIRE, 12 GAUGE - 4"                             | 1    |        |   |   |
| 1-20            | 30215008 | ● PIN, CENTRIFUGAL UNLOADER WEIGHT                    | 2    |        |   |   |
| 1-21            | 30221725 | ● WEIGHT, CENTRIFUGAL UNLOADER                        | 2    |        |   |   |
| 1-22            | 30216113 | ● PLUNGER, CENTRIFUGAL UNLOADER                       | 1    |        |   |   |
| 1-23            | 30416978 | ● SPRING, CENTRIFUGAL UNLOADER                        | 1    |        |   | 1 |
| 1-24            | 30210447 | ● BODY, CRANKPIN CAP                                  | 1    |        |   |   |
| 1-25            | 32198160 | ROD, CONNECTING                                       | 2    |        | 2 | 2 |
| 1-26            | 32496440 | BELTWHEEL   | 1    |        |   |   |
| 1-27            | 95079984 | CAPSCREW, HEX - 5/16-18X1-1/4"                        | 2    |        |   |   |
| 1-28            | 32203192 | FRAME, COMPRESSOR                                     | 1    |        |   |   |
| 1-29            | 32498008 | ASSEMBLY, SHAFT END COVER                             | 1    |        |   |   |
| 1-30            | 32497810 | ● SEAL, OIL   | 1    |        | 1 | 2 |
| 1-31            | NSS      | ● COVER, SHAFT END                                    | 1    |        |   |   |
| 1-32            | 32294027 | GASKET, SHAFT END COVER                               | 1    | 1      | 1 | 2 |
| 1-33            | 32294431 | ASSEMBLY, CRANKSHAFT                                  | 1    |        |   |   |
| 1-34            | NSS      | ● ASSEMBLY, DISC & SHAFT                              | 1    |        |   |   |
| 1-35            | 95200770 | ● BEARING, BALL                                       | 2    |        |   |   |
| 1-36            | 32203218 | ● SPACER, INNER BEARING                               | 1    |        |   |   |
| 1-37            | 32203226 | ● SPACER, OUTER BEARING                               | 1    |        |   |   |
| 1-38            | 95305546 | ● BEARING, BALL - WITH SNAP RING                      | 1    |        |   |   |
| 1-39            | 37127941 | ● RING, BEARING RETAINER                              | 1    |        |   |   |
| 1-40            | 30210165 | ● BUSHING, CRANKPIN                                   | 1    |        |   |   |
| 1-41            | 95433173 | ● KEY, WOODRUFF                                       | 1    |        |   |   |
| 1-42            | 95098315 | ● NUT, BELTWHEEL -7/8-14                              | 1    |        |   |   |
| 1-43            | 95043162 | ● LOCKWASHER, SPRING - 7/8"                           | 1    |        |   |   |
| <b>DETAIL A</b> |          |   |      |        |   |   |
| 1-44            | 95053070 | CAPSCREW, HEX - 1/4-20X1/2"                           | 2    |        |   |   |
| 1-45            | 95043196 | LOCKWASHER, SPRING - 1/4"                             | 2    |        |   |   |
| 1-46            | 32270654 | BAFFLE, LOW OIL LEVEL SWITCH                          | 1    |        |   |   |
| 1-47            | 32276313 | SWITCH, LOW OIL LEVEL                                 | 1    |        |   |   |
| 1-48            | 97330245 | OIL, SIGHTGLASS (IF LOW OIL LEVEL SWITCH IS NOT USED) | 1    |        |   |   |

FIGURE 2. COMPRESSOR PUMP ASSEMBLY (VIEW 2).

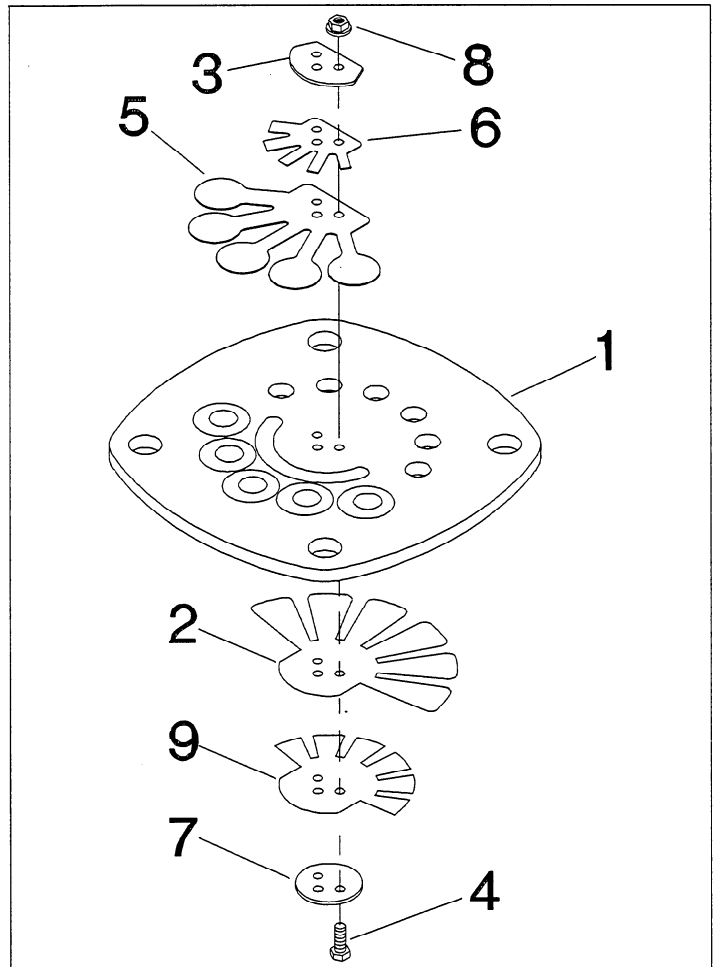


| REF. NO. | PART NO. | DESCRIPTION  | QTY. | SPARES |   |   |
|----------|----------|--|------|--------|---|---|
|          |          |  |      | 1      | 2 | 3 |
| 2-1      | 32230542 | FILTER, AIR INLET - COMPLETE                       | 1    |        |   |   |
| 2-2      | 32012957 | ● ELEMENT, FILTER - 10 MICRON                      | 1    | 1      | 1 | 1 |
| 2-3      | 32293953 | ASSEMBLY, TUBE - PILOT VALVE/HIGH PRESSURE HEAD    | 1    |        |   |   |
| 2-4      | 32201444 | ASSEMBLY, TUBE - FRAME END COVER TEE/INLET         | 1    |        |   |   |
| 2-5      | 32293961 | ASSEMBLY, TUBE - FEC CHECK VALVE/LOW PRESSURE HEAD | 1    |        |   |   |
| 2-6      | 32293946 | ASSEMBLY, TUBE - BREATHER                          | 1    |        |   |   |
| 2-7      | 95031860 | ELBOW, TUBE - 5/16X1/8"                            | 2    |        |   |   |
| 2-8      | 95082483 | CONNECTOR, TUBE - 5/16X1/8"                        | 2    |        |   |   |
| 2-9      | 32001141 | VALVE, CHECK                                       | 1    |        |   |   |
| 2-10     | 95796017 | NIPPLE, CLOSE - 1/8X3/4"                           | 1    |        |   |   |
| 2-11     | 32203242 | CONNECTOR, MALE - 5/16X1/4"                        | 1    |        |   |   |
| 2-12     | 95007522 | TEE, MALE BRANCH - 5/16X1/8"                       | 1    |        |   |   |
| 2-13     | 32294084 | HEAD, HIGH PRESSURE                                | 1    |        |   |   |
| 2-14     | 32294043 | GASKET, HEAD - HIGH PRESSURE                       | 1    | 1      | 1 | 2 |
| 2-15     | 32293904 | ASSEMBLY, VALVE PLATE - HIGH PRESSURE (SEE FIG. 4) | 1    |        |   |   |
| 2-16     | 95053567 | CAPSCREW, HEX - 1/2-13X1-1/4"                      | 8    |        |   |   |
| 2-17     | 95674701 | GASKET, COPPER WASHER - 1/2"                       | 8    |        |   |   |
| 2-18     | 32295248 | CYLINDER - 2-3/4" - 2ND STAGE                      | 1    |        |   |   |
| 2-19     | 32294019 | GASKET, FLANGE                                     | 2    | 2      | 2 | 4 |
| 2-20     | 32496614 | COMPLETE, PISTON/PIN - HIGH PRESSURE               | 1    |        | 1 | 1 |
| 2-21     | 32182818 | ● PIN, PISTON                                      | 1    |        |   |   |
| 2-22     | NSS      | ● PISTON - 2-3/4"                                  | 1    |        |   |   |
| 2-23     | 30287791 | ● RING, LOCK                                       | 2    |        |   |   |
| 2-24     | 95043188 | LOCKWASHER, SPRING - 5/16"                         | 2    |        |   |   |
| 2-25     | 32230633 | COVER, UNLOADER                                    | 1    |        |   |   |
| 2-26     | 32182826 | GASKET, UNLOADER COVER                             | 1    | 1      |   |   |
| 2-27     | 32256265 | ASSEMBLY, PISTON UNLOADER                          | 1    | 1      | 1 | 2 |
| 2-28     | 32254740 | ● SEAL, UNLOADER PISTON                            | 1    | 1      | 1 | 2 |
| 2-29     | 32188385 | ● O-RING, UNLOADER PISTON                          | 1    | 1      | 1 | 2 |
| 2-30     | NSS      | ● PISTON, UNLOADER                                 | 1    |        |   |   |
| 2-31     | 95104188 | CAPSCREW, HEX - 1/2-13X1-3/4"                      | 8    |        |   |   |
| 2-32     | 32499899 | HEAD - LOW PRESSURE                                | 1    |        |   |   |
| 2-33     | 32294050 | GASKET, HEAD - LOW PRESSURE                        | 1    | 1      | 1 | 2 |
| 2-34     | 32293912 | ASSEMBLY, VALVE PLATE - LOW PRESSURE (SEE FIG. 3)  | 1    |        |   |   |
| 2-35     | 32294076 | O-RING, VALVE PLATE                                | 1    | 1      | 1 | 2 |
| 2-36     | 32295271 | CYLINDER - 5" - 1ST STAGE                          | 1    |        |   |   |
| 2-37     | 32496580 | COMPLETE, PISTON/PIN - LOW PRESSURE                | 1    | 1      | 1 | 2 |
| 2-38     | 30297022 | ● PIN, PISTON                                      | 1    |        |   |   |
| 2-39     | NSS      | ● PISTON, LOW PRESSURE (5")                        | 1    |        |   |   |
| 2-40     | 30287791 | ● RING, LOCK                                       | 2    |        | 1 | 1 |
| 2-41     | 95110441 | ELBOW, 5/16X1/4" TUBE                              | 1    |        |   |   |
| 2-42     | 32294167 | SET, HIGH PRESSURE (2.75") PISTON RINGS            | 1    |        |   |   |
| 2-43     | 32294175 | RING, SCRAPER (2.75")                              | 1    |        |   |   |
| 2-44     | 32295792 | RING, OIL CONTROL (2.75")                          | 1    |        |   |   |
| 2-45     | 32294209 | SET, LOW PRESSURE (5") PISTON RINGS                | 1    |        |   |   |
| 2-46     | 32294217 | RING, SCRAPER (5")                                 | 1    |        |   |   |
| 2-47     | 32295784 | RING, OIL CONTROL (5")                             | 1    |        |   |   |
| 2-48     | 95079927 | CAPSCREW, 5/16-18X1-3/4" HEX HEAD                  | 2    |        |   |   |
| 2-49     | 32294068 | O-RING, HIGH PRESSURE VALVE PLATE                  | 1    | 1      | 1 | 2 |
| 2-50     | 95318978 | CAPSCREW, 1/4-28X2-1/4" HEX HEAD                   | 1    |        |   |   |
| 2-51     | 95674677 | WASHER, 3/8" COPPER                                | 1    |        |   |   |
| 2-52     | 32294373 | CAPSCREW, 3/8-24X3-1/2" HEX HEAD                   | 1    |        |   |   |
| 2-53     | 32255903 | WASHER, 1/4" COPPER                                | 1    |        |   |   |

**FIGURE 3. LOW PRESSURE (FIRST STAGE) VALVE PLATE ASSEMBLY.**



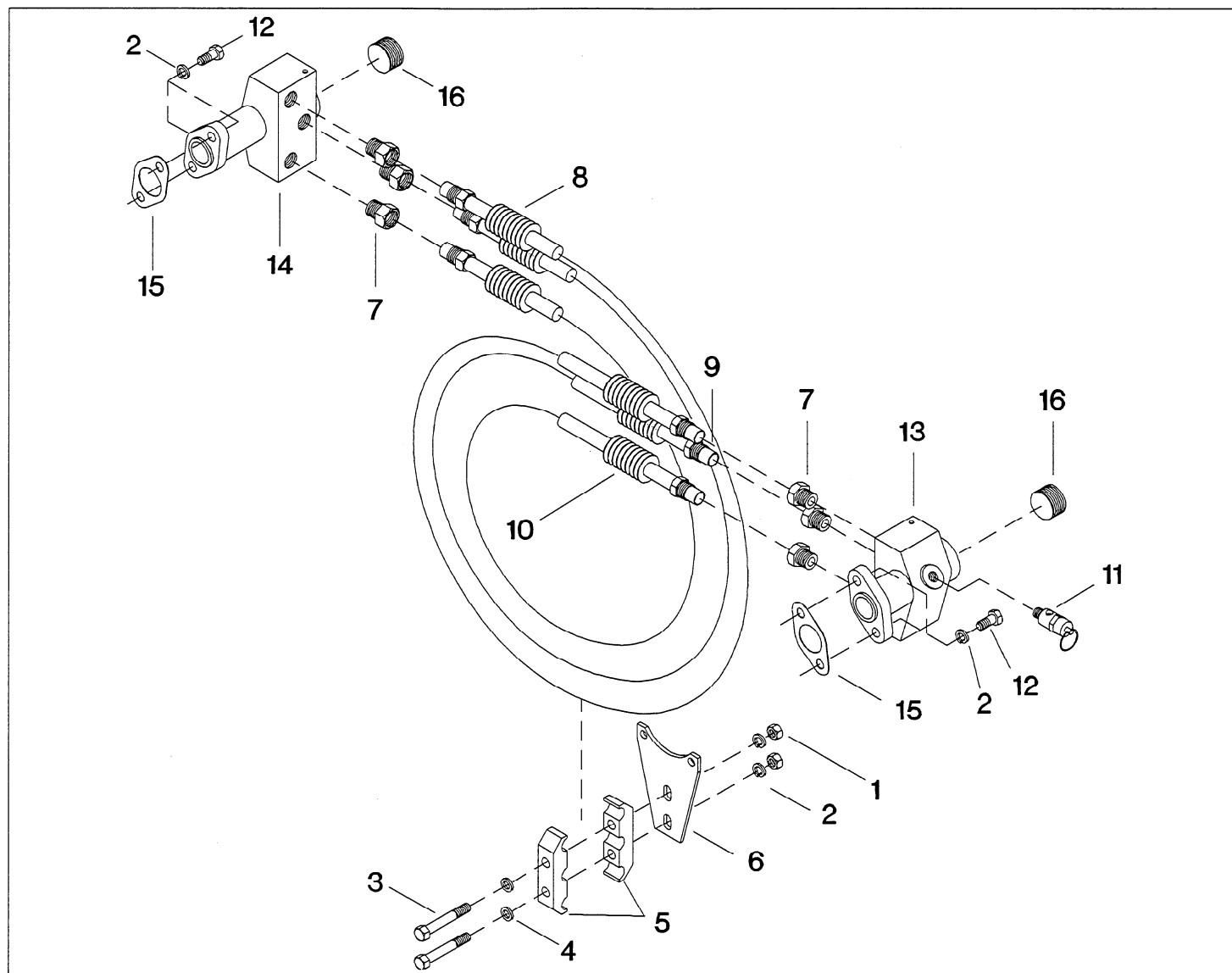
**FIGURE 4. HIGH PRESSURE (SECOND STAGE) VALVE PLATE ASSEMBLY.**



| REF. NO. | PART NO. | DESCRIPTION                                      | QTY. | SPARES |   |   |
|----------|----------|--|------|--------|---|---|
|          |          |  |      | 1      | 2 | 3 |
| REF.     | 32293912 | ASSEMBLY, LOW PRESSURE (5") VALVE PLATE          | 1    |        |   |   |
| 3-1      | 32294274 | PLATE, LOW PRESSURE VALVE                        | 1    |        |   |   |
| 3-2      | 32294324 | VALVE, LOW PRESSURE INTAKE FINGER                | 1    |        |   |   |
| 3-3      | 32294340 | RETAINER, LOW PRESSURE INTAKE & DISCHARGE VALVES | 2    |        |   |   |
| 3-4      | 32247512 | SCREW, M4X12 HEX HEAD                            | 4    |        |   |   |
| 3-5      | 32294332 | VALVE, LOW PRESSURE DISCHARGE FINGER             | 1    |        |   |   |
| 3-6      | 32294365 | DAMPER, LOW PRESSURE DISCHARGE VALVE             | 1    |        |   |   |
| 3-7      | 32248171 | NUT, M4 HEX                                      | 4    |        |   |   |

| REF. NO. | PART NO. | DESCRIPTION                                 | QTY. | SPARES |   |   |
|----------|----------|---|------|--------|---|---|
|          |          |   |      | 1      | 2 | 3 |
| REF.     | 32293904 | ASSEMBLY, HIGH PRESSURE (2.75") VALVE PLATE | 1    |        |   |   |
| 4-1      | 32294266 | PLATE, HIGH PRESSURE VALVE                  | 1    |        |   |   |
| 4-2      | 32294282 | VALVE, HIGH PRESSURE INTAKE FINGER          | 1    |        |   |   |
| 4-3      | 32294316 | RETAINER, HIGH PRESSURE DISCHARGE VALVE     | 1    |        |   |   |
| 4-4      | 97511042 | SCREW, M3X16 HEX HEAD                       | 3    |        |   |   |
| 4-5      | 32294290 | VALVE, HIGH PRESSURE DISCHARGE              | 1    |        |   |   |
| 4-6      | 32294357 | DAMPER, HIGH PRESSURE DISCHARGE VALVE       | 1    |        |   |   |
| 4-7      | 32294308 | RETAINER, HIGH PRESSURE INTAKE VALVE        | 1    |        |   |   |
| 4-8      | 97511059 | NUT, M3 HEX WITH LOCKWASHER                 | 3    |        |   |   |
| 4-9      | 32295826 | DAMPER, VALVE                               | 1    |        |   |   |

FIGURE 5. INTERCOOLER ASSEMBLY.



| REF. NO. | PART NO. | DESCRIPTION                          | QTY. | SPARES |   |   |
|----------|----------|--------------------------------------|------|--------|---|---|
|          |          |                                      |      | 1      | 2 | 3 |
| Ref.     | 32188666 | ASSEMBLY, INTERCOOLER                | 1    |        |   |   |
| 5-1      | 95077764 | NUT, HEX - 3/8-16                    | 2    |        |   |   |
| 5-2      | 95081857 | LOCKWASHER, SPRING - 3/8"            | 6    |        |   |   |
| 5-3      | 95079646 | CAPSCREW, HEX - 3/8-16X2-1/2"        | 2    |        |   |   |
| 5-4      | 95069597 | WASHER, FLAT - 3/8"                  | 2    |        |   |   |
| 5-5      | 32294159 | CLAMP, INTERCOOLER                   | 2    |        |   |   |
| 5-6      | 32294142 | BRACKET, INTERCOOLER CLAMP           | 1    |        |   |   |
| 5-7      | 95083226 | CONNECTOR, MALE - 5/8X1/2"           | 6    |        |   |   |
| 5-8      | 32211708 | ASSEMBLY, TUBE - #3 INTERCOOLER      | 1    |        | 1 | 2 |
| 5-9      | 32211690 | ASSEMBLY, TUBE - #2 INTERCOOLER      | 1    |        | 1 | 2 |
| 5-10     | 32211682 | ASSEMBLY, TUBE - #1 INTERCOOLER      | 1    |        | 1 | 2 |
| 5-11     | 72062185 | VALVE, RELIEF - 80 PSIG              | 1    |        |   | 2 |
| 5-12     | 95468443 | CAPSCREW, HEX - 3/8-16X1"            | 4    |        |   |   |
| 5-13     | 32185787 | MANIFOLD, HEAD - LP                  | 1    |        |   |   |
| 5-14     | 32185795 | MANIFOLD, HEAD - HP                  | 1    |        |   |   |
| 5-15     | 32188377 | GASKET, MANIFOLD                     | 2    | 2      | 2 | 4 |
| 5-16     | 95101457 | PLUG, PIPE - SQUARE COUNTERSUNK - 1" | 2    |        |   |   |